



**COMMERCIAL VEHICLE AUCTIONS LTD**  
THE UK'S MOST ESTABLISHED COMMERCIAL VEHICLE AUCTIONEERS

Carr Hill Industrial Estate  
Doncaster  
DN4 8DE

01302 732600 | [cva.noreply@cva-auctions.co.uk](mailto:cva.noreply@cva-auctions.co.uk)

# VEHICLE INSPECTION REPORT

**DK17LGE**

## Man TGS 26.360

Inspection		Vehicle	
Serious Damage?	No	VAT	Plus VAT
		V5	Present

Details					
Reg. date	30/03/2017	Colour	BLUE	Cab Type	DAY CAB
Year	2017	VIN	WMA18SZZ0HP083798	Gearbox	MANUAL
Mileage	259,899 Km Warranted	Body Style	Dropside & Crane	Axle Combi	6x2
Fuel Type	Diesel	MOT Due	Expired	Rear Suspension	Air

HMF 1420-K2 REMOTE CRANE (YEAR 2017), KINSHOFFER BRICK GRAB, REAR LIFT, SURROUND CAMERA SYSTEM, REAR VIEW CAMERA, SERVICE SCHEDULE LIST AVAILABLE

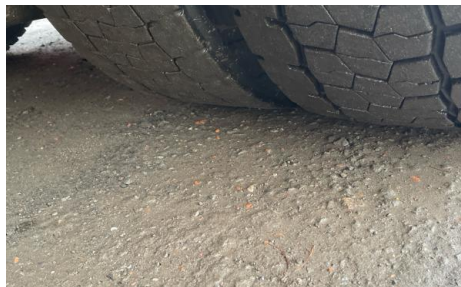
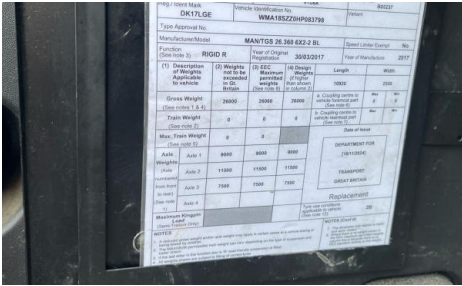
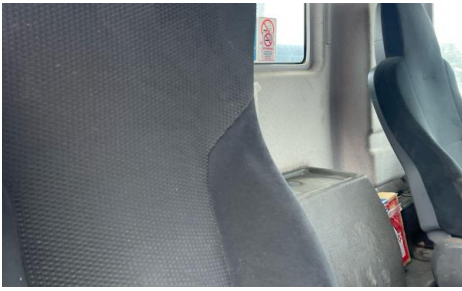
Tyres				
NSF	NSI1	NSI2	NSI3	NSI4
OSF	OSI1	OSI2	OSI3	OSI4
Spare	NSO1	NSO2	NSO3	NSO4
	OSO1	OSO2	OSO3	OSO4

## Features

- Radio/CD

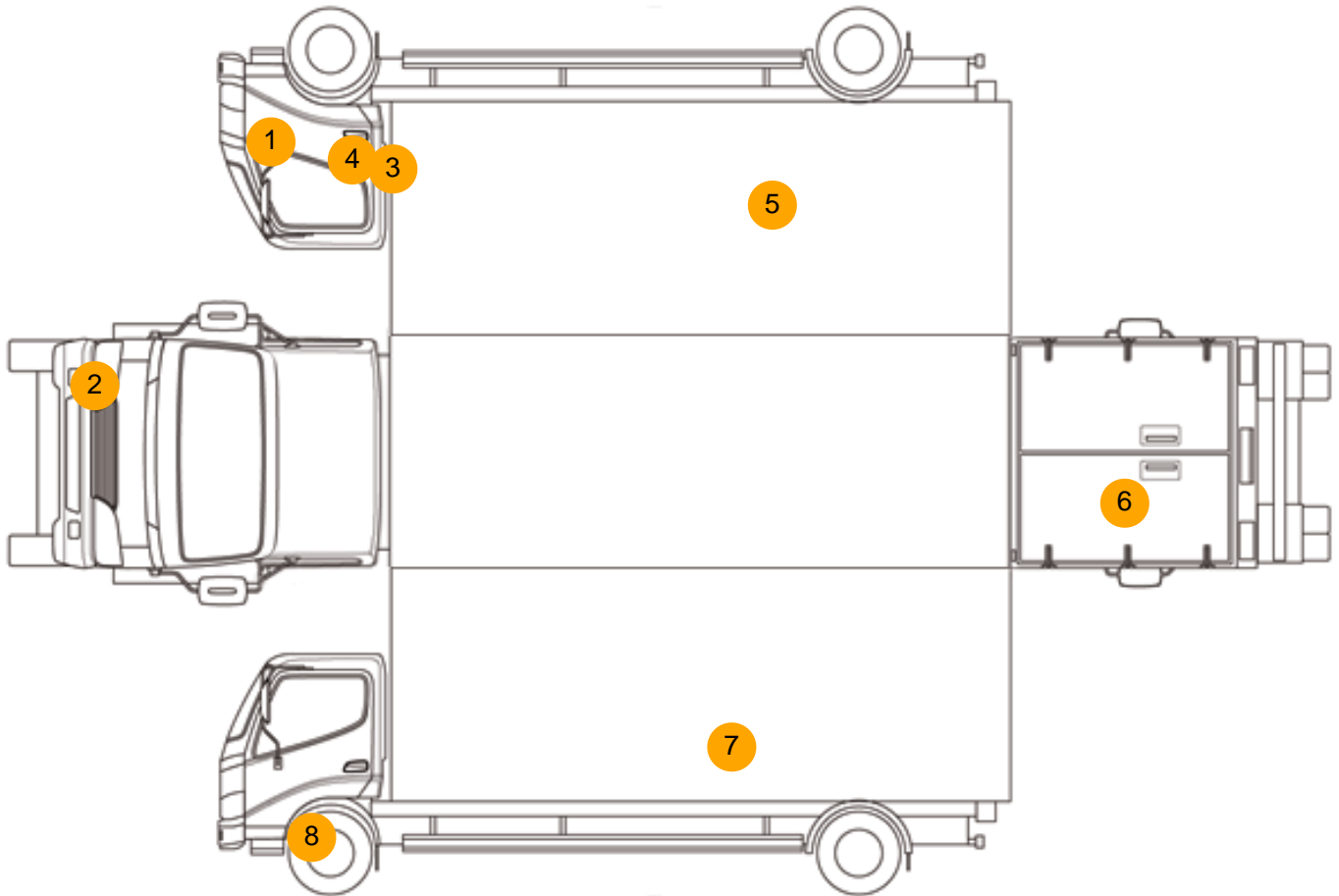
## Photos







## Condition Check



## Damage Photos



1: Wing ofsf  
Chipped  
1 To 5

2: Bumper Front Moulding  
Scuffed (Unpainted)  
Over 100mm



3: Door osf  
Dented  
Over 2 UpTo 10mm

4: Door Moulding osf  
Scuffed (Unpainted)  
Over 100mm



5: Qtr Panel osr  
Dented  
With Paint Damage

6: Tailgate  
Rusted  
Over 5mm



7: Qtr Panel nsr  
Dented  
With Paint Damage

8: Door Moulding nsf  
Scuffed (Unpainted)  
Over 100mm

**Interior**

<b>Carpet Condition</b>	Average	<b>Upholstery Condition</b>	Average
<b>Seat Condition</b>	Average	<b>Odour</b>	-
Engine Runs	OK	Gearbox 1st and Reverse Test	OK
Brakes	OK	Clutch Slip Test from Static	OK
Turbo Boosting	OK	Gearbox Static Gear Selection (engine running)	OK
Parking Brake	OK	No Excessive Smoking	OK
EML light illuminated	OK	Oil warning light illuminated	OK
Airbag light illuminated	OK	DPF light illuminated	OK
ABS light illuminated	OK	Service indicator light illuminated	OK
Windows	OK	Radio	OK
		Steering	OK