



COMMERCIAL VEHICLE AUCTIONS LTD
THE UK'S MOST ESTABLISHED COMMERCIAL VEHICLE AUCTIONEERS

Carr Hill Industrial Estate
Doncaster
DN4 8DE

01302 732600 | cva.noreply@cva-auctions.co.uk

VEHICLE INSPECTION REPORT

2625589

Iveco Eurocargo 120E21

Inspection

Serious Damage? No

Vehicle

VAT Plus VAT

V5 Buyer To Apply

Details

Reg. date	01/09/2014	VIN	ZCFAF1EF302625589	Axle Combi	4x2
Year	2014	Body Style	Box Van	Rear Suspension	Steel
Mileage	182,870 Km Warranted	MOT Due	28/02/2027	Rear Doors	Roller
Fuel Type		Cab Type	DAY CAB	Tail Lift	Column
Colour	WHITE	Gearbox	AUTOMATIC		

MOD654 FORM T/F

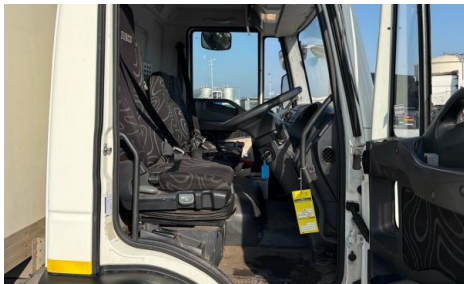
Tyres

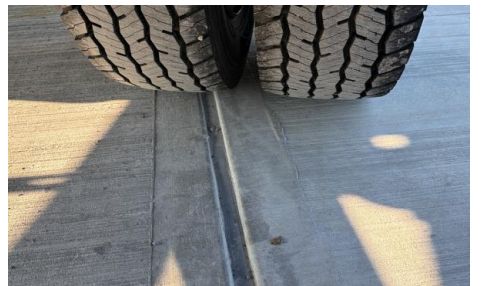
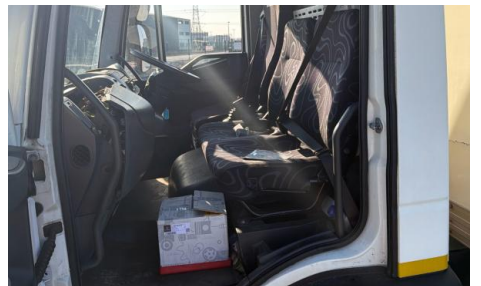
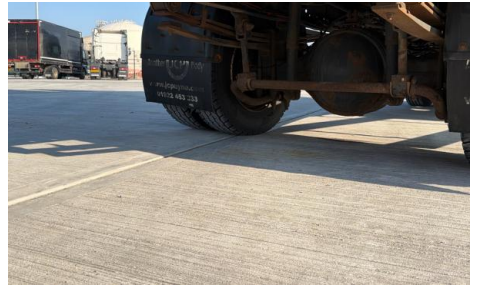
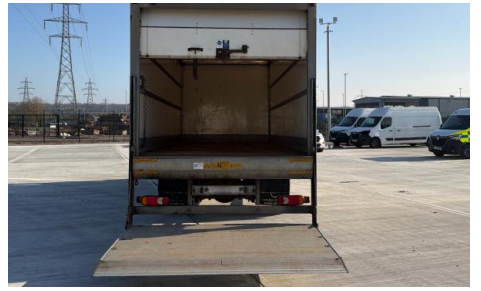
NSF	NSI1	NSI2	NSI3	NSI4
OSF	OSI1	OSI2	OSI3	OSI4
Spare	NSO1	NSO2	NSO3	NSO4
	OSO1	OSO2	OSO3	OSO4

Features

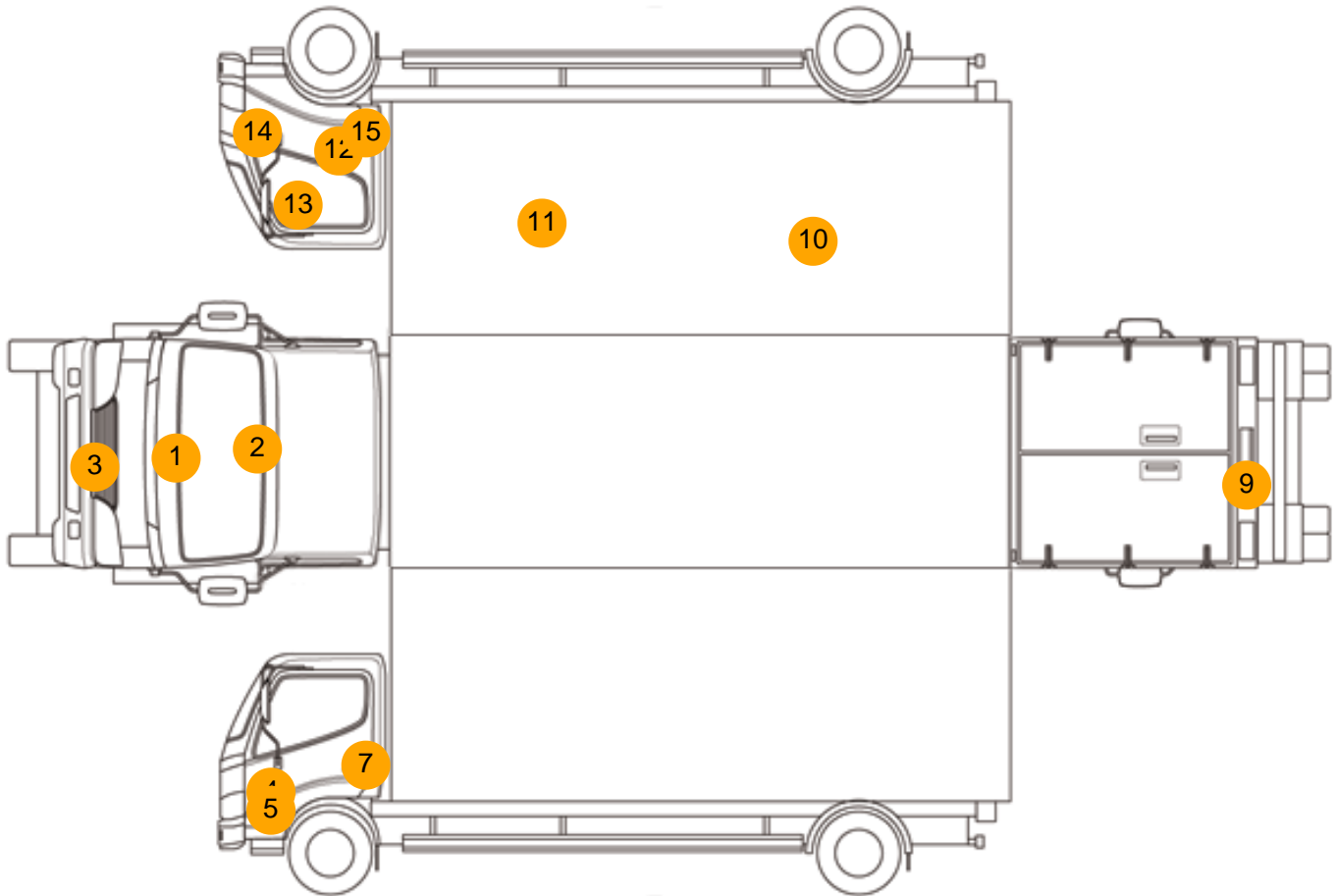
- Radio/CD
- Air conditioning
- Front electric windows
- Central locking
- Cloth seat trim

Photos





Condition Check



Damage Photos



1: Bonnet
Chipped
Multiple Chips

2: Screen Front
Chipped
Over 10mm



3: Number Plate Front
Missing
Replace

4: Moulding nsf Wing
Scratched (Painted)
Over 25mm Thru Paint



5: Wing nsf
Scratched
Over 25mm Thru Paint

6: A Post ns
Scratched
Over 25mm Thru Paint



7: Door nsf
Scratched
Over 25mm Thru Paint

8: Panel Front
Cracked
Replace



9: Door nsr
Dented
With Paint Damage

10: Qtr Panel osr
Scratched
Over 25mm Thru Paint



11: Qtr Panel osr
Scratched
Over 25mm Thru Paint

12: Door osf
Chipped
Multiple Chips



13: Door Mirror Assy osf
Scuffed (Unpainted)
Over 100mm

14: Moulding osf Wing
Scratched (Painted)
Over 25mm Thru Paint



15: Qtr Panel Arch Extension os
Broken
Replace

16: Centre Console Front
Broken
Replace



17: Dash Warning Lights
Displayed
No Action

Interior

Carpet Condition	OK	Upholstery Condition	OK
Seat Condition	OK	Odour	-
Engine Runs	OK	No Excessive Smoking	OK
Brakes	OK		
Parking Brake	OK		
EML light illuminated	OK	DPF light illuminated	OK
ABS light illuminated	OK		