



COMMERCIAL VEHICLE AUCTIONS LTD
THE UK'S MOST ESTABLISHED COMMERCIAL VEHICLE AUCTIONEERS

Carr Hill Industrial Estate
Doncaster
DN4 8DE

01302 732600 | cva.noreply@cva-auctions.co.uk

VEHICLE INSPECTION REPORT

DK67VVP

Man TGM 18.250

Inspection		Vehicle	
Serious Damage?	No	VAT	Plus VAT
		V5	Present

Details

Reg. date	22/12/2017	Colour	BLUE	Cab Type	DAY CAB
Year	2017	VIN	WMAN08ZZ0JY368271	Gearbox	AUTOMATIC
Mileage	215,318 Km Warranted	Body Style	Dropside & Crane	Rear Suspension	Steel
Fuel Type	Diesel	MOT Due	31/10/2026		

HMF 1420K REMOTE CRANE (YEAR 2017), SERVICE SCHEDULE LIST AVAILABLE

Tyres

NSF	NSI1	NSI2	NSI3	NSI4
OSF	OSI1	OSI2	OSI3	OSI4
Spare	NSO1	NSO2	NSO3	NSO4
	OSO1	OSO2	OSO3	OSO4

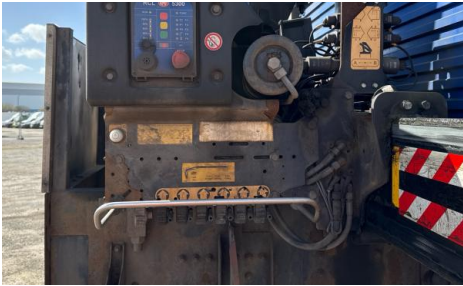
Features

- Bluetooth connection
- Front electric windows
- Cruise control
- Central locking
- Park assist camera
- Cloth seat trim
- Digital radio

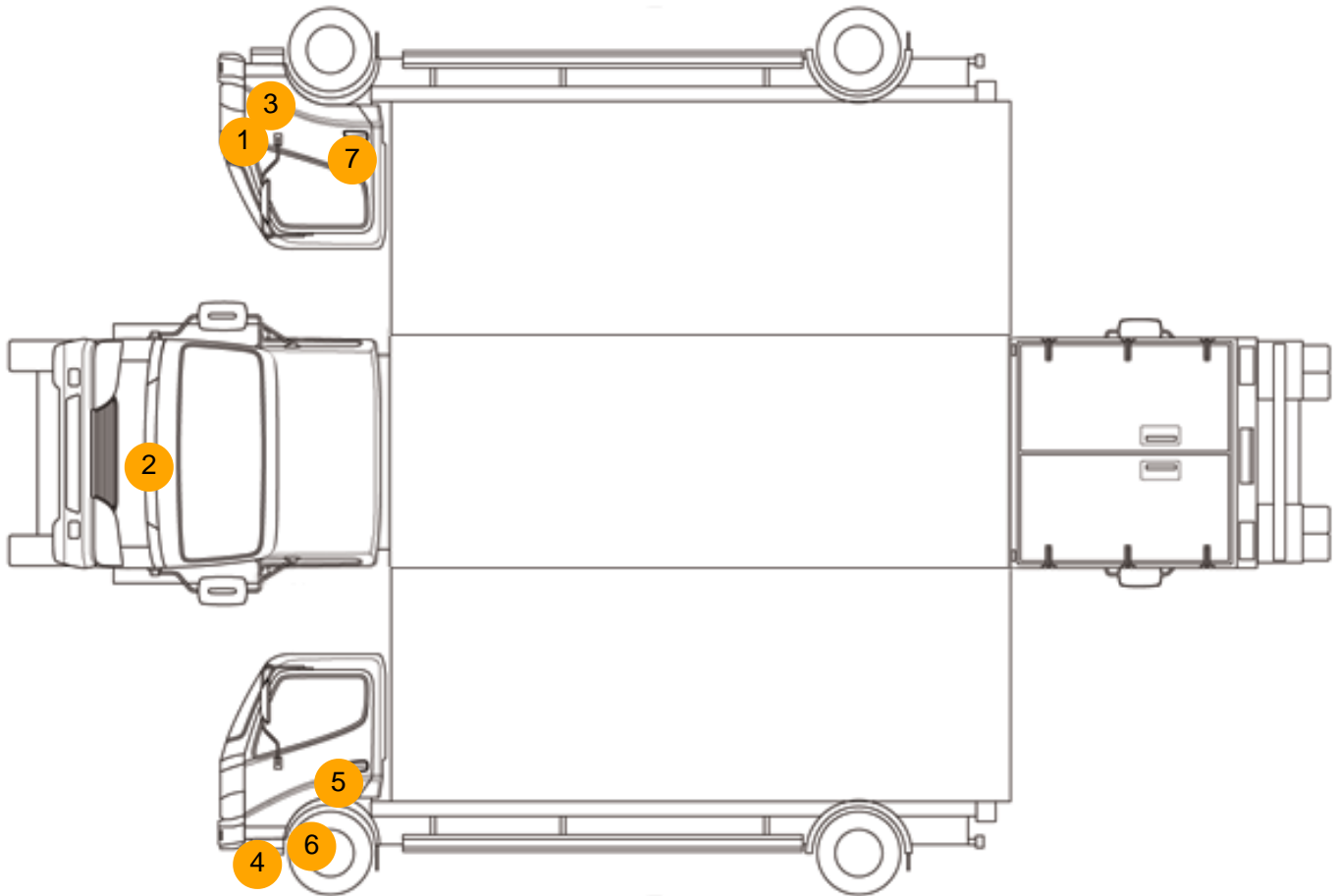
Photos







Condition Check



Damage Photos



1: Panel Front
Scratched
Over 25mm Thru Paint



2: Bonnet
Chipped
Multiple Chips



3: Bumper Front
Scratched
Over 100mm Thru Paint

4: Bumper Front
Scratched
Over 100mm Thru Paint



5: Door nsf
Dented
With Paint Damage

6: Wing nsf
Scratched
Over 25mm Thru Paint



7: Door osf
Scratched
Over 25mm Thru Paint

8: Door Pad osf
Broken
Replace



9: Seat Base Cover of
 Holed
 Over 3mm

Interior

Carpet Condition	OK	Upholstery Condition	Poor
Seat Condition	Poor	Odour	-
Engine Runs	OK	No Excessive Smoking	OK
EML light illuminated	OK	DPF light illuminated	OK
ABS light illuminated	OK		