



COMMERCIAL VEHICLE AUCTIONS LTD
THE UK'S MOST ESTABLISHED COMMERCIAL VEHICLE AUCTIONEERS

Carr Hill Industrial Estate
Doncaster
DN4 8DE

01302 732600 | cva.noreply@cva-auctions.co.uk

VEHICLE INSPECTION REPORT

BJ64EYK

Iveco Daily 70C17

Inspection		Vehicle	
Serious Damage?	No	VAT	Plus VAT
		V5	Present

Details					
Reg. date	06/10/2014	Colour	WHITE	Cab Type	DAY CAB
Year	2014	VIN	ZCFC70C110D503985	Gearbox	MANUAL
Mileage	83,506 Km Warranted	Body Style	MOBILE WORKSHOP	Axle Combi	4x2
Fuel Type	Diesel	MOT Due	31/12/2026	Rear Suspension	Steel

ML125 SWING LIFT

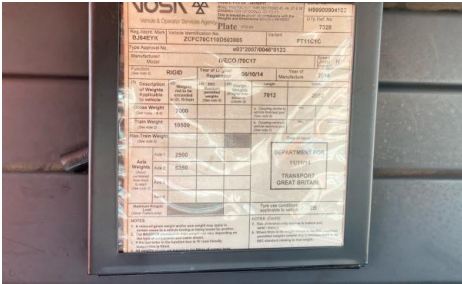
Tyres				
NSF	NSI1	NSI2	NSI3	NSI4
OSF	OSI1	OSI2	OSI3	OSI4
Spare	NSO1	NSO2	NSO3	NSO4
	OSO1	OSO2	OSO3	OSO4

Features

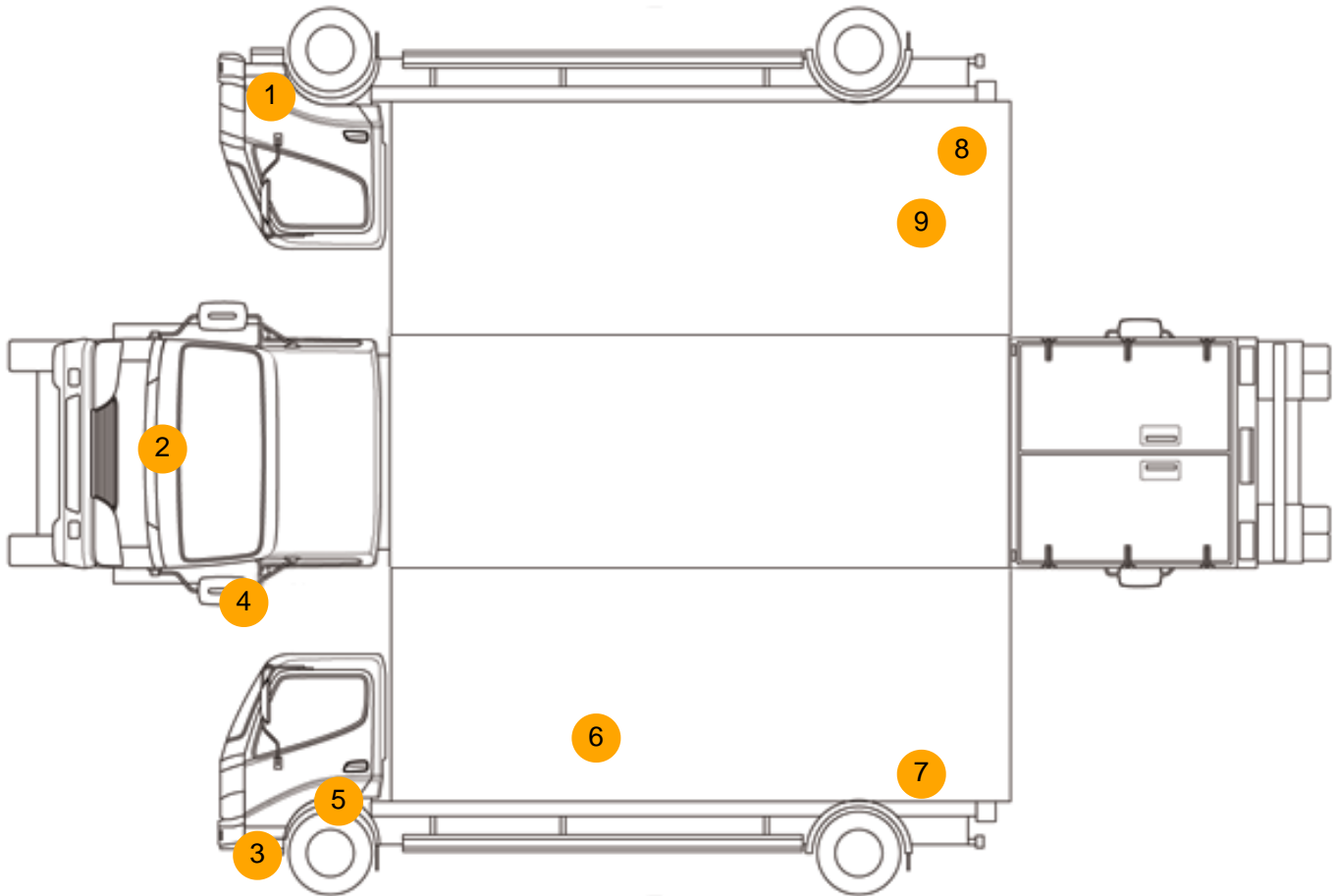
- Rear parking sensor
- Radio/CD
- Front electric windows
- Drivers airbag
- Passenger airbag
- Central locking
- Cloth seat trim

Photos





Condition Check



Damage Photos



1: Bumper Front
Scratched
Over 100mm Thru Paint



2: Bonnet
Chipped
Multiple Chips



3: Bumper Front
Scratched
Over 100mm Thru Paint

4: Door Mirror Assy nsf
Scuffed (Unpainted)
UpTo 100mm



5: Door nsf
Scratched
Over 25mm Thru Paint

6: Qtr Panel nsr
Dented
Over 30mm



7: Qtr Panel nsr
Scratched
Over 25mm Thru Paint

8: Qtr Panel Moulding os
Scuffed (Unpainted)
Over 100mm



9: Qtr Panel osr
Dented
With Paint Damage

Interior

Carpet Condition	OK	Upholstery Condition	OK
Seat Condition	OK	Odour	-
Engine Runs	OK	No Excessive Smoking	OK
EML light illuminated	OK	DPF light illuminated	OK
ABS light illuminated	OK		