



**COMMERCIAL VEHICLE AUCTIONS LTD**  
THE UK'S MOST ESTABLISHED COMMERCIAL VEHICLE AUCTIONEERS

Carr Hill Industrial Estate  
Doncaster  
DN4 8DE

01302 732600 | cva.noreply@cva-auctions.co.uk

# VEHICLE INSPECTION REPORT

**DL16UNY**

## Ford Transit Custom 270 2.2 TDCi 125ps Limited

**Non Runner**

### Inspection

Serious Damage? No

### Vehicle

VAT Plus VAT

V5 Buyer To Apply

### Details

Reg. date 31/05/2016

Year 2016

Mileage 248,459 Miles Not Warranted

Fuel Type Diesel

GVW 2700kg

Colour WHITE

VIN WF0YXXTTGYGA06263

Body Style Panel Van L1

MOT Due Expired

CAP Clean £1,825.00

CAP Average £1,475.00

CAP Below £1,150.00

Gearbox MANUAL

Gears 6

\*NON RUNNER - WILL NOT TURN OVER\* E/MIRRORS

### Tyres

NSF

NSR

OSF

OSR

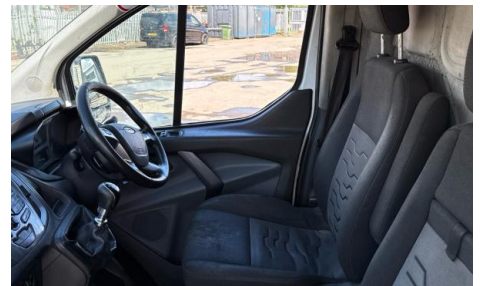
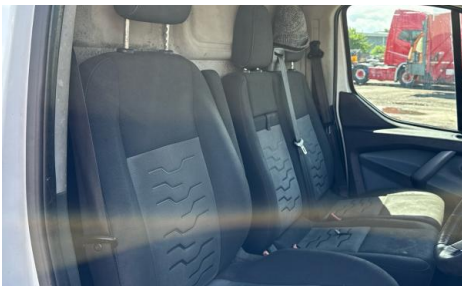
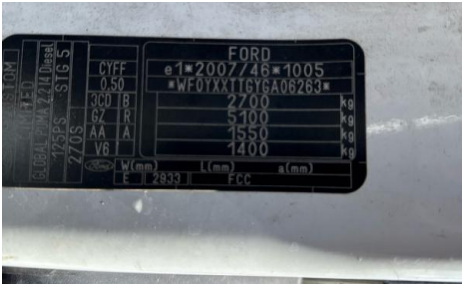
Spare

## Features

- Bluetooth connection
- Digital radio
- Passenger airbag
- Cruise control
- Air conditioning
- Central locking
- Rear parking sensor
- Front electric windows
- Cloth seat trim
- Auxiliary input socket
- Drivers airbag

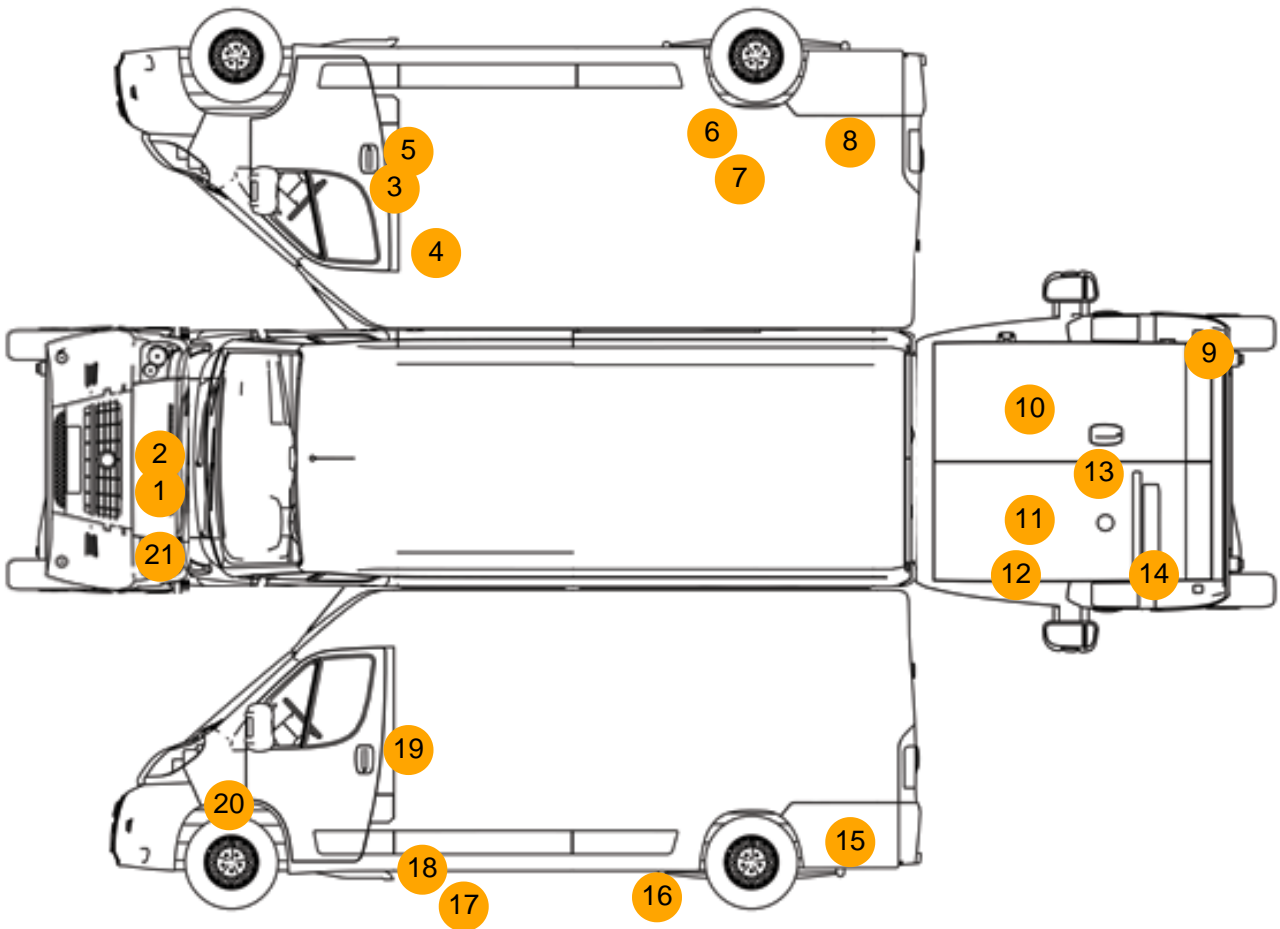
## Photos







## Condition Check



## Damage Photos



1: Bonnet  
Chipped  
Multiple Chips

2: Bonnet  
Chipped  
Multiple Chips



3: Handle Outer osf  
Scratched (Painted)  
UpTo 25mm Thru Paint

4: Door osf  
Chipped  
Edge Chip



5: Door osf  
Chipped  
Edge Chip

6: Panel Rear  
Dented  
With Paint Damage



7: Panel Rear  
Scratched  
Rusted

8: Bumper Rear  
Insecure  
Action Required



9: Bumper Rear  
Scratched  
Over 100mm Thru Paint

10: Door osr  
Chipped  
Multiple Chips



11: Door nsr  
Dented  
With Paint Damage

12: Door nsr  
Scratched  
Over 25mm Thru Paint



13: Door nsr  
Dented  
Over 30% Of Panel

14: Door nsr  
Dented  
With Paint Damage



15: Bumper Rear  
Insecure  
Action Required

16: Sill ns  
Chipped  
Multiple Chips



17: Sill ns  
Chipped  
Multiple Chips

18: Sill Panel Trim ns  
Missing  
Replace



19: Door nsf  
Scratched  
UpTo 25mm Thru Paint

20: Bumper Front  
Insecure  
Action Required



21: Bumper Front  
 Scratched  
 UpTo 25mm Thru Paint

**Interior**

<b>Carpet Condition</b>	Average		<b>Upholstery Condition</b>	Average
<b>Seat Condition</b>	Average		<b>Odour</b>	No
Engine Runs		Fault	Gearbox 1st and Reverse Test	Fault
Brakes		Fault	Clutch Slip Test from Static	Fault
Turbo Boosting		Fault	Gearbox Static Gear Selection (engine running)	Fault
Parking Brake		Fault	No Excessive Smoking	Fault
EML light illuminated		OK	Oil warning light illuminated	OK
Airbag light illuminated		OK	DPF light illuminated	OK
ABS light illuminated		OK	Service indicator light illuminated	OK
Windows		OK	Radio	OK
			Steering	OK