



COMMERCIAL VEHICLE AUCTIONS LTD
THE UK'S MOST ESTABLISHED COMMERCIAL VEHICLE AUCTIONEERS

Carr Hill Industrial Estate
Doncaster
DN4 8DE

01302 732600 | cva.noreply@cva-auctions.co.uk

VEHICLE INSPECTION REPORT

KO19JFJ

Vauxhall Vivaro 2700 1.6CDTI 120PS Sportive

Non Runner

Inspection

Serious Damage? No

Vehicle

VAT Plus VAT

V5 Buyer To Apply

Details

Reg. date	05/07/2019	Colour	BLACK	CAP Average	£3,525.00
Year	2019	VIN	W0VF7G608KV630186	CAP Below	£2,525.00
Mileage	123,363 Miles Not Warranted	Body Style	Panel Van L1	Gearbox	MANUAL
Fuel Type	Diesel	MOT Due	Expired	Gears	6
GVW	2800kg	CAP Clean	£4,287.00		

NON RUNNER - NO CLUTCH, WARNING LIGHTS ON DASH E/MIRRORS, AD-BLUE

Tyres

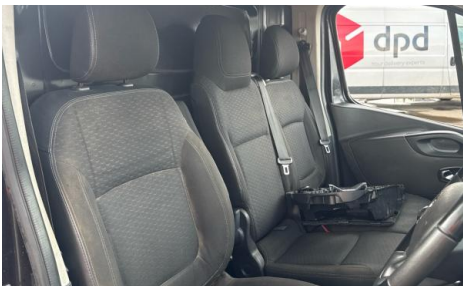
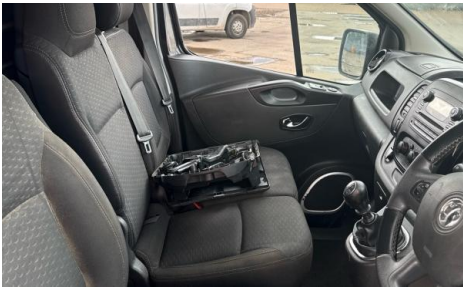
NSF
NSR
OSF
OSR
Spare

Features

- Bluetooth connection
- Digital radio
- Central locking
- Cruise control
- Air conditioning
- Cloth seat trim
- Rear parking sensor
- Front electric windows
- Auxiliary input socket
- Drivers airbag

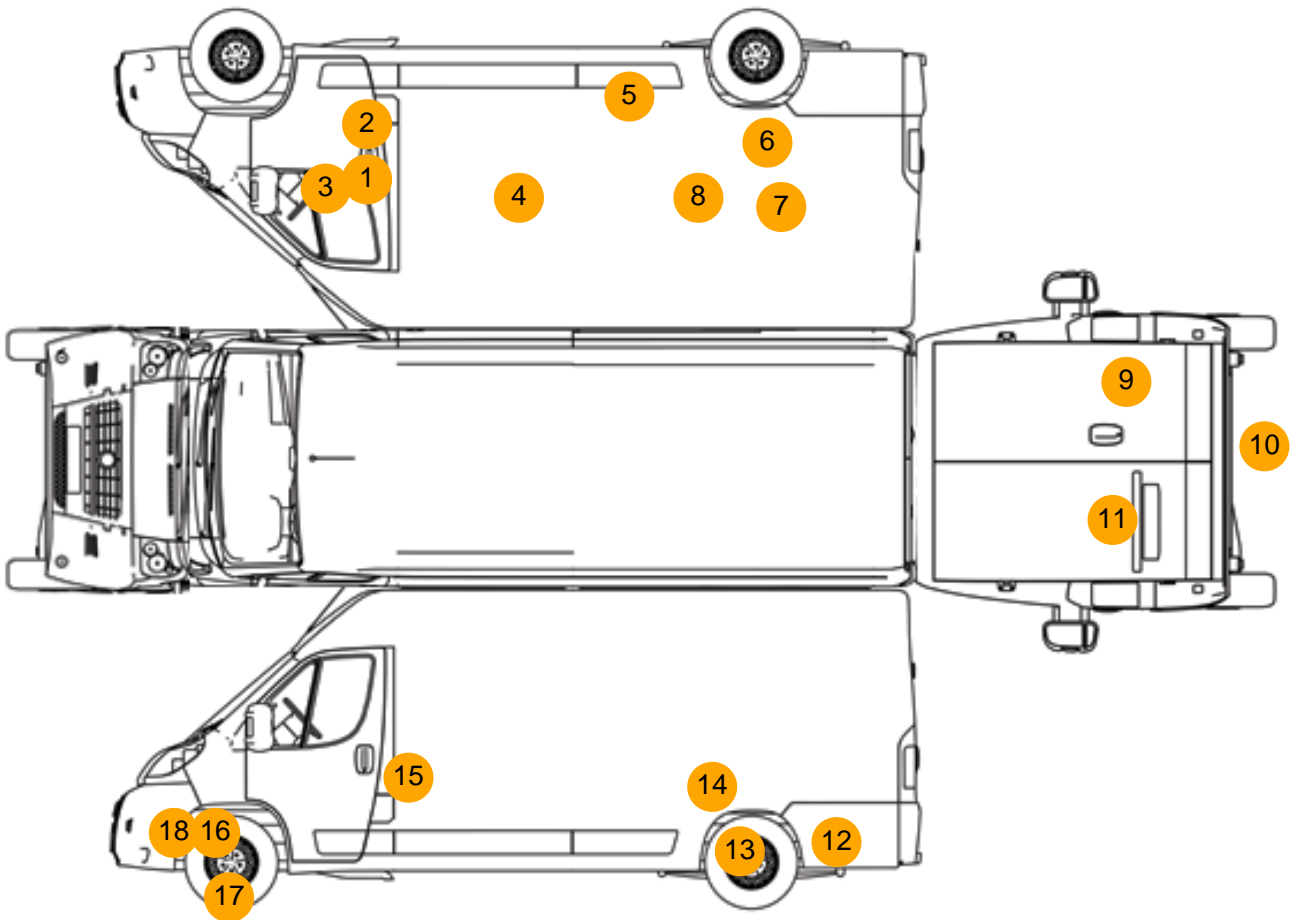
Photos







Condition Check



Damage Photos



1: Door osr
Scratched
Over 25mm Not Thru Paint

2: Door osf
Scratched
Over 25mm Not Thru Paint



3: Door osf
Chipped
Multiple Chips

4: Panel Rear
Dented
Hail - Severe



5: Panel Rear
Scratched
Over 25mm Thru Paint

6: Panel Rear
Scratched
Over 25mm Thru Paint



7: Panel Rear
Scratched
Over 25mm Not Thru Paint

8: Panel Rear
Dented
Hail - Severe



9: Door osr
Scratched
UpTo 25mm Thru Paint

10: Bumper Rear Moulding
Broken
Replace



11: Door nsr
Dented
With Paint Damage

12: Panel Rear
Scratched
Over 25mm Thru Paint



13: Panel Rear
Scratched
Over 25mm Thru Paint

14: Qtr Panel nsr
Scratched
Over 25mm Thru Paint



15: Door nsf
Chipped
Edge Chip

16: Bumper Front
Insecure
Action Required



17: Bumper Front
Cracked
Over 25mm

18: Bumper Front
Scratched
25 to 100mm Thru Paint



19: Seat Base Cover osf
Torn
Over 3mm

Interior

Carpet Condition	Average	Upholstery Condition	Average
Seat Condition	Poor	Odour	-
Engine Runs	OK	Gearbox 1st and Reverse Test	OK
Brakes	OK	Clutch Slip Test from Static	OK
Turbo Boosting	OK	Gearbox Static Gear Selection (engine running)	Fault
Parking Brake	OK	No Excessive Smoking	OK
EML light illuminated	Fault	Oil warning light illuminated	OK
Airbag light illuminated	OK	DPF light illuminated	OK
ABS light illuminated	OK	Service indicator light illuminated	Fault
Windows	OK	Radio	OK
		Steering	OK