



COMMERCIAL VEHICLE AUCTIONS LTD
THE UK'S MOST ESTABLISHED COMMERCIAL VEHICLE AUCTIONEERS

Carr Hill Industrial Estate
Doncaster
DN4 8DE

01302 732600 | cva.noreply@cva-auctions.co.uk

VEHICLE INSPECTION REPORT

HX23YMH

Mercedes-Benz Atego 1223

Inspection		Vehicle	
Serious Damage?	No	VAT	Plus VAT
		V5	Present

Details

Reg. date	24/04/2023	Colour	WHITE	Cab Type	DAY CAB
Year	2023	VIN	W1T96700520638191	Gearbox	AUTOMATIC
Mileage	42,619 Km Warranted	Body Style	Pole Erection Unit	Axle Combi	4x2
Fuel Type	Diesel	MOT Due	31/05/2026	Rear Suspension	Steel

PALFINGER PK 9.501 SLD REMOTE CRANE (YEAR 2023) (1 EXT), AUTOGUIDE 48414 AUGER ATTACHMENT (YEAR 2023)

Tyres

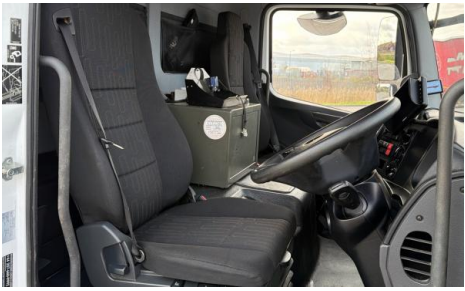
NSF	NSI1	NSI2	NSI3	NSI4
OSF	OSI1	OSI2	OSI3	OSI4
Spare	NSO1	NSO2	NSO3	NSO4
	OSO1	OSO2	OSO3	OSO4

Features

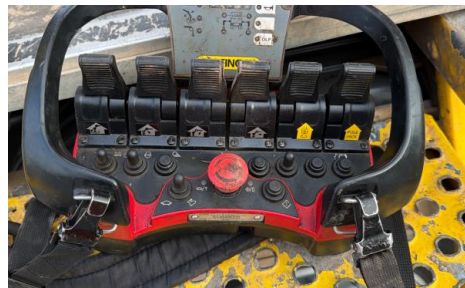
- Bluetooth connection
- Digital radio
- Cruise control
- Front electric windows
- Park assist camera
- Central locking
- Auxiliary input socket
- Cloth seat trim

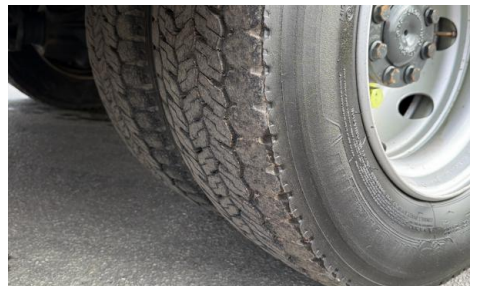
Photos



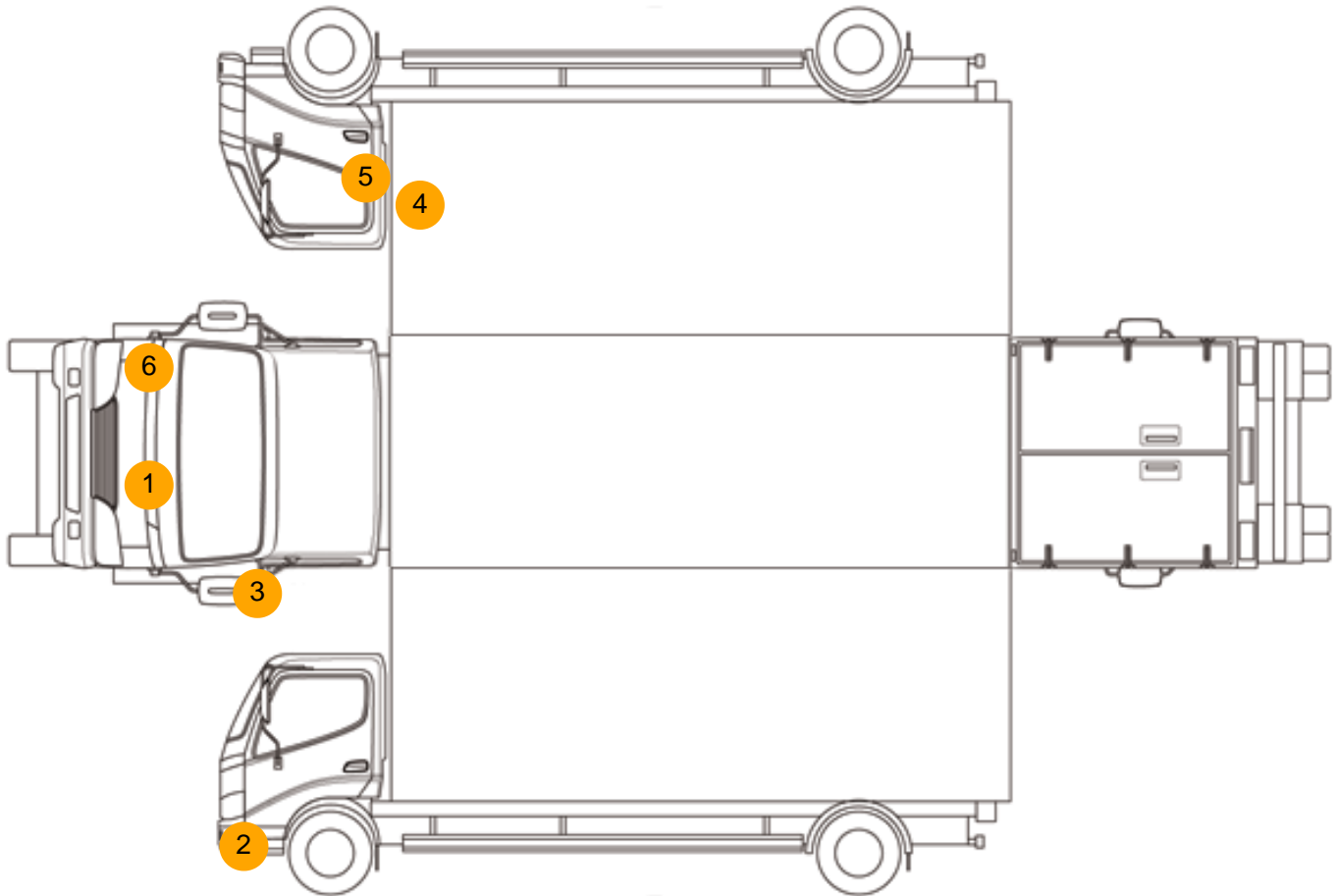


Mercedes/ATEGO		Year of Original Registration	Speed Limiter Control	Max. Weight
RIGID		24/04/2023	40	3500
(1) Description of Weights Applicable to vehicle	(2) Weights not to be Exceeded in Gt. Britain	(3) ETC Maximum Permitted Weights (See Note 2)	(4) Change (Weights Higher than shown in Column 3)	(5) Coupling centre to vehicle nearest axle (See Note 7)
Gross Weight (See notes 1 & 4)	11900	11900	11900	
Train Weight (See note 7)	15490	15490	15490	
Max. Train Weight (See note 5)				
Axle Weights (Axle numbered from front to rear)	Axle 1: 4900	Axle 2: 8100	Axle 3: 8100	Axle 4: 8100





Condition Check



Damage Photos



1: Bonnet
Chipped
Multiple Chips

2: Bumper Front
Scratched
Over 100mm Thru Paint



3: Door Mirror Assy nsf
Scuffed (Unpainted)
UpTo 100mm

4: B Post os
Scratched
Over 25mm Thru Paint



5: Door osf
Scratched
Over 25mm Not Thru Paint

6: Panel Front
Scratched
UpTo 25mm Not Thru Paint



7: Seat Base Cover nsf
Soiled
Heavy

Interior

Carpet Condition
Seat Condition

OK
Poor

Upholstery Condition
Odour

OK
-

Engine Runs	OK	No Excessive Smoking	OK
EML light illuminated	OK	DPF light illuminated	OK
ABS light illuminated	OK		