



COMMERCIAL VEHICLE AUCTIONS LTD
THE UK'S MOST ESTABLISHED COMMERCIAL VEHICLE AUCTIONEERS

Carr Hill Industrial Estate
Doncaster
DN4 8DE

01302 732600 | cva.noreply@cva-auctions.co.uk

VEHICLE INSPECTION REPORT

NX69YLP

Ford Transit Connect 200 1.5 ECOBLUE 75PS

Inspection		Vehicle	
Serious Damage?	No	VAT	Plus VAT
		V5	Present

Details					
Reg. date	17/12/2019	Colour	WHITE	CAP Average	£5,075.00
Year	2019	VIN	WF0RXXWPGRKU02592	CAP Below	£3,975.00
Mileage	35,748 Miles Warranted	Body Style	Panel Van L1	Gearbox	MANUAL
Fuel Type	Diesel	MOT Due	16/12/2026	Gears	6
GVW	2155kg	CAP Clean	£5,875.00		

WARNING LIGHTS ON DASH AD-BLUE

Tyres
NSF
NSR
OSF
OSR
Spare

Features

- Bluetooth connection
- Front electric windows
- Cloth seat trim
- Auxiliary input socket
- Drivers airbag
- Digital radio
- Passenger airbag
- Air conditioning
- Central locking

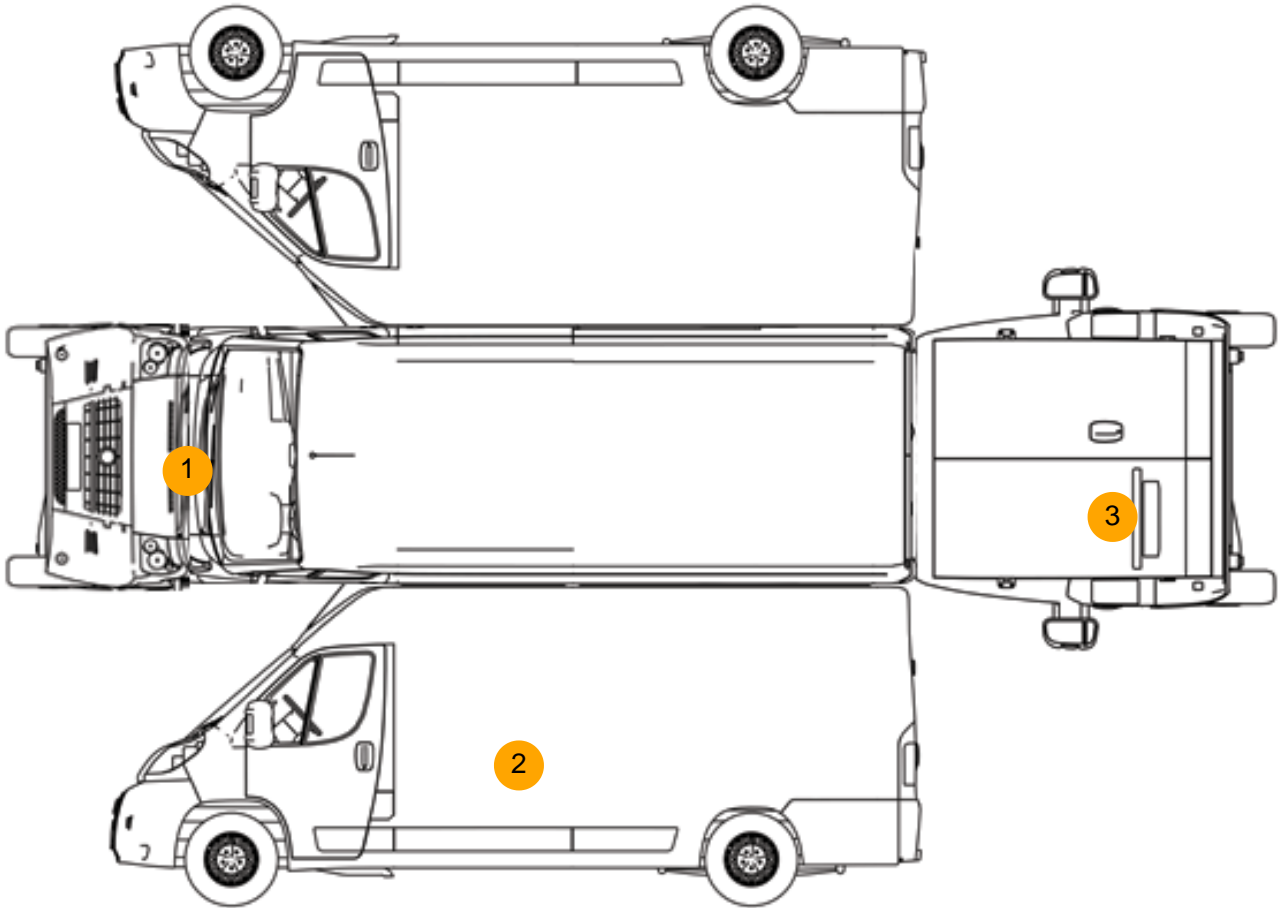
Photos







Condition Check



Damage Photos



1: Bonnet
Chipped
Multiple Chips

2: Qtr Panel nsr
Chipped
Multiple Chips



3: Door nsr
Dented
With Paint Damage

4: Seat Base Cover of
Soiled
Heavy



5: Dash Warning Lights
Displayed
No Action

Interior

Carpet Condition	OK	Upholstery Condition	OK
Seat Condition	Poor	Odour	No
Engine Runs	OK	No Excessive Smoking	OK
EML light illuminated	OK	DPF light illuminated	OK
ABS light illuminated	OK	Service indicator light illuminated	Fault