



COMMERCIAL VEHICLE AUCTIONS LTD
THE UK'S MOST ESTABLISHED COMMERCIAL VEHICLE AUCTIONEERS

Carr Hill Industrial Estate
Doncaster
DN4 8DE

01302 732600 | cva.noreply@cva-auctions.co.uk

VEHICLE INSPECTION REPORT

NU69XVA

Ford Fiesta 1.5 TDCI

Inspection		Vehicle	
Serious Damage?	No	VAT	Plus VAT
		V5	Present

Details			
Reg. date	19/12/2019	Colour	WHITE
Year	2019	VIN	WF0GXXGAHGKU79389
Mileage	56,166 Miles Warranted	Body Style	Car Derived Van
Fuel Type	Diesel	MOT Due	14/08/2026
GVW	1635kg	CAP Clean	£6,175.00
		CAP Average	£5,350.00
		CAP Below	£4,150.00
		Gearbox	MANUAL
		Gears	6

WARNING LIGHTS ON DASH E/ MIRRORS

Tyres
NSF
NSR
OSF
OSR
Spare

Features

- Bluetooth connection
- Front electric windows
- Cloth seat trim
- Auxiliary input socket
- Drivers airbag
- Digital radio
- Passenger airbag
- Air conditioning
- Central locking

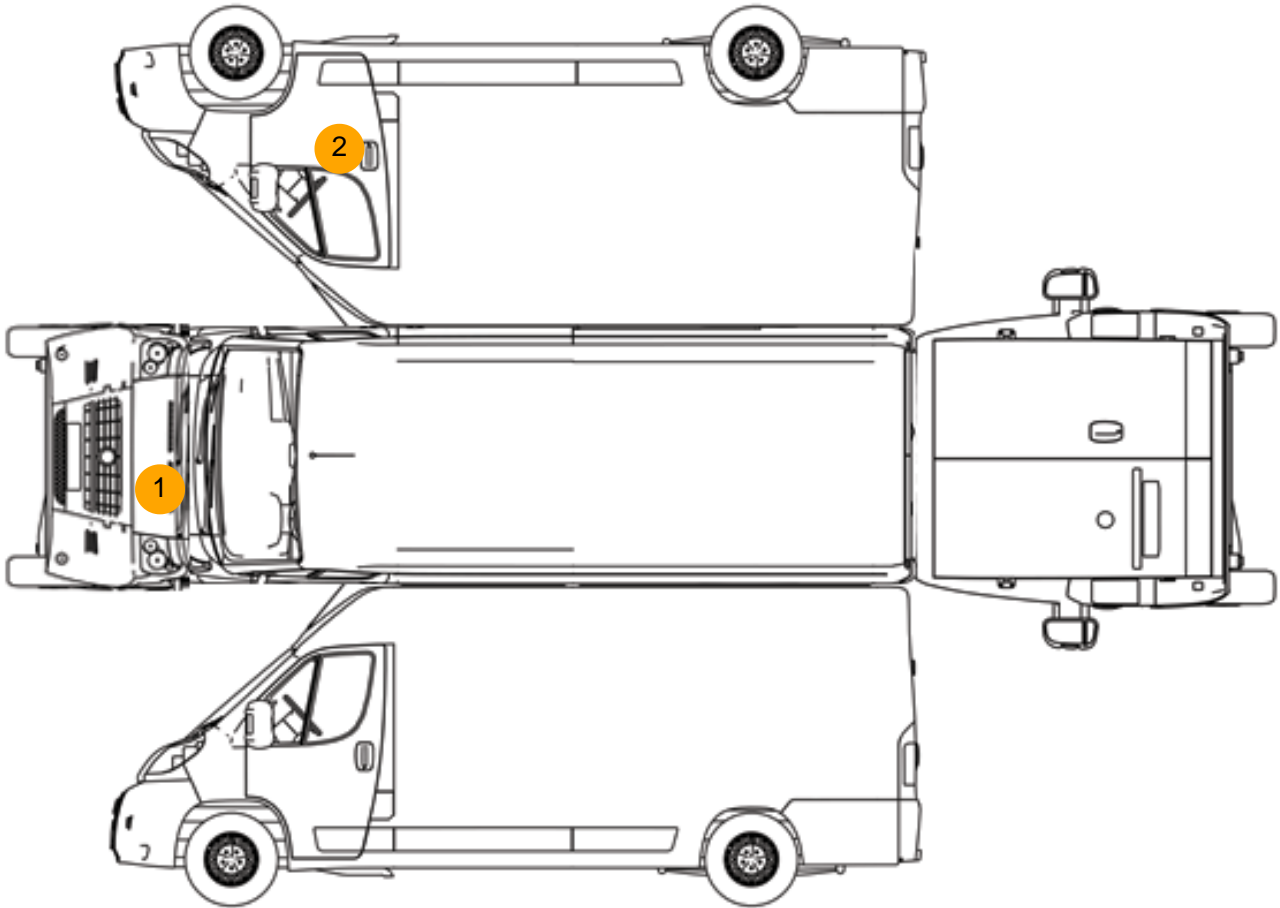
Photos







Condition Check



Damage Photos



1: Bonnet
Chipped
Multiple Chips



2: Door osf
Dented
Over 30mm



3: Dash Warning Lights
 Displayed
 No Action

Interior

Carpet Condition	OK	Upholstery Condition	OK
Seat Condition	OK	Odour	No
Engine Runs	OK	No Excessive Smoking	OK
EML light illuminated	OK	DPF light illuminated	OK
ABS light illuminated	OK		