



COMMERCIAL VEHICLE AUCTIONS LTD
THE UK'S MOST ESTABLISHED COMMERCIAL VEHICLE AUCTIONEERS

Carr Hill Industrial Estate
Doncaster
DN4 8DE

01302 732600 | cva.noreply@cva-auctions.co.uk

VEHICLE INSPECTION REPORT

LD66RPZ

Citroen Dispatch 1400 2.0 BLUEHDI 120PS ENTERPRISE

Non Runner
Inspection

Inspection		Vehicle	
Serious Damage?	No	VAT	Margin
		V5	Present

Details

Reg. date	28/10/2016	Colour	BLUE	CAP Average	£4,700.00
Year	2016	VIN	VF7VFAHKHGZ054531	CAP Below	£3,400.00
Mileage	47,963 Miles Warranted	Body Style	Panel Van SWB	Gearbox	MANUAL
Fuel Type	Diesel	MOT Due	Expired	Gears	6
GVW	3100kg	CAP Clean	£5,725.00		

NON-RUNNER, TURNS OVER DOES NOT START AD-BLUE, TWIN SIDE LOAD DOOR, ROOF RACK, E/ MIRRORS, RACKING, FALSE FLOOR

Tyres

NSF
NSR
OSF
OSR
Spare

Features

- Bluetooth connection
- Digital radio
- Passenger airbag
- Cruise control
- Air conditioning
- Central locking
- Rear parking sensor
- Front electric windows
- Cloth seat trim
- Auxiliary input socket
- Drivers airbag

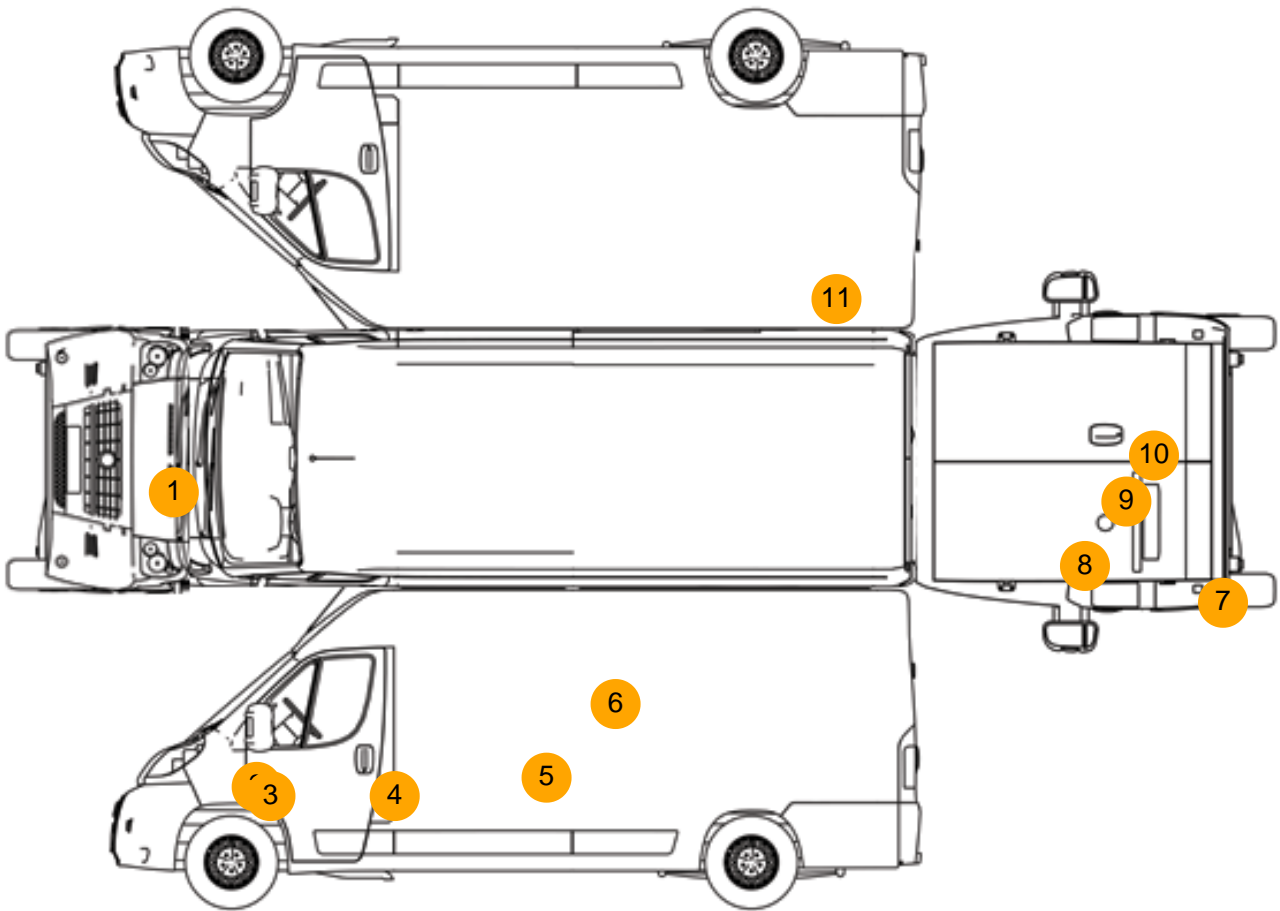
Photos







Condition Check



Damage Photos



1: Bonnet
Chipped
Multiple Chips



2: Wing nsf
Scratched
Over 25mm Thru Paint



3: Door nsf
Scratched
Over 25mm Thru Paint

4: Door nsf
Chipped
Multiple Chips



5: Qtr Panel nsr
Scratched
Over 25mm Thru Paint

6: Qtr Panel nsr
Dented
Over 30mm



7: Bumper Rear
Dented
Over 30mm

8: Door nsr
Dented
Over 30mm



9: Door nsr
Chipped
Multiple Chips

10: Door osr
Chipped
Multiple Chips



11: Qtr Panel osr
Dented
Over 30mm

12: Fascia Panel
Missing
Replace

Interior

Carpet Condition
Seat Condition

OK
OK

Upholstery Condition
Odour

Poor
No

Engine Runs **Fault**