



COMMERCIAL VEHICLE AUCTIONS LTD
THE UK'S MOST ESTABLISHED COMMERCIAL VEHICLE AUCTIONEERS

Carr Hill Industrial Estate
Doncaster
DN4 8DE

01302 732600 | cva.noreply@cva-auctions.co.uk

VEHICLE INSPECTION REPORT

CK25WBG

Peugeot Partner 1.5 BlueHDi 100 Professional

Inspection		Vehicle	
Serious Damage?	No	VAT	Plus VAT
		V5	Buyer To Apply

Details

Reg. date	31/03/2025	Colour	WHITE	CAP Average	£15,800.00
Year	2025	VIN	VR3EDYHT3RJ034088	CAP Below	£14,200.00
Mileage	3,437 Miles Not Warranted	Body Style	Crew Van LWB	Gearbox	MANUAL
Fuel Type	Diesel	MOT Due	30/03/2028	Gears	6
GVW	2400kg	CAP Clean	£16,400.00		

TWIN SIDE LOAD DOOR, E/MIRRORS, AD-BLUE

Tyres

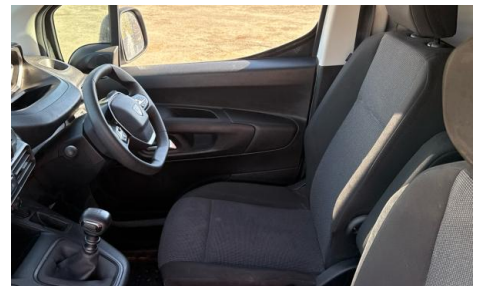
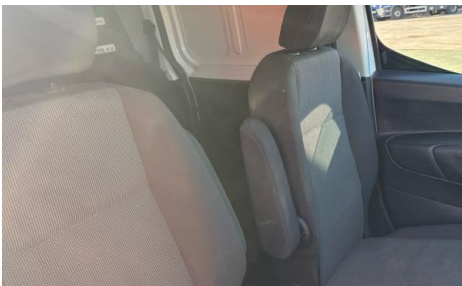
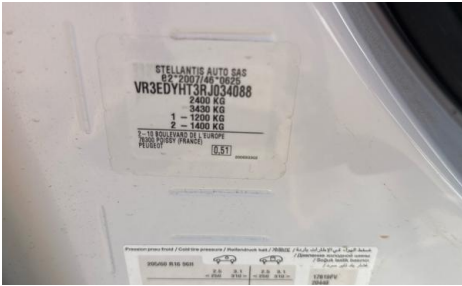
NSF
NSR
OSF
OSR
Spare

Features

- Cruise control
- Drivers airbag
- Rear parking sensor
- Passenger airbag
- Air conditioning
- Central locking
- Front electric windows
- Cloth seat trim

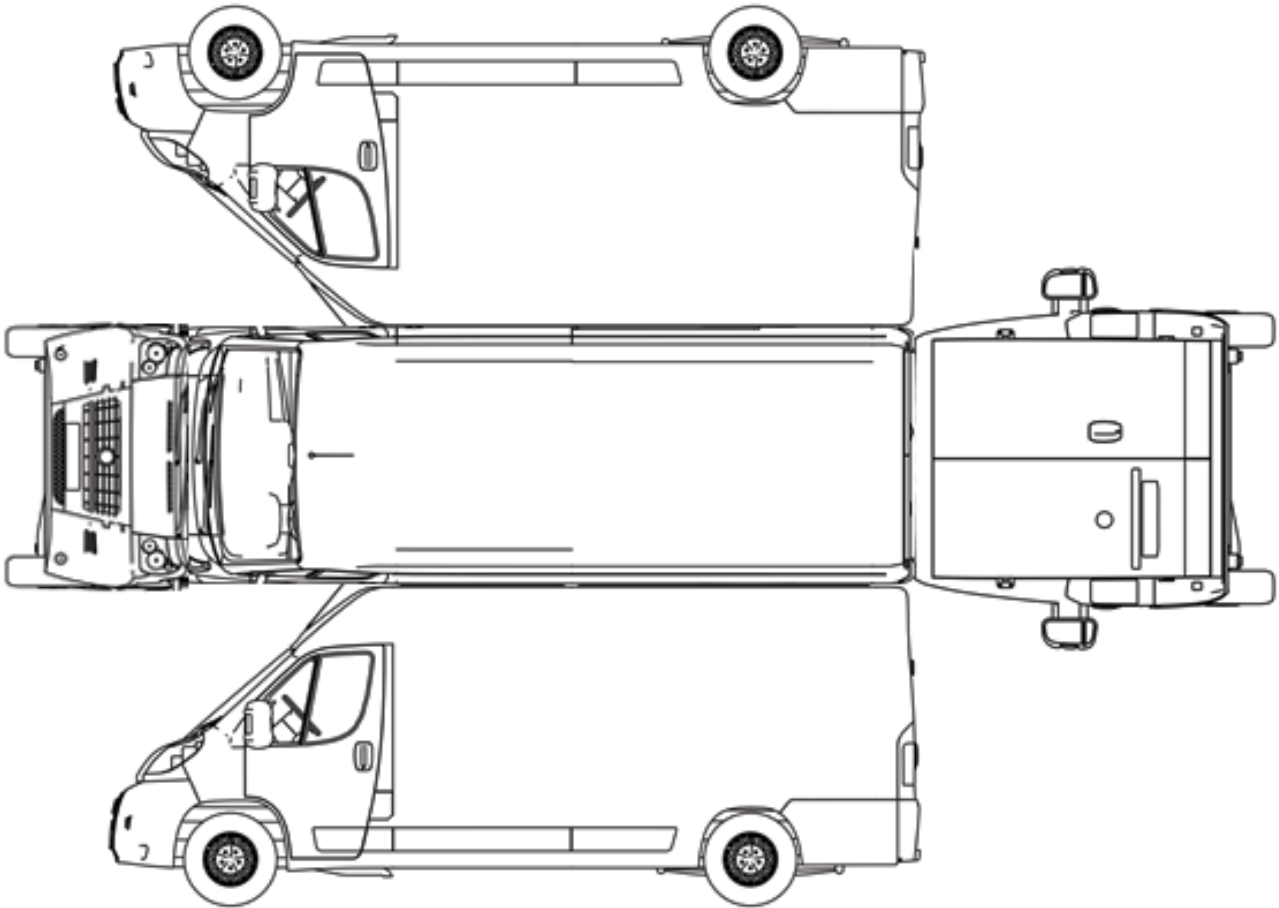
Photos



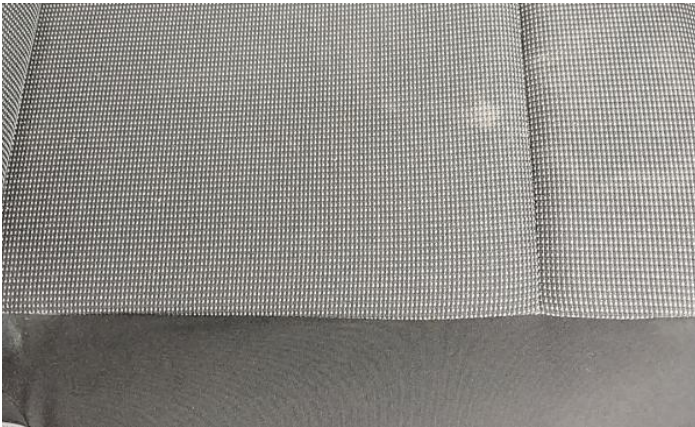




Condition Check



Damage Photos



1: Seat Base Cover osf
Soiled
Heavy

2: Seat Base Cover nsf
Soiled
Heavy

Interior

Carpet Condition OK
Seat Condition Poor

Upholstery Condition OK
Odour No

Engine Runs OK **No Excessive Smoking** OK

EML light illuminated

OK

DPF light illuminated

OK

ABS light illuminated

OK