



COMMERCIAL VEHICLE AUCTIONS LTD
THE UK'S MOST ESTABLISHED COMMERCIAL VEHICLE AUCTIONEERS

Carr Hill Industrial Estate
Doncaster
DN4 8DE

01302 732600 | cva.noreply@cva-auctions.co.uk

VEHICLE INSPECTION REPORT

PJ20WSZ

Mercedes-Benz Sprinter 314 CDI

Inspection		Vehicle	
Serious Damage?	No	VAT	Plus VAT
		V5	Present

Details					
Reg. date	30/07/2020	VIN	W1V9076352P253061	CAP Below	£3,775.00
Year	2020	Body Style	Panel Van L3	Gearbox	AUTOMATIC
Mileage	259,588 Miles Warranted	MOT Due	18/03/2027	Gears	6
Fuel Type	Diesel	CAP Clean	£5,400.00		
Colour	WHITE	CAP Average	£4,700.00		

AD-BLUE, SIDE LOADING DOOR

Tyres
NSF
NSR
OSF
OSR
Spare

Features

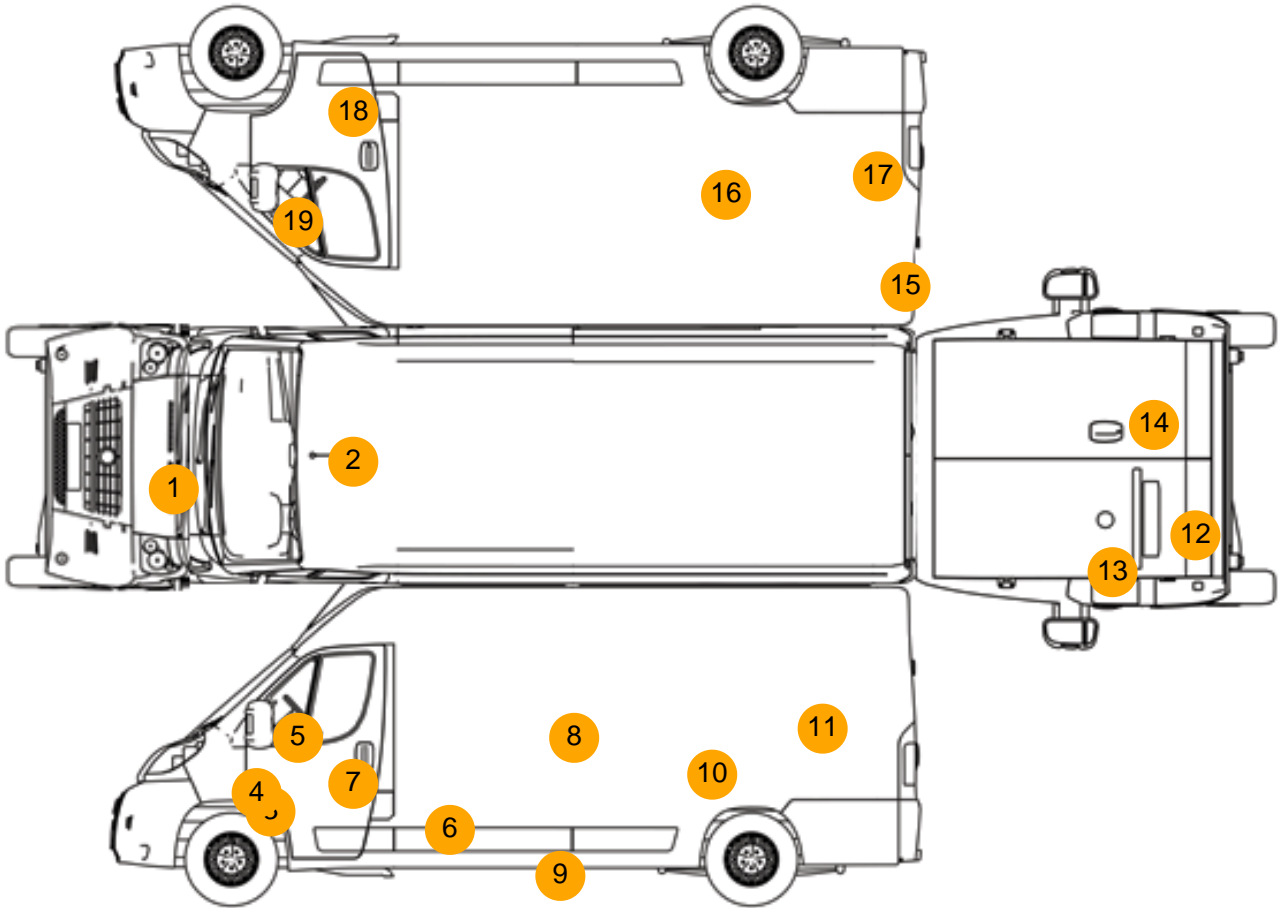
- Rear parking sensor
- Front electric windows

Photos





Condition Check



Damage Photos



1: Bonnet
Chipped
Multiple Chips



2: Panel Front
Chipped
Multiple Chips



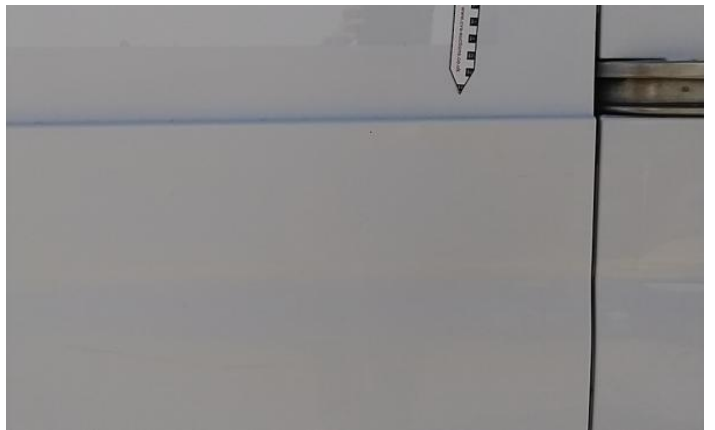
3: Wing nsf
Scratched
Over 25mm Not Thru Paint

4: Wing nsr
Scratched
Up To 25mm Thru Paint



5: Door Mirror Assy nsf
Scuffed (Unpainted)
Over 100mm

6: Door nsr
Scratched
Over 25mm Thru Paint



7: Door nsf
Scratched
Over 25mm Not Thru Paint

8: Door nsr
Dented
Over 30mm



9: Door nsr
Dented
Over 30mm

10: Qtr Panel nsr
Dented
With Paint Damage



11: Qtr Panel nsr
Scratched
Over 25mm Not Thru Paint

12: Door nsr
Dented
Over 30mm



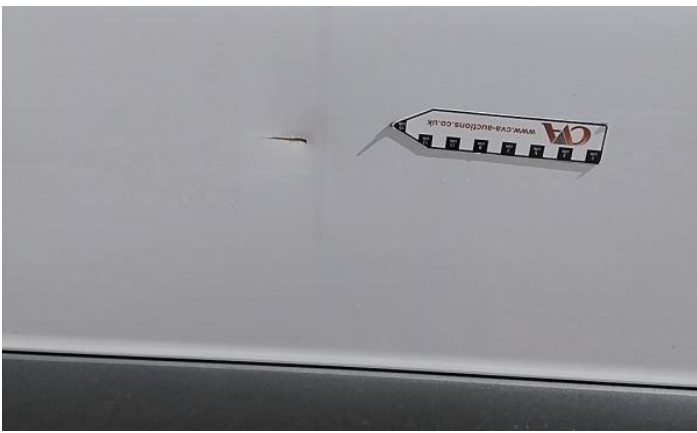
13: Door nsr
Dented
With Paint Damage

14: Door osr
Dented
Over 30mm



15: Qtr Panel osr
Dented
Over 30mm

16: Qtr Panel osr
Dented
With Paint Damage



17: Qtr Panel osr
Dented
With Paint Damage

18: Door osf
Dented
With Paint Damage



19: Door Mirror Assy osf
Scuffed (Unpainted)
Over 100mm

20: Seat Base Cover osf
Holed
Over 3mm

Interior

Carpet Condition	Average	Upholstery Condition	Average
Seat Condition	Average	Odour	No
Engine Runs	OK	Gearbox 1st and Reverse Test	OK
Brakes	OK	Clutch Slip Test from Static	OK
Parking Brake	OK	Gearbox Static Gear Selection (engine running)	OK
		No Excessive Smoking	OK
EML light illuminated	OK	Oil warning light illuminated	OK
Airbag light illuminated	OK	DPF light illuminated	OK
ABS light illuminated	OK	Service indicator light illuminated	OK