



COMMERCIAL VEHICLE AUCTIONS LTD
THE UK'S MOST ESTABLISHED COMMERCIAL VEHICLE AUCTIONEERS

Carr Hill Industrial Estate
Doncaster
DN4 8DE

01302 732600 | cva.noreply@cva-auctions.co.uk

VEHICLE INSPECTION REPORT

MJ67YMG

Daf CF 230

Inspection

Serious Damage? No

Vehicle

VAT Plus VAT
V5 Present

Details

Reg. date	06/02/2018	Colour	RED	Cab Type	SLEEPER CAB
Year	2018	VIN	XLRAEM3700G164728	Gearbox	MANUAL
Mileage	660,095 Km Warranted	Body Style	Flatbed	Axle Combi	4x2
Fuel Type	Diesel	MOT Due	31/05/2026	Rear Suspension	Air

Tyres

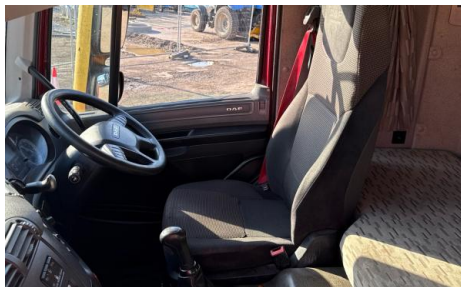
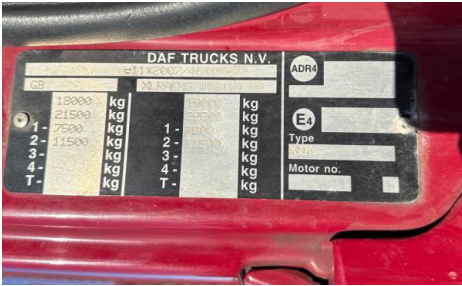
NSF	NSI1	NSI2	NSI3	NSI4
OSF	OSI1	OSI2	OSI3	OSI4
Spare	NSO1	NSO2	NSO3	NSO4
	OSO1	OSO2	OSO3	OSO4

Features

- Cruise control
- Central locking
- Park assist camera
- Cloth seat trim
- Digital radio
- Front electric windows

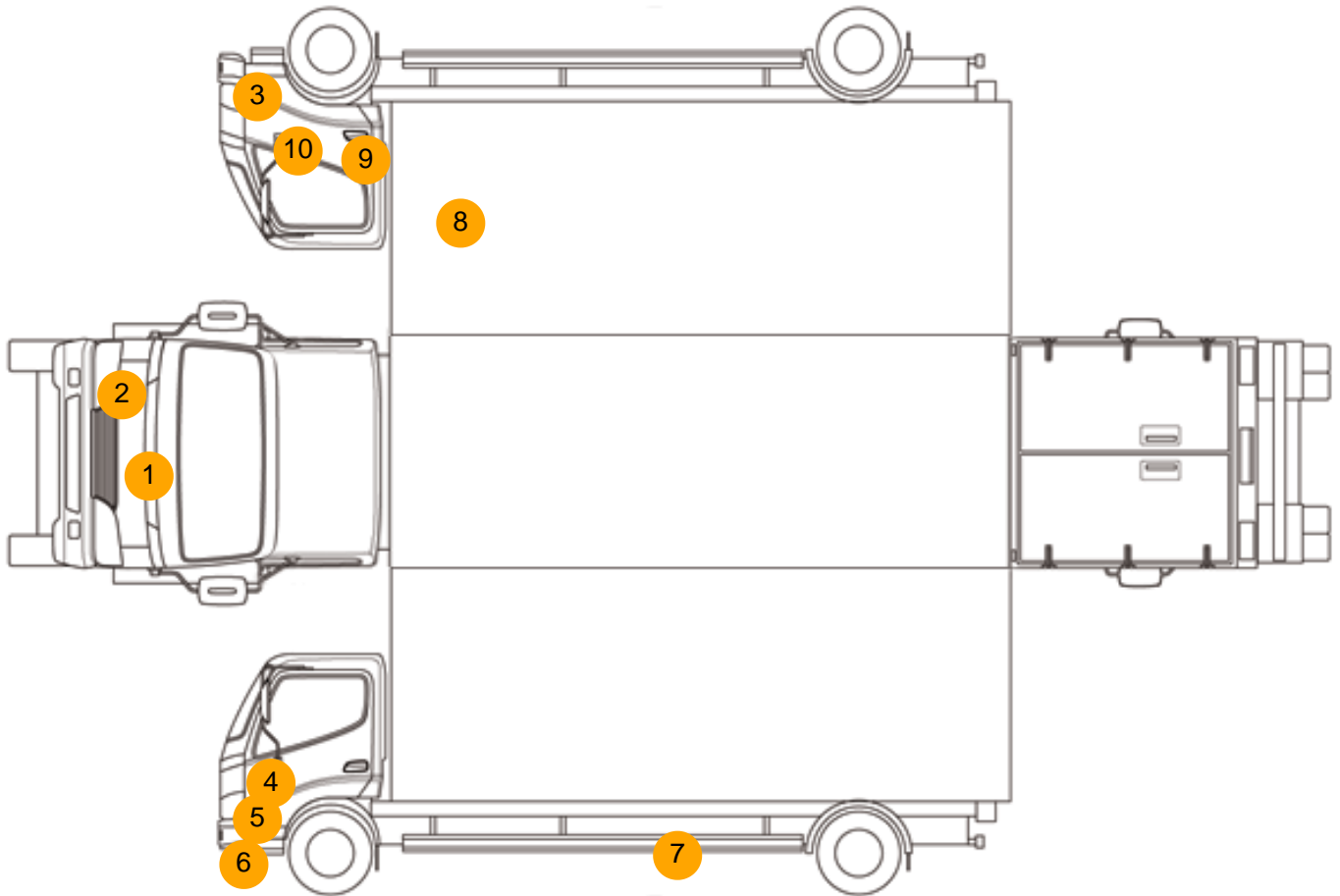
Photos







Condition Check



Damage Photos



1: Bonnet
Chipped
Multiple Chips

2: Panel Front
Scratched
Over 25mm Thru Paint



3: Bumper Front
Scratched
Over 100mm Thru Paint

4: Panel Front
Cracked
Replace



5: Panel Front
Cracked
Replace

6: Bumper Front
Scratched
Over 100mm Thru Paint



7: Qtr Panel Trim ns
Broken
Replace

8: Qtr Panel osr
Scratched
Over 25mm Thru Paint



9: Door osf
Dented
With Paint Damage

10: Door osf
Dented
Over 30mm



11: Door Pad osf
Scuffed
Over 25mm

12: Seat Base Cover nsf
Soiled
Heavy

Interior

Carpet Condition
Seat Condition

OK
Poor

Upholstery Condition
Odour

Poor
-

Engine Runs	OK	No Excessive Smoking	OK
EML light illuminated	OK	DPF light illuminated	OK
ABS light illuminated	OK		