



COMMERCIAL VEHICLE AUCTIONS LTD
THE UK'S MOST ESTABLISHED COMMERCIAL VEHICLE AUCTIONEERS

Carr Hill Industrial Estate
Doncaster
DN4 8DE

01302 732600 | cva.noreply@cva-auctions.co.uk

VEHICLE INSPECTION REPORT

MX64AKJ

Mercedes-Benz Actros

Inspection		Vehicle	
Serious Damage?	No	VAT	Plus VAT
		V5	Buyer To Apply

Details					
Reg. date	30/09/2014	VIN	WDB9630032L868139	Axle Combi	4x2
Year	2014	Body Style	Box Van	Rear Suspension	Air
Mileage	251,426 Km Not Warranted	MOT Due	31/01/2027	Tail Lift	Cantilever
Fuel Type	Diesel	Cab Type	CLASSICSPACE CAB		
Colour	WHITE	Gearbox	AUTOMATIC		

SEVERE MID RANGE MISFIRE

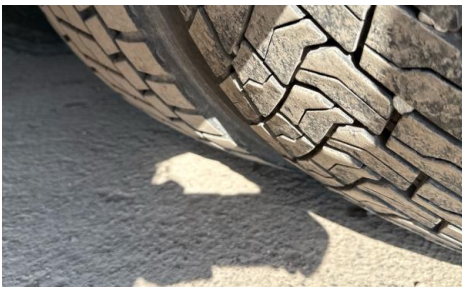
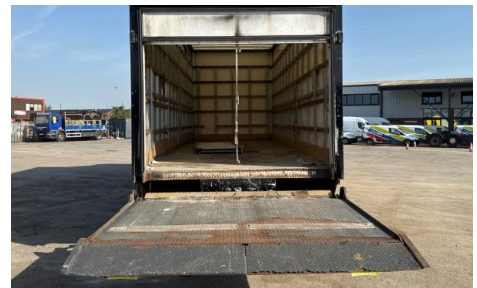
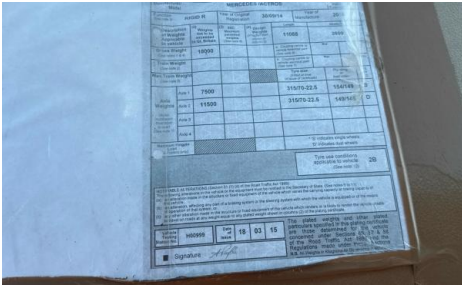
Tyres				
NSF	NSI1	NSI2	NSI3	NSI4
OSF	OSI1	OSI2	OSI3	OSI4
Spare	NSO1	NSO2	NSO3	NSO4
	OSO1	OSO2	OSO3	OSO4

Features

- Bluetooth connection
- Digital radio
- Cloth seat trim
- Cruise control
- Air conditioning
- Park assist camera
- Front electric windows
- Auxiliary input socket
- Central locking

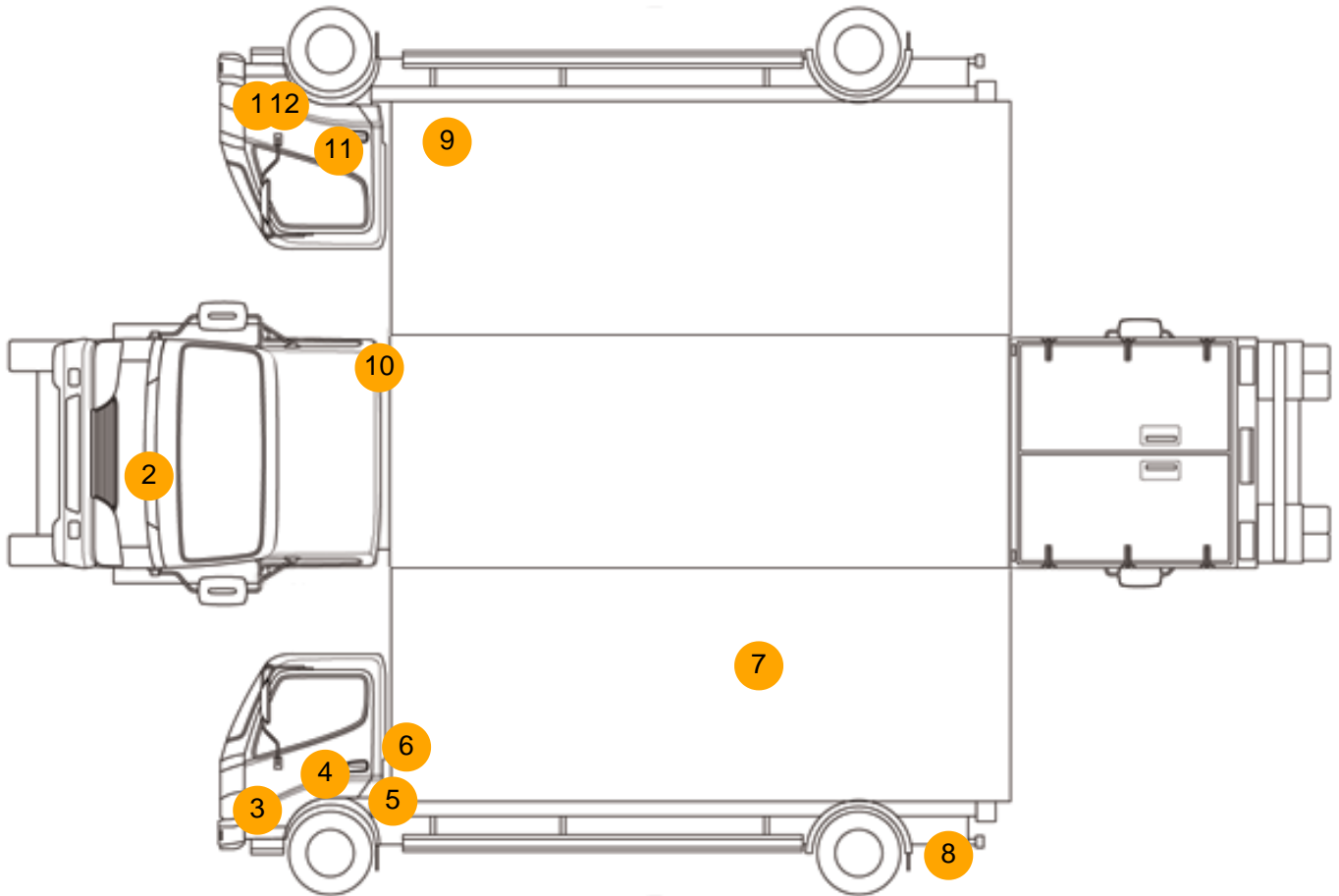
Photos







Condition Check



Damage Photos



1: Bumper Front
Scratched
Over 100mm Thru Paint

2: Bonnet
Chipped
Multiple Chips



3: Panel Front
Cracked
Replace

4: Door nsf
Scratched
Over 25mm Thru Paint



5: Qtr Panel Moulding ns
Scratched (Painted)
Over 25mm Thru Paint

6: Qtr Panel nsr
Chipped
Multiple Chips



7: Qtr Panel nsr
Scratched
Over 25mm Thru Paint

8: Qtr Panel Moulding ns
Scratched (Painted)
Over 25mm Thru Paint



9: Qtr Panel Moulding os
Scratched (Painted)
Over 25mm Thru Paint

10: Qtr Panel Trim os
Broken
Replace



11: Door osf
Scratched
Over 25mm Not Thru Paint

12: Bumper Front Moulding
Scratched (Painted)
Over 25mm Thru Paint

Interior

Carpet Condition OK
Seat Condition OK

Upholstery Condition OK
Odour -

Engine Runs	Fault	No Excessive Smoking	OK
EML light illuminated	OK	DPF light illuminated	OK
ABS light illuminated	OK		