



**COMMERCIAL VEHICLE AUCTIONS LTD**  
THE UK'S MOST ESTABLISHED COMMERCIAL VEHICLE AUCTIONEERS

Carr Hill Industrial Estate  
Doncaster  
DN4 8DE

01302 732600 | cva.noreply@cva-auctions.co.uk

# VEHICLE INSPECTION REPORT

**PE65UZJ**

## DAF LF 220

### Inspection

Serious Damage? No

### Vehicle

VAT Plus VAT  
V5 Present

### Details

Reg. date	16/10/2015	VIN	XLRAEL3700L448284	Cab Type	DAY CAB
Year	2015	Body Style	Box Van	Gearbox	AUTOMATIC
Mileage	882,932 Km Warranted	Service history	Yes	Axle Combi	4x2
Fuel Type	Diesel	Service documents	Printout	Rear Suspension	Steel
Colour	RED	MOT Due	30/04/2026	Tail Lift	Cantilever

\*COLLECTED AS NON-RUNNER, ENGINE, TYRES, CLUTCH, FLYWHEEL & STARTER MOTOR REQUIRE ATTENTION\*

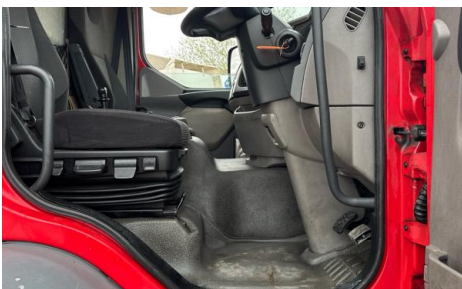
### Tyres

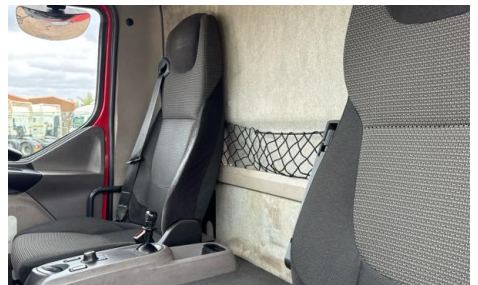
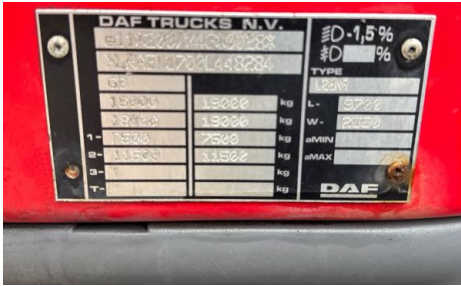
NSF	NSI1	NSI2	NSI3	NSI4
OSF	OSI1	OSI2	OSI3	OSI4
Spare	NSO1	NSO2	NSO3	NSO4
	OSO1	OSO2	OSO3	OSO4

## Features

- Cruise control
- Central locking
- Radio/CD
- Cloth seat trim
- Air conditioning
- Front electric windows

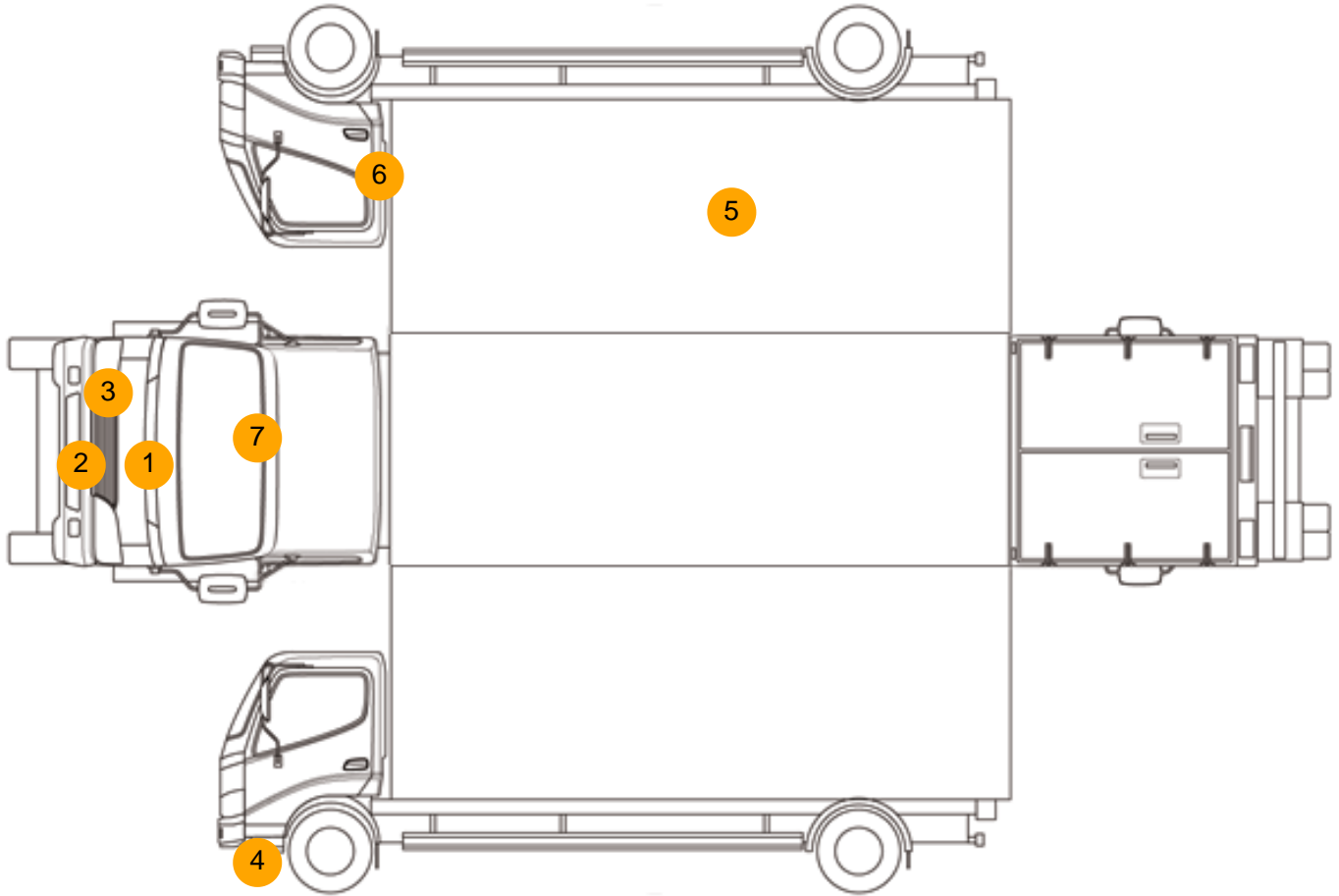
## Photos







## Condition Check



## Damage Photos



1: Bonnet  
Chipped  
Multiple Chips

2: Number Plate Front  
Broken  
Replace



3: Bumper Front  
Dented  
Over 30mm

4: Bumper Front  
Scratched  
25 to 100mm Thru Paint



5: Qtr Panel osr  
Scratched  
Over 25mm Thru Paint

6: Door osf  
Dented  
With Paint Damage



7: Screen Front  
Chipped  
Up To 10mm

8: Door Pad osf  
Soiled  
Heavy



9: Seat Base Cover nsf  
 Holed  
 Over 3mm

**Interior**

<b>Carpet Condition</b>	OK	<b>Upholstery Condition</b>	Poor
<b>Seat Condition</b>	Poor	<b>Odour</b>	-
Engine Runs	OK	No Excessive Smoking	OK
EML light illuminated	OK	DPF light illuminated	OK
ABS light illuminated	OK		