



COMMERCIAL VEHICLE AUCTIONS LTD
THE UK'S MOST ESTABLISHED COMMERCIAL VEHICLE AUCTIONEERS

Carr Hill Industrial Estate
Doncaster
DN4 8DE

01302 732600 | cva.noreply@cva-auctions.co.uk

VEHICLE INSPECTION REPORT

PJ20ZYW

Mercedes-Benz Sprinter 314 CDI

Inspection		Vehicle	
Serious Damage?	No	VAT	Plus VAT
		V5	To Follow

Details					
Reg. date	31/07/2020	VIN	W1V9076352P256194	CAP Below	£6,175.00
Year	2020	Body Style	Panel Van L3	Gearbox	AUTOMATIC
Mileage	134,651 Miles Warranted	MOT Due	25/03/2027	Gears	6
Fuel Type	Diesel	CAP Clean	£8,800.00		
Colour	WHITE	CAP Average	£7,725.00		

AD-BLUE, SIDE LOADING DOOR

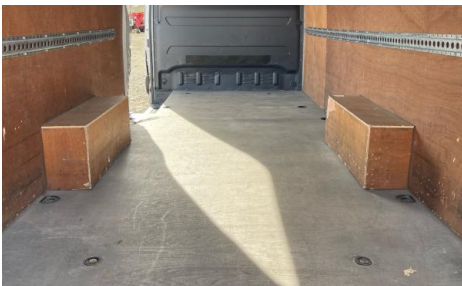
Tyres	
NSF	
NSR	
OSF	
OSR	
Spare	

Features

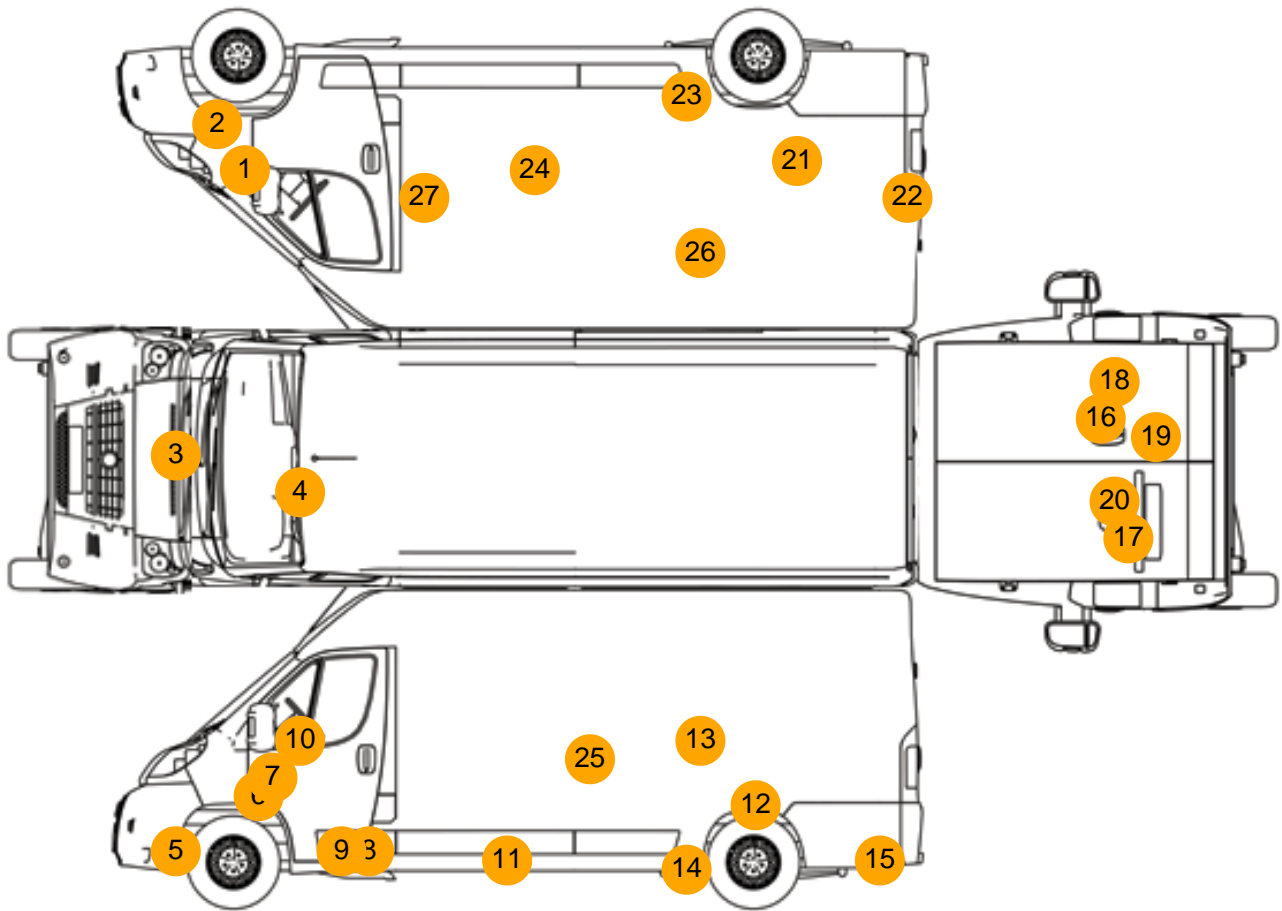
- Rear parking sensor
- Front electric windows

Photos





Condition Check



Damage Photos



1: Wing of
Dented
With Paint Damage



2: Bumper Front Moulding
Scuffed (Unpainted)
Over 100mm



3: Bonnet
Dented
With Paint Damage

4: Screen Front
Chipped
Over 10mm



5: Bumper Front Moulding
Scuffed (Unpainted)
Over 100mm

6: Wing nsf
Scratched
Over 25mm Not Thru Paint



7: Wing nsf
Dented
Between 10mm + 30mm

8: Door Moulding nsf
Scuffed (Unpainted)
Over 100mm



9: Door nsf
Dented
Between 10mm + 30mm

10: Door Mirror Assy nsf
Scuffed (Unpainted)
Over 100mm



11: Door Moulding nsr
Scuffed (Unpainted)
Over 100mm

12: Qtr Panel nsr
Scratched
Over 25mm Thru Paint



13: Qtr Panel nsr
Dented
With Paint Damage

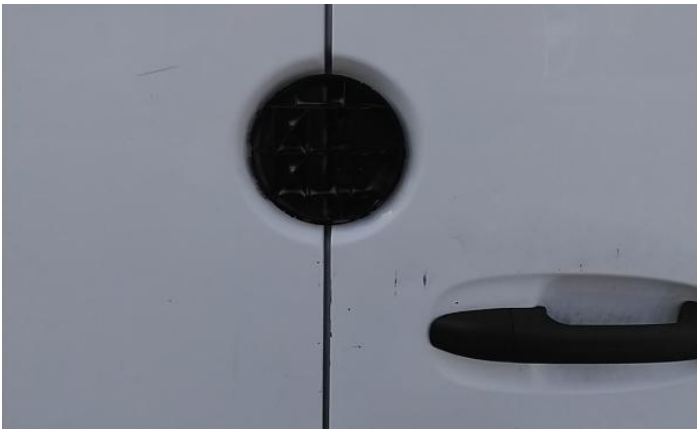
14: Qtr Panel nsr
Dented
With Paint Damage



15: Sill ns
Dented
With Paint Damage



16: Door osf
Scratched
Over 25mm Thru Paint



17: Badgedecal Rear
Missing
Replace



18: Door osr
Dented
Between 10mm + 30mm



19: Door osr
Dented
With Paint Damage

20: Door nsr
Dented
Between 10mm + 30mm



21: Qtr Panel osr
Dented
With Paint Damage

22: Qtr Panel osr
Scratched
Over 25mm Not Thru Paint



23: Qtr Panel osr
Dented
With Paint Damage

24: Qtr Panel osr
Scratched
Over 25mm Not Thru Paint



25: Qtr Panel osr
Scratched
Over 25mm Not Thru Paint

26: Qtr Panel osr
Scratched
Over 25mm Not Thru Paint



27: Door osf
Chipped
Edge Chip

28: Carpets Front
Holed
Over 3mm



29: Seat Base Cover osf
Holed
Over 3mm

Interior

Carpet Condition	Average	Upholstery Condition	Average
Seat Condition	Average	Odour	No
Engine Runs	OK	Gearbox 1st and Reverse Test	OK
Brakes	OK	Clutch Slip Test from Static	OK
Parking Brake	OK	Gearbox Static Gear Selection (engine running)	OK
		No Excessive Smoking	OK
EML light illuminated	OK	Oil warning light illuminated	OK
Airbag light illuminated	OK	DPF light illuminated	OK
ABS light illuminated	OK	Service indicator light illuminated	OK