



COMMERCIAL VEHICLE AUCTIONS LTD
THE UK'S MOST ESTABLISHED COMMERCIAL VEHICLE AUCTIONEERS

Carr Hill Industrial Estate
Doncaster
DN4 8DE

01302 732600 | cva.noreply@cva-auctions.co.uk

VEHICLE INSPECTION REPORT

VO22FCX

Maxus Deliver 9

Inspection

Serious Damage? No

Vehicle

VAT Plus VAT

V5 Buyer To Apply

Details

Reg. date	16/03/2022	Colour	WHITE	CAP Average	£6,975.00
Year	2022	VIN	LSH14J7C7MA127990	CAP Below	£5,875.00
Mileage	63,680 Miles Warranted	Body Style	Panel Van SWB	Gearbox	MANUAL
Fuel Type	Diesel	MOT Due	Expired	Gears	6
GVW	3500kg	CAP Clean	£7,675.00		

CRACK IN WINDSCREEN SIDE LOAD DOOR, E/MIRRORS, AD-BLUE ENGINE NOISE WHEN IDLE

Tyres

NSF

NSR

OSF

OSR

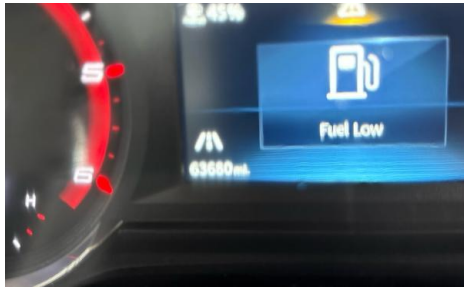
Spare

Features

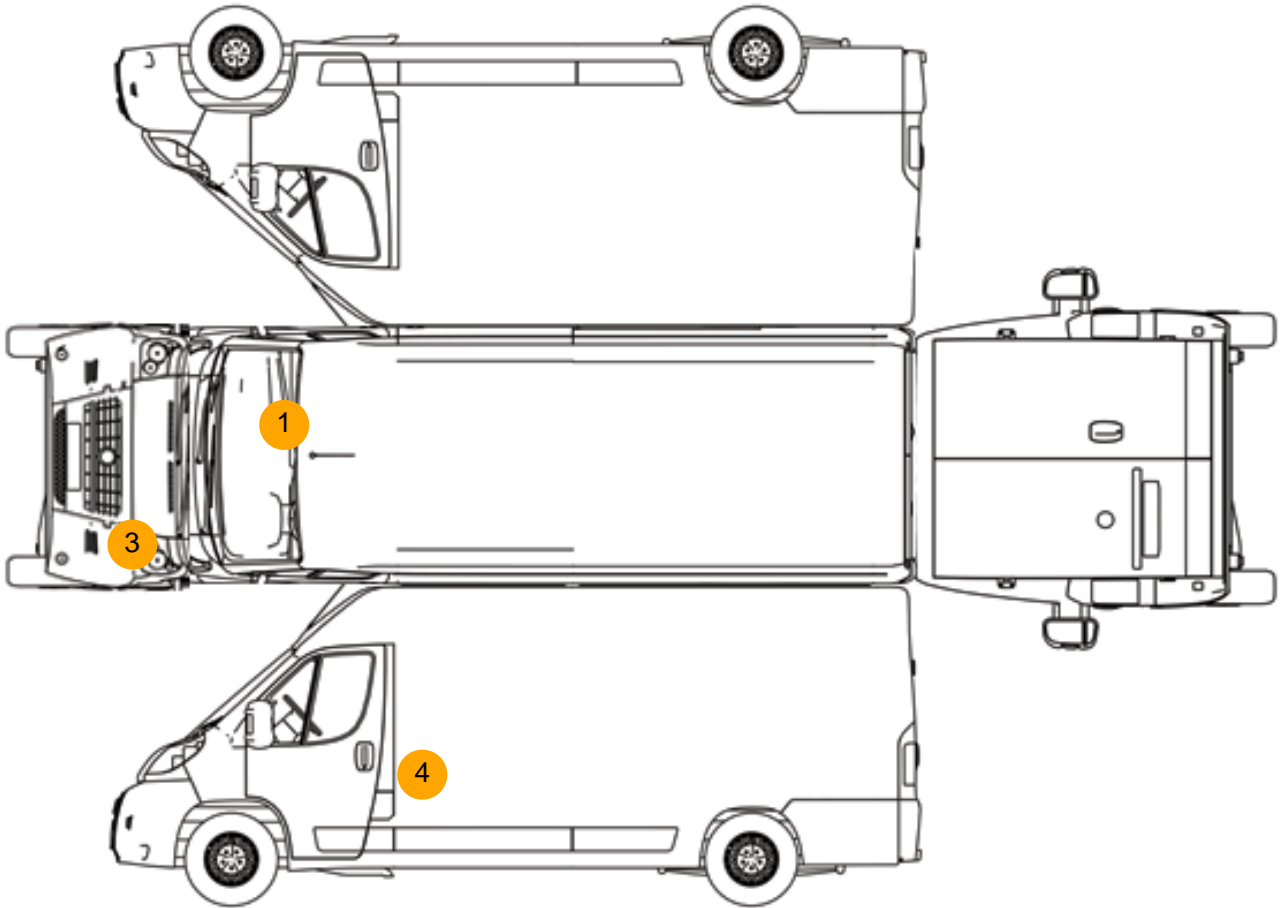
- Bluetooth connection
- Digital radio
- Passenger airbag
- Cruise control
- Air conditioning
- Central locking
- Rear parking sensor
- Front electric windows
- Cloth seat trim
- Auxiliary input socket
- Drivers airbag

Photos





Condition Check



Damage Photos



1: Screen Front
Cracked
Replace

2: Door nsf
Chipped
Over 5mm



3: Panel Front
Chipped
Multiple Chips

4: Door osr
Poor Previous Repair
Poor Colour

Interior

Carpet Condition
Seat Condition

OK
Average

Upholstery Condition
Odour

OK
No

Engine Runs	OK	Gearbox 1st and Reverse Test	OK
Brakes	OK	Clutch Slip Test from Static	OK
Turbo Boosting	OK	Gearbox Static Gear Selection (engine running)	OK
Parking Brake	OK	No Excessive Smoking	OK
EML light illuminated	OK	Oil warning light illuminated	OK
Airbag light illuminated	OK	DPF light illuminated	OK
ABS light illuminated	OK	Service indicator light illuminated	OK
Windows	OK	Radio	OK
		Steering	OK