



**COMMERCIAL VEHICLE AUCTIONS LTD**  
THE UK'S MOST ESTABLISHED COMMERCIAL VEHICLE AUCTIONEERS

Carr Hill Industrial Estate  
Doncaster  
DN4 8DE

01302 732600 | cva.noreply@cva-auctions.co.uk

# VEHICLE INSPECTION REPORT

**PN66WNZ**

## Fiat Doblo 1.3 MULTIJET 16V 95PS

Inspection		Vehicle	
Serious Damage?	No	VAT	Plus VAT
		V5	Present

Details					
Reg. date	18/10/2016	Colour	WHITE	CAP Average	£1,425.00
Year	2016	VIN	ZFA26300006D71740	CAP Below	£1,025.00
Mileage	134,783 Miles Warranted	Body Style	Panel Van L1	Gearbox	MANUAL
Fuel Type	Diesel	MOT Due	17/10/2026	Gears	5
GVW	2020kg	CAP Clean	£1,725.00		

\*KEEPS GOING INTO LIMP MODE AND WON'T DRIVE OVER 30MPH\* SIDE LOADING DOOR, TOW BAR

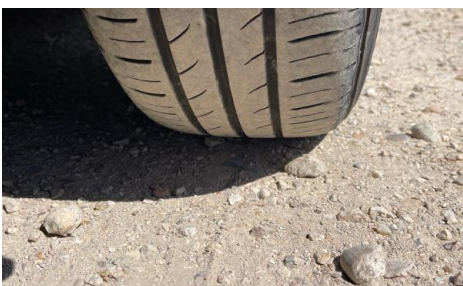
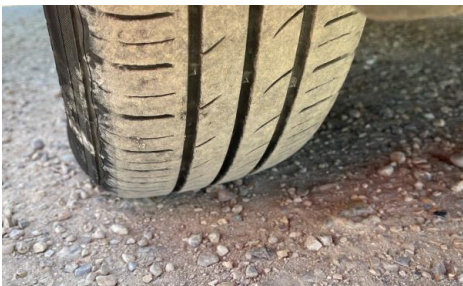
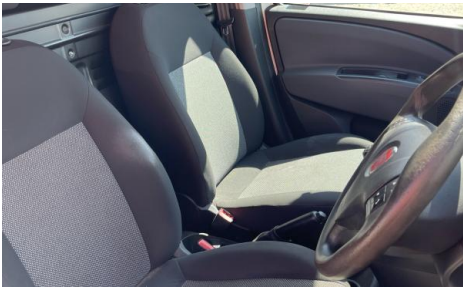
Tyres
NSF
NSR
OSF
OSR
Spare

## Features

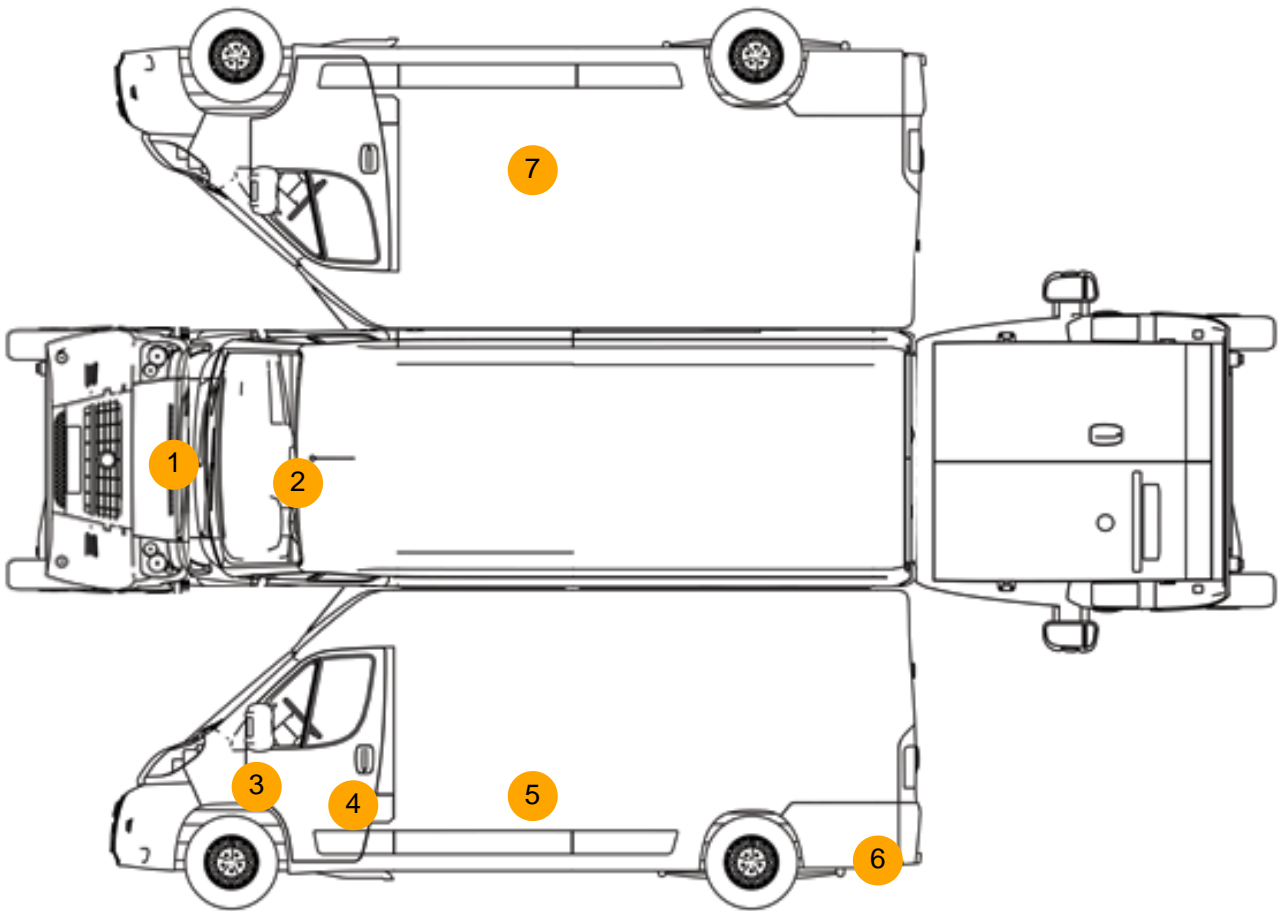
- Front electric windows

## Photos





## Condition Check

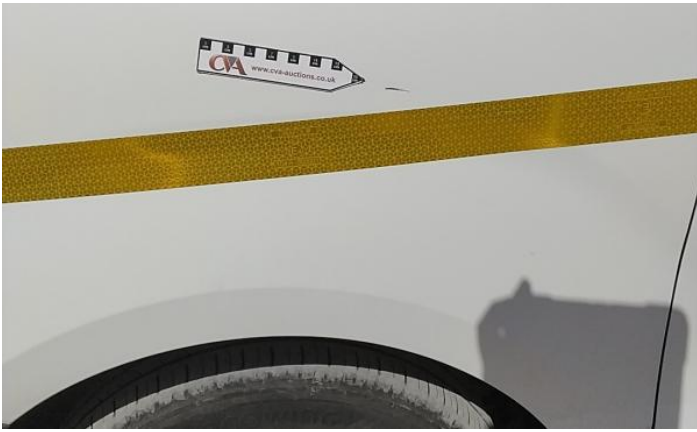


## Damage Photos



1: Bonnet  
Chipped  
Multiple Chips

2: Screen Front  
Chipped  
UpTo 10mm



3: Wing nsf  
Scratched  
UpTo 25mm Thru Paint

4: Door nsf  
Dented  
Over 2 UpTo 10mm



5: Door nsr  
Dented  
Between 10mm + 30mm

6: Bumper Rear Moulding  
Scuffed (Unpainted)  
Over 100mm



7: Qtr Panel osr  
Dented  
With Paint Damage

## Interior

<b>Carpet Condition</b>	Average	<b>Upholstery Condition</b>	Average
<b>Seat Condition</b>	Average	<b>Odour</b>	No
Engine Runs	OK	Gearbox 1st and Reverse Test	OK
Brakes	OK	Clutch Slip Test from Static	OK
Parking Brake	OK	Gearbox Static Gear Selection (engine running)	OK
		No Excessive Smoking	OK
EML light illuminated	OK	Oil warning light illuminated	OK
Airbag light illuminated	OK	DPF light illuminated	OK
ABS light illuminated	OK	Service indicator light illuminated	OK