



COMMERCIAL VEHICLE AUCTIONS LTD
THE UK'S MOST ESTABLISHED COMMERCIAL VEHICLE AUCTIONEERS

Carr Hill Industrial Estate
Doncaster
DN4 8DE

01302 732600 | cva.noreply@cva-auctions.co.uk

VEHICLE INSPECTION REPORT

HX72YKV

Mercedes-Benz Atego

Inspection		Vehicle	
Serious Damage?	No	VAT	Plus VAT
		V5	Present

Details					
Reg. date	16/02/2023	Colour	WHITE	Cab Type	DAY CAB
Year	2023	VIN	W1T96700520629666	Gearbox	AUTOMATIC
Mileage	75,519 Km Warranted	Body Style	Pole Erection Unit	Axle Combi	4x2
Fuel Type	Diesel	MOT Due	28/02/2027	Rear Suspension	Steel

PALFINGER PK9.501 SLD (2 EXT) REMOTE CRANE (2022), AUTOGUIDE HOLE BORER ATTACHMENT, SURROUND CAMERA

Tyres				
NSF	NSI1	NSI2	NSI3	NSI4
OSF	OSI1	OSI2	OSI3	OSI4
Spare	NSO1	NSO2	NSO3	NSO4
	OSO1	OSO2	OSO3	OSO4

Features

- Bluetooth connection
- Front electric windows
- Cruise control
- Central locking
- Park assist camera
- Cloth seat trim
- Air conditioning

Photos



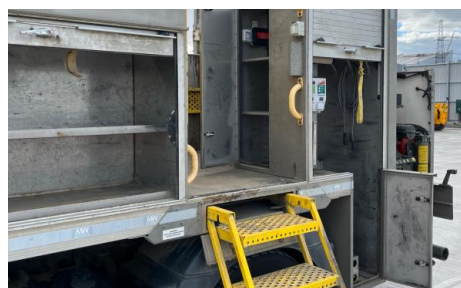


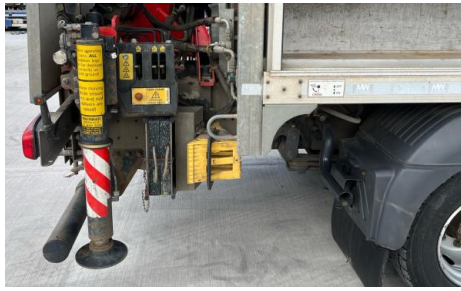
MERCEDES (ATEGO)									
Model	RIGID	Year of Origin	Registration	Year of Manufacture	Model	Year of Origin	Registration	Year of Manufacture	Model
Description of Weights Applicable to Vehicle									
Stops Weight (See note 7 & 8)	11990	11990							
Train Weight (See note 12)									
Max. Train Weight (See note 12)									
Axle Weights									
Axle 1	4900	4900	26570-19.5	140120					
Axle 2	8100	8100	26570-19.5	130121					
Axle 3									
Axle 4									
Axle 5									
Axle 6									
Axle 7									
Axle 8									
Axle 9									
Axle 10									
Axle 11									
Axle 12									
Axle 13									
Axle 14									
Axle 15									
Axle 16									
Axle 17									
Axle 18									
Axle 19									
Axle 20									
Axle 21									
Axle 22									
Axle 23									
Axle 24									
Axle 25									
Axle 26									
Axle 27									
Axle 28									
Axle 29									
Axle 30									
Axle 31									
Axle 32									
Axle 33									
Axle 34									
Axle 35									
Axle 36									
Axle 37									
Axle 38									
Axle 39									
Axle 40									
Axle 41									
Axle 42									
Axle 43									
Axle 44									
Axle 45									
Axle 46									
Axle 47									
Axle 48									
Axle 49									
Axle 50									
Axle 51									
Axle 52									
Axle 53									
Axle 54									
Axle 55									
Axle 56									
Axle 57									
Axle 58									
Axle 59									
Axle 60									
Axle 61									
Axle 62									
Axle 63									
Axle 64									
Axle 65									
Axle 66									
Axle 67									
Axle 68									
Axle 69									
Axle 70									
Axle 71									
Axle 72									
Axle 73									
Axle 74									
Axle 75									
Axle 76									
Axle 77									
Axle 78									
Axle 79									
Axle 80									
Axle 81									
Axle 82									
Axle 83									
Axle 84									
Axle 85									
Axle 86									
Axle 87									
Axle 88									
Axle 89									
Axle 90									
Axle 91									
Axle 92									
Axle 93									
Axle 94									
Axle 95									
Axle 96									
Axle 97									
Axle 98									
Axle 99									
Axle 100									

967PKX2
 1,25 %
 HA= 3,909
 e1*2018/858*00057
 WIT96700520629666
 11990 kg
 22000 kg
 4900 kg
 8100 kg
 XXXXX kg
 XXXXX kg
 XXXXX kg

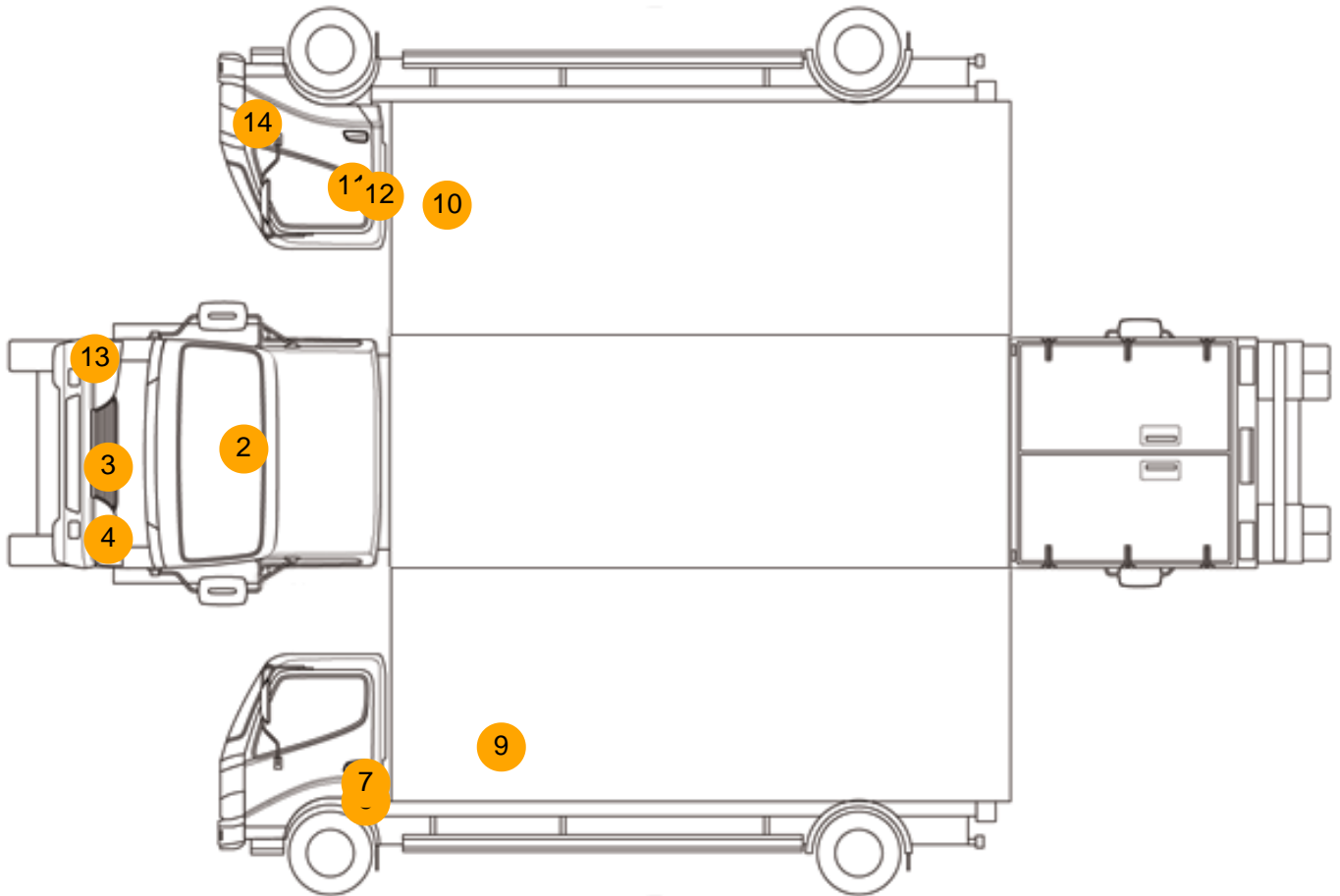


10
 320
 MAX PRESSURE
 MAX FLOW
 READY FOR STARTING OPERATION





Condition Check



Damage Photos



1: Carpets Front
Holed
Over 3mm

2: Screen Front
Chipped
Over 10mm



3: Bonnet
Chipped
Multiple Chips

4: Bumper Front
Insecure
Action Required



5: Bumper Front
Scratched
Over 100mm Thru Paint

6: Door nsf
Scratched
Over 25mm Thru Paint



7: Door nsf
Chipped
Multiple Chips

8: Roof
Cracked
Replace



9: Qtr Panel nsr
Dented
With Paint Damage

10: Qtr Panel osr
Scratched
Over 25mm Thru Paint



11: Door osf
Chipped
Multiple Chips

12: Door osf
Chipped
Over 5mm



13: Bumper Front
Insecure
Action Required

14: Moulding osf Wing
Scratched (Painted)
Over 25mm Thru Paint

Interior

Carpet Condition	Average	Upholstery Condition	OK
Seat Condition	OK	Odour	-
Engine Runs	OK	No Excessive Smoking	OK
EML light illuminated	OK	DPF light illuminated	OK
ABS light illuminated	OK		