



COMMERCIAL VEHICLE AUCTIONS LTD
THE UK'S MOST ESTABLISHED COMMERCIAL VEHICLE AUCTIONEERS

Carr Hill Industrial Estate
Doncaster
DN4 8DE

01302 732600 | cva.noreply@cva-auctions.co.uk

VEHICLE INSPECTION REPORT

PF18YFD

Fiat Doblo II 1.3 MULTIJET 16V 95PS

Inspection		Vehicle	
Serious Damage?	No	VAT	Plus VAT
		V5	Present

Details			
Reg. date	09/08/2018	Colour	WHITE
Year	2018	VIN	ZFA26300006L15029
Mileage	75,220 Miles Warranted	Body Style	Panel Van L1
Fuel Type	Diesel	MOT Due	08/08/2026
GVW	2020kg	CAP Clean	£2,875.00
		CAP Average	£2,425.00
		CAP Below	£1,850.00
		Gearbox	MANUAL
		Gears	5

NOISY ENGINE, ACCIDENT DAMAGE TO N/S UNABLE TO OPEN PASSENGER DOOR FROM OUTSIDE, WARNING LIGHTS ON DASH SIDE LOAD DOOR, TOW BAR, E/ MIRRORS, HEATED WINDSCREEN

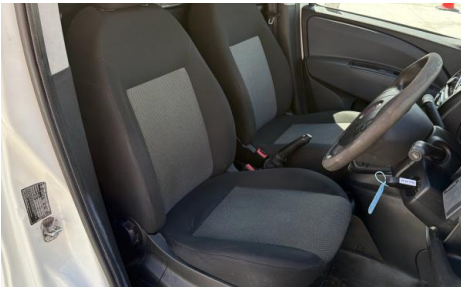
Tyres	
NSF	
NSR	
OSF	
OSR	
Spare	

Features

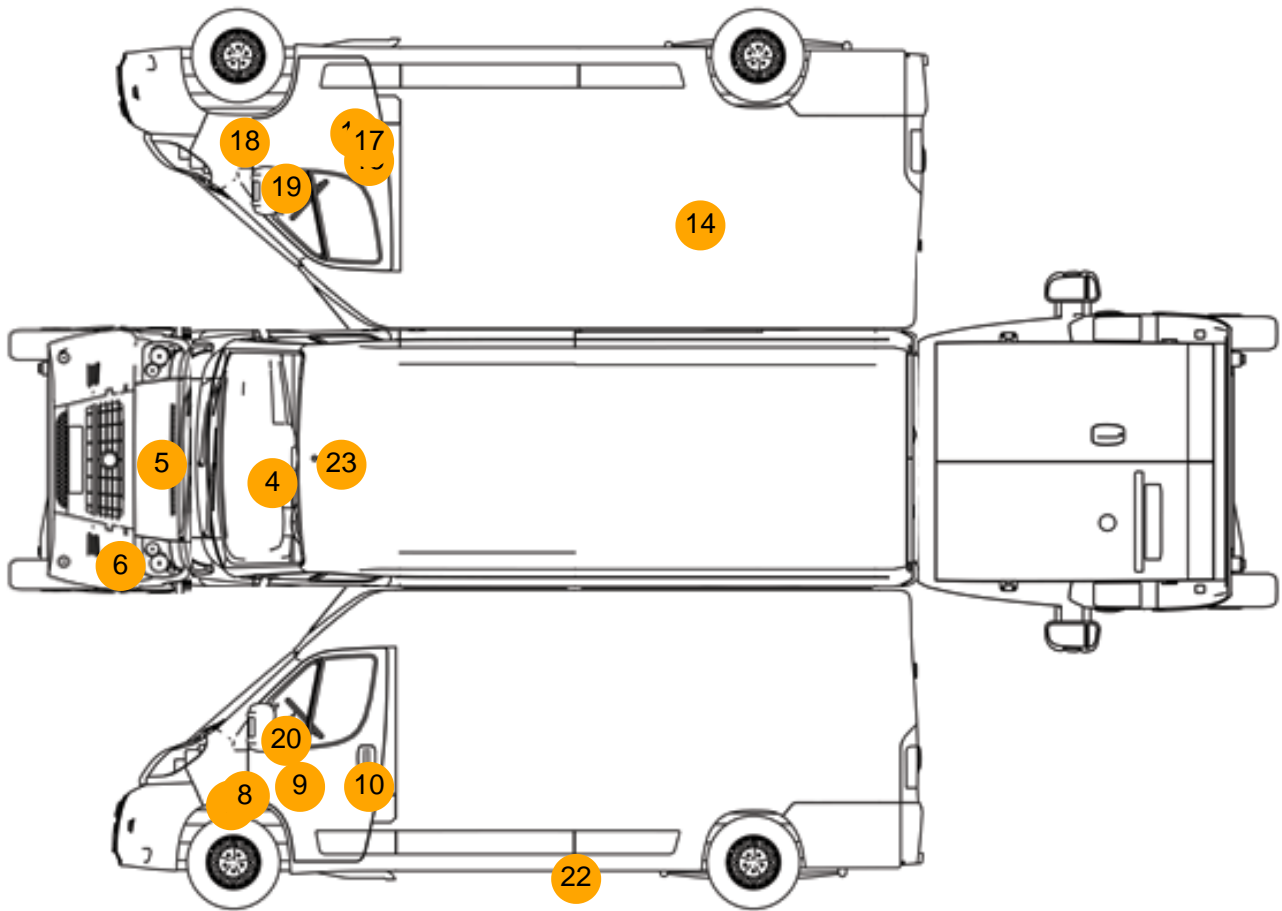
- Bluetooth connection
- Radio/CD
- Front electric windows
- Drivers airbag
- Central locking
- Cloth seat trim

Photos





Condition Check

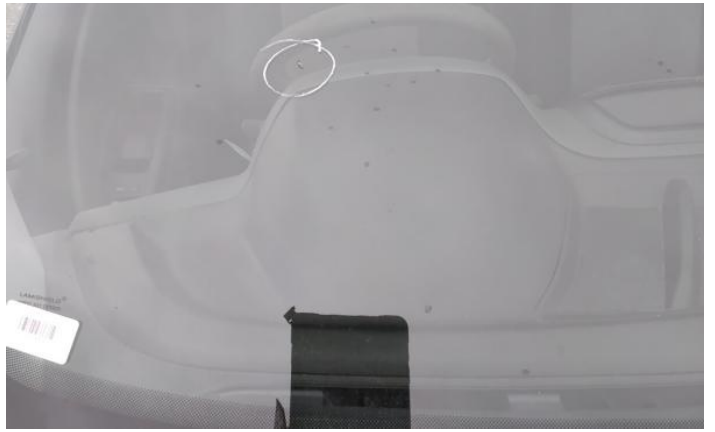


Damage Photos



1: Dash Warning Lights
Displayed
No Action

2: Centre Console Front
Holed
Over 3mm



3: Carpets Front
Holed
Over 3mm

4: Screen Front
Chipped
Up To 10mm



5: Bonnet
Chipped
Multiple Chips

6: Bumper Front
Insecure
Action Required



7: Wing nsf
Dented
With Paint Damage

8: Wing nsf
Chipped
Multiple Chips



9: Door nsf
Chipped
Multiple Chips

10: Door nsf
Dented
Hail - Severe



11: Handle Outer nsf
Broken
Replace

12: Handle Outer nsr
Broken
Replace



13: Qtr Panel nsr
Dented
Hail - Severe

14: Qtr Panel osr
Dented
Between 10mm + 30mm



15: Door osf
Dented
With Paint Damage

16: Door osf
Dented
With Paint Damage



17: Door osf
Dented
Between 10mm + 30mm

18: Wing osf
Dented
With Paint Damage



19: Door Mirror Assy osf
Broken
Replace

20: Door Mirror Assy nsf
Broken
Replace



21: Sill os
Cracked
Replace

22: Sill ns
Cracked
Replace



23: Roof
Rusted
Over 5mm

Interior

Carpet Condition	-	Upholstery Condition	-
Seat Condition	-	Odour	-
Engine Runs	OK	Gearbox 1st and Reverse Test	OK
Parking Brake	OK	No Excessive Smoking	OK
EML light illuminated	Fault	DPF light illuminated	OK
ABS light illuminated	OK		