



COMMERCIAL VEHICLE AUCTIONS LTD
THE UK'S MOST ESTABLISHED COMMERCIAL VEHICLE AUCTIONEERS

Carr Hill Industrial Estate
Doncaster
DN4 8DE

01302 732600 | cva.noreply@cva-auctions.co.uk

VEHICLE INSPECTION REPORT

WR72RZJ

Ford Transit Connect 230 1.5 ECO BLUE 100PS

Inspection		Vehicle	
Serious Damage?	No	VAT	Plus VAT
		V5	Present

Details					
Reg. date	01/12/2022	Colour	WHITE	CAP Clean	£7,325.00
Year	2022	VIN	WF0SXXWPGSNU73704	CAP Average	£6,650.00
Mileage	69,152 Miles Warranted	Body Style	Panel Van L2	CAP Below	£5,575.00
Fuel Type	Diesel	Service history	Yes	Gearbox	MANUAL
GVW	2255kg	MOT Due	30/11/2026	Gears	6

WARNING LIGHT ON DASH AD-BLUE, TWIN SIDE LOADING DOORS

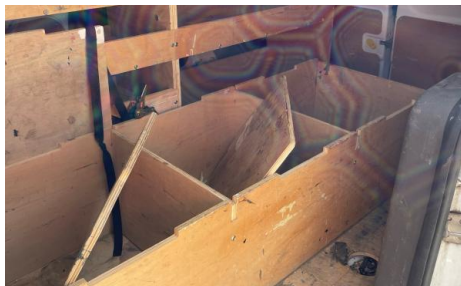
Tyres	
NSF	
NSR	
OSF	
OSR	
Spare	

Features

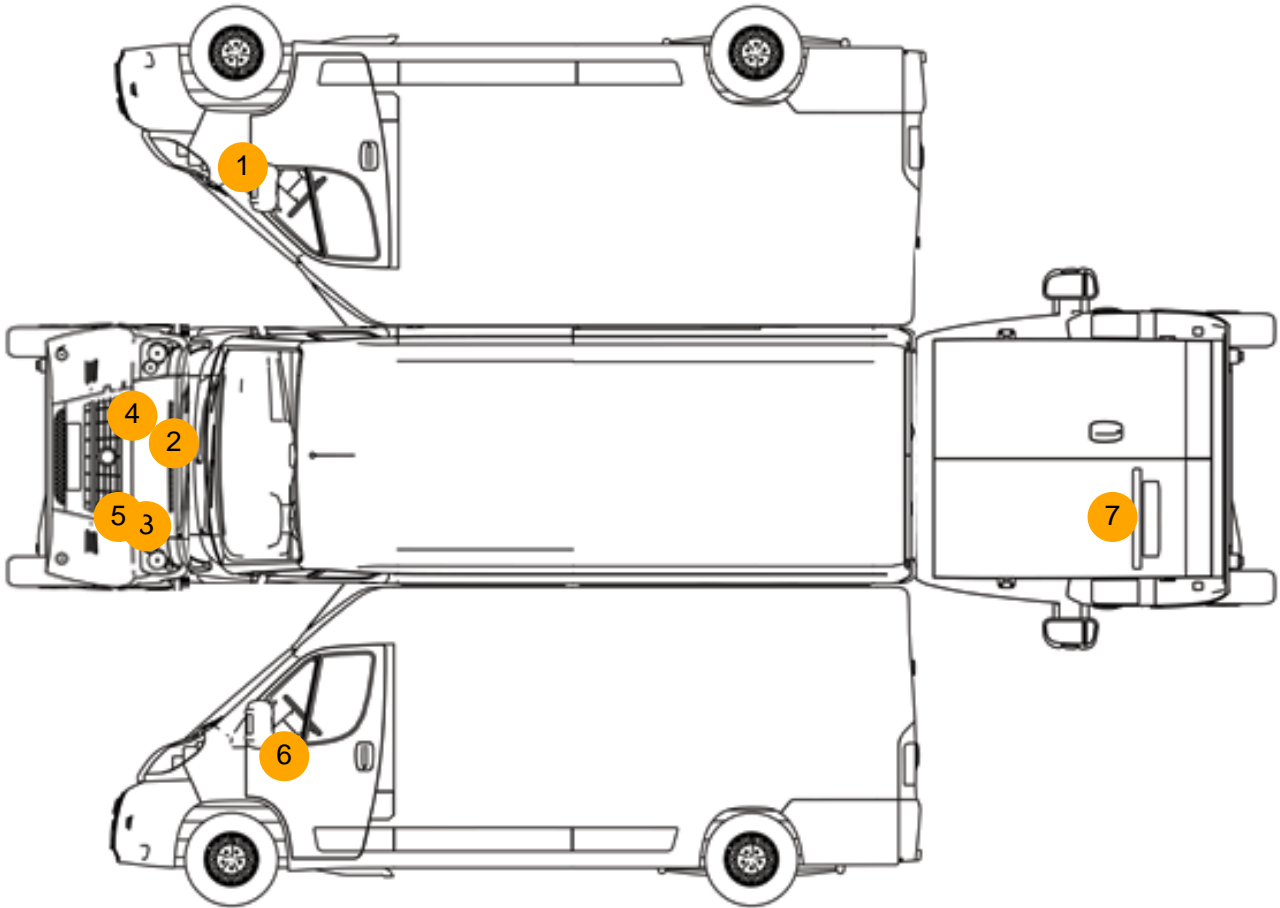
- Air conditioning
- Front electric windows

Photos





Condition Check



Damage Photos



1: Wing of
Chipped
Multiple Chips



2: Bonnet
Chipped
Multiple Chips



3: Panel Front
Scratched
UpTo 25mm Thru Paint

4: Front TowEye Cvr
Missing
Replace



5: Bumper Front
Cracked
Over 25mm

6: Door Mirror Assy nsf
Scuffed (Unpainted)
UpTo 100mm



7: Door nsr
Dented
Over 30mm

8: Seat Base Cover osf
Torn
Over 3mm

Interior

Carpet Condition	Average	Upholstery Condition	Average
Seat Condition	Average	Odour	No
Engine Runs	OK	Gearbox 1st and Reverse Test	OK
Brakes	OK	Clutch Slip Test from Static	OK
Parking Brake	OK	Gearbox Static Gear Selection (engine running)	OK
		No Excessive Smoking	OK
EML light illuminated	OK	Oil warning light illuminated	OK
Airbag light illuminated	OK	DPF light illuminated	Fault
ABS light illuminated	OK	Service indicator light illuminated	OK