



**COMMERCIAL VEHICLE AUCTIONS LTD**  
THE UK'S MOST ESTABLISHED COMMERCIAL VEHICLE AUCTIONEERS

Carr Hill Industrial Estate  
Doncaster  
DN4 8DE

01302 732600 | cva.noreply@cva-auctions.co.uk

# VEHICLE INSPECTION REPORT

**DE69AVD**

## Man TGS 18.430

**Non Runner**

Inspection		Vehicle	
Serious Damage?	No	VAT	Plus VAT
		V5	Present

### Details

Reg. date	18/10/2019	Colour	RED	Cab Type	SLEEPER CAB
Year	2019	VIN	WMA06SZZ4LP137341	Gearbox	AUTOMATIC
Mileage	Not Showing	Body Style	Tractor Unit	Axle Combi	4x2
Fuel Type	Diesel	MOT Due	31/10/2026	Rear Suspension	Air

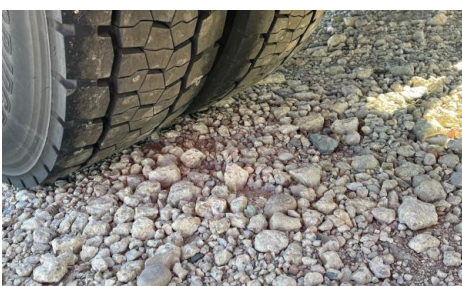
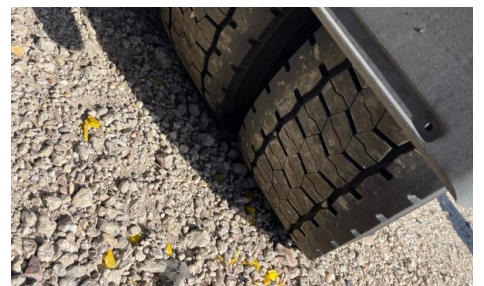
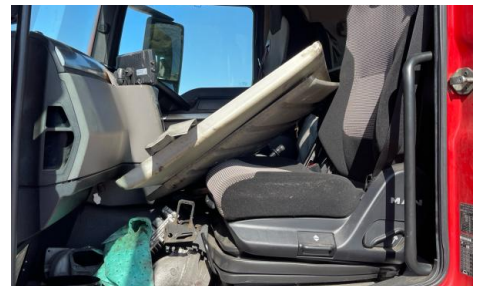
\*NON-RUNNER, ENGINE STRIPPED\* MOT SHOWS 872,550 KM 17/10/2025

### Tyres

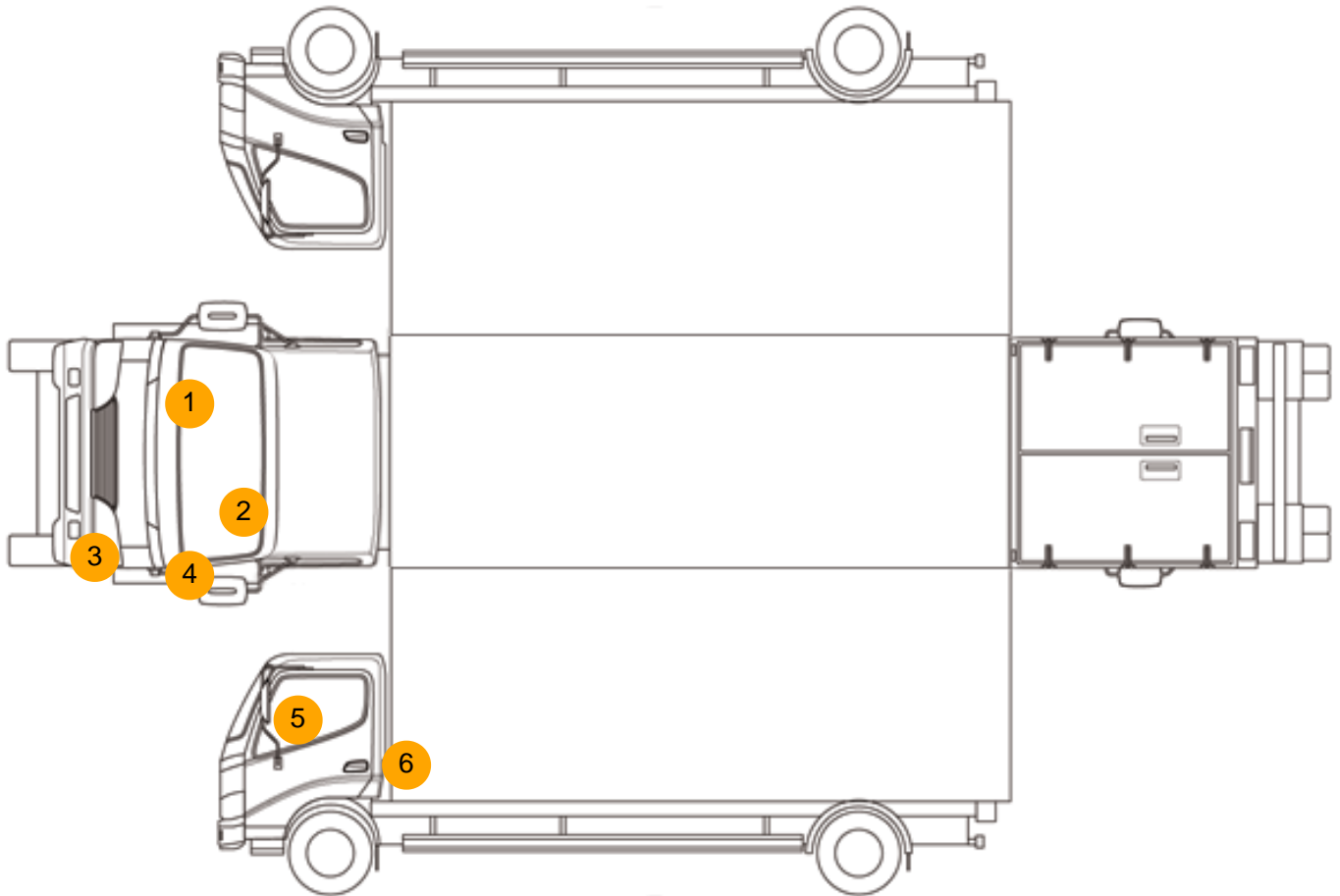
NSF	NSI1	NSI2	NSI3	NSI4
OSF	OSI1	OSI2	OSI3	OSI4
Spare	NSO1	NSO2	NSO3	NSO4
	OSO1	OSO2	OSO3	OSO4

### Photos





## Condition Check



## Damage Photos



1: Wing osf  
Chipped  
Multiple Chips

2: Screen Front  
Chipped  
Over 10mm



3: Bumper Front Moulding  
Scuffed (Unpainted)  
Over 100mm

4: Wing nsf  
Scratched  
Over 25mm Thru Paint



5: Door Mirror Assy nsf  
Scuffed (Unpainted)  
Over 100mm

6: Qtr Panel nsr  
Cracked  
Replace



7: Other  
N/A  
N/A

8: Handle Inner nsf  
Missing  
Replace

**Interior**

**Carpet Condition**  
**Seat Condition**

Average  
Average

**Upholstery Condition**  
**Odour**

Average  
-

Engine Runs Fault