



**COMMERCIAL VEHICLE AUCTIONS LTD**  
THE UK'S MOST ESTABLISHED COMMERCIAL VEHICLE AUCTIONEERS

Carr Hill Industrial Estate  
Doncaster  
DN4 8DE

01302 732600 | cva.noreply@cva-auctions.co.uk

# VEHICLE INSPECTION REPORT

**PO18RXY**

## Daf CF 250

Inspection		Vehicle	
Serious Damage?	No	VAT	Plus VAT
		V5	To Follow

### Details

Reg. date	01/05/2018	VIN	XLRAEM3700G183327	Axle Combi	4x2
Year	2018	Body Style	Curtainside	Rear Suspension	Air
Mileage	393,905 Km Warranted	MOT Due	31/08/2026	Rear Doors	Roller
Fuel Type	Diesel	Cab Type	DAY CAB	Tail Lift	Column
Colour	RED	Gearbox	AUTOMATIC		

\*WARNING LIGHTS ON DASH\*

### Tyres

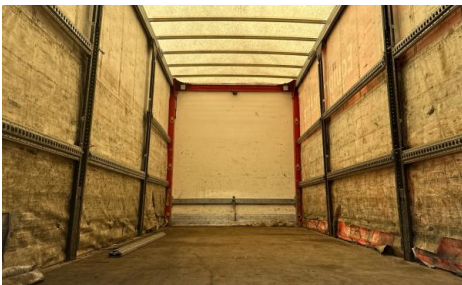
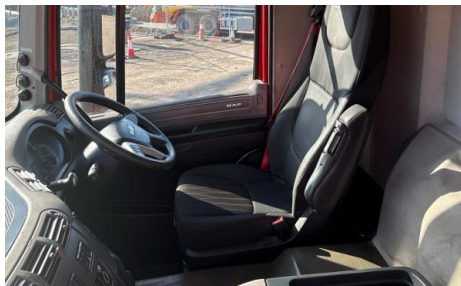
NSF	NSI1	NSI2	NSI3	NSI4
OSF	OSI1	OSI2	OSI3	OSI4
Spare	NSO1	NSO2	NSO3	NSO4
	OSO1	OSO2	OSO3	OSO4

## Features

- Bluetooth connection
- Air conditioning
- Navigation system
- Front electric windows
- Digital radio
- Central locking
- Radio/CD
- Cloth seat trim

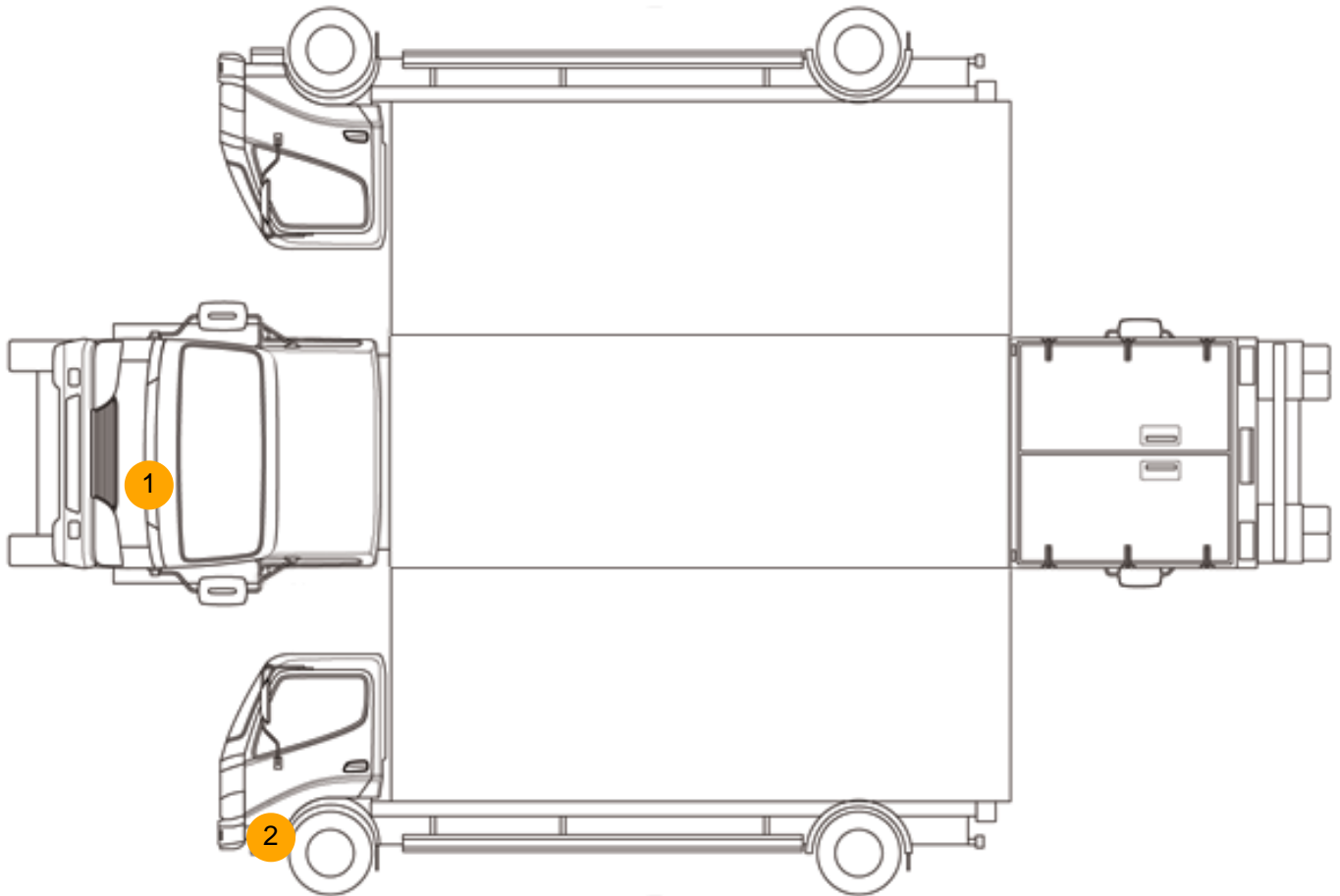
## Photos







## Condition Check



## Damage Photos



1: Bonnet  
Chipped  
Multiple Chips



2: Bumper Front  
Dented  
With Paint Damage



3: Seat Base Cover nsf  
 Soiled  
 Heavy

**Interior**

<b>Carpet Condition</b>	OK	<b>Upholstery Condition</b>	OK
<b>Seat Condition</b>	Poor	<b>Odour</b>	-
Engine Runs	OK	No Excessive Smoking	OK
EML light illuminated	OK	DPF light illuminated	OK
ABS light illuminated	OK		