



**COMMERCIAL VEHICLE AUCTIONS LTD**  
THE UK'S MOST ESTABLISHED COMMERCIAL VEHICLE AUCTIONEERS

Carr Hill Industrial Estate  
Doncaster  
DN4 8DE

01302 732600 | cva.noreply@cva-auctions.co.uk

# VEHICLE INSPECTION REPORT

**BU70YCL**

## DAF LF 180

Inspection		Vehicle	
Serious Damage?	No	VAT	Plus VAT
		V5	Present

### Details

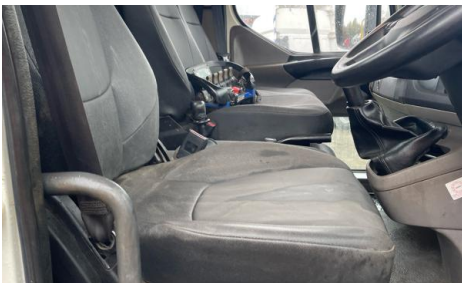
Reg. date	19/10/2020	VIN	XLRAEL1500L497038	Cab Type	DAY CAB
Year	2020	Body Style	Dropside & Crane	Gearbox	MANUAL
Mileage	73,023 Km Warranted	Service history	Full	Axle Combi	4x2
Fuel Type	Diesel	Service documents	Printout	Rear Suspension	Steel
Colour	WHITE	MOT Due	31/10/2026		

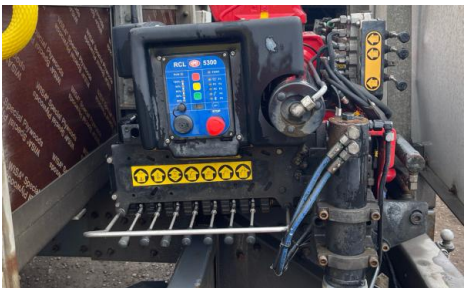
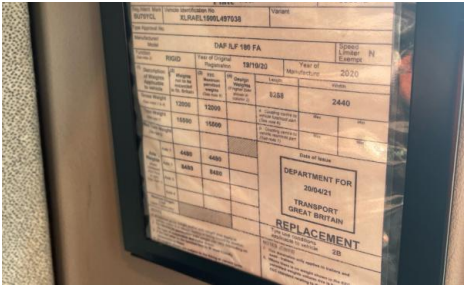
HMF 910K REMOTE CRANE (YEAR 2020)

### Tyres

NSF	NSI1	NSI2	NSI3	NSI4
OSF	OSI1	OSI2	OSI3	OSI4
Spare	NSO1	NSO2	NSO3	NSO4
	OSO1	OSO2	OSO3	OSO4

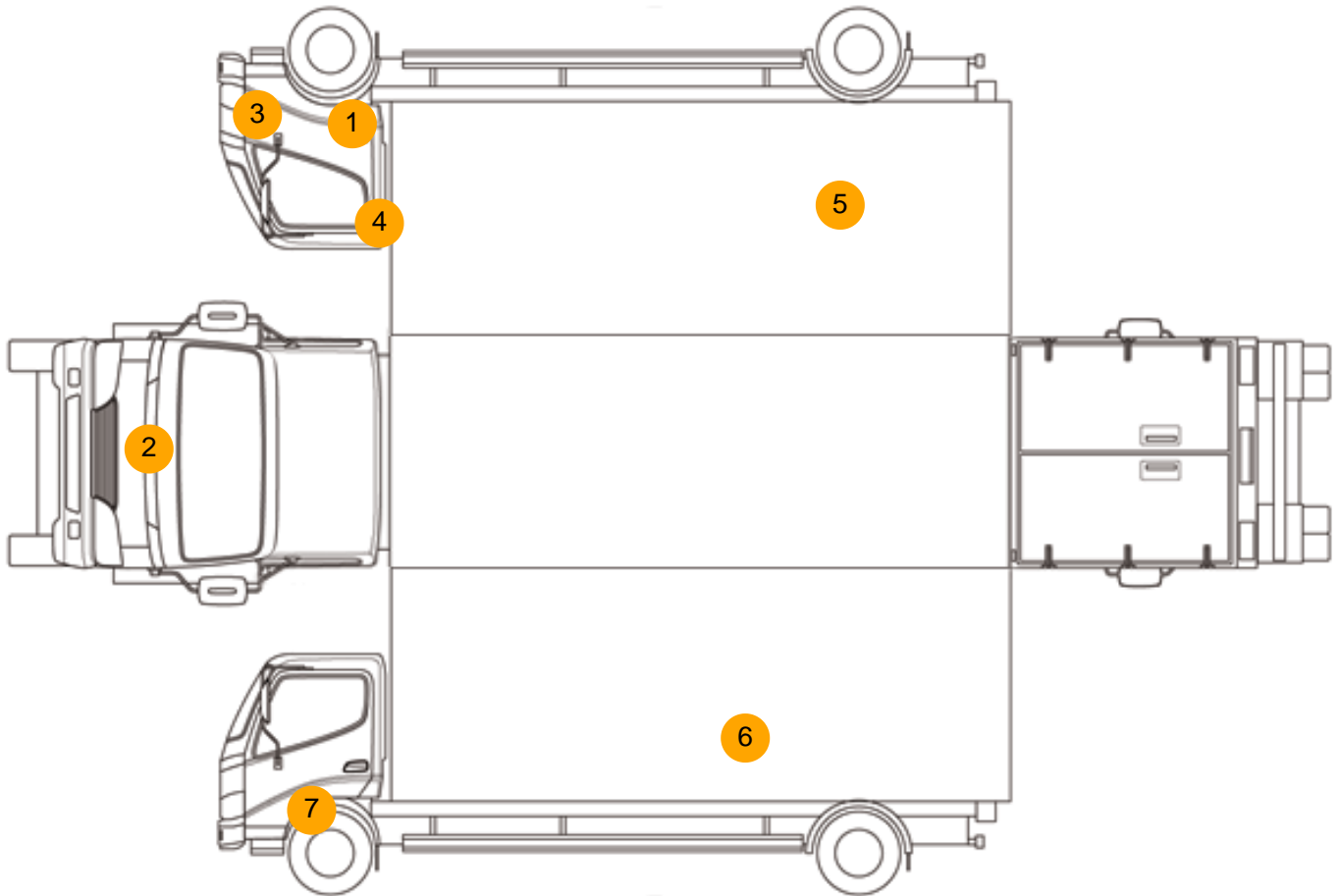
### Photos







## Condition Check



## Damage Photos



1: Door Moulding of  
Scuffed (Unpainted)  
Over 100mm

2: Bonnet  
Chipped  
1 To 5



3: Wing osf  
Scratched  
Over 25mm Thru Paint

4: Door osf  
Dented  
Over 30mm



5: Qtr Panel osr  
Dented  
With Paint Damage

6: Qtr Panel nsr  
Rusted  
Over 5mm



7: Door Moulding osf  
Scuffed (Unpainted)  
Over 100mm

## Interior

<b>Carpet Condition</b>	-	<b>Upholstery Condition</b>	-
<b>Seat Condition</b>	-	<b>Odour</b>	-
Engine Runs	OK	Gearbox 1st and Reverse Test	OK
Brakes	OK	Clutch Slip Test from Static	OK
Turbo Boosting	OK	Gearbox Static Gear Selection (engine running)	OK
Parking Brake	OK	No Excessive Smoking	OK
EML light illuminated	OK	Oil warning light illuminated	OK
Airbag light illuminated	OK	DPF light illuminated	OK
ABS light illuminated	OK	Service indicator light illuminated	OK
Windows	OK	Radio	OK
		Steering	OK