



COMMERCIAL VEHICLE AUCTIONS LTD
THE UK'S MOST ESTABLISHED COMMERCIAL VEHICLE AUCTIONEERS

Carr Hill Industrial Estate
Doncaster
DN4 8DE

01302 732600 | cva.noreply@cva-auctions.co.uk

VEHICLE INSPECTION REPORT

HX23YMJ

Mercedes-Benz Atego 1223

Inspection		Vehicle	
Serious Damage?	No	VAT	Plus VAT
		V5	Present

Details			
Reg. date	24/04/2023	Colour	WHITE
Year	2023	VIN	W1T96700520637259
Mileage	61,150 Km Warranted	Body Style	Pole Erection Unit
Fuel Type	Diesel	MOT Due	30/04/2026
		Gearbox	AUTOMATIC
		Rear Suspension	Steel

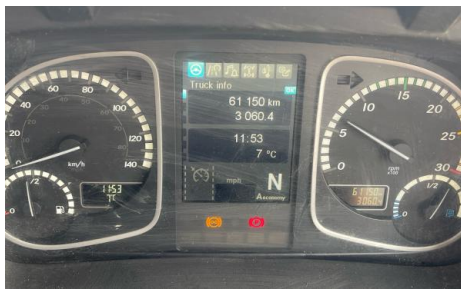
PALFINGER PK 9.501 SLD REMOTE CRANE (YEAR 2022), AUTOGUIDE EQUIPMENT AUGER (YEAR 2022), WEIGH SYSTEM

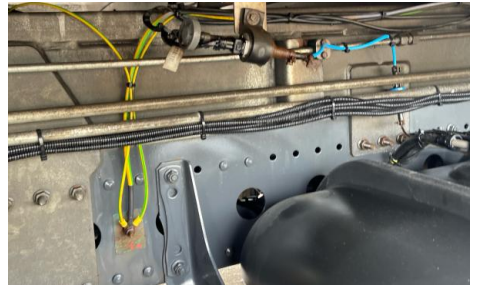
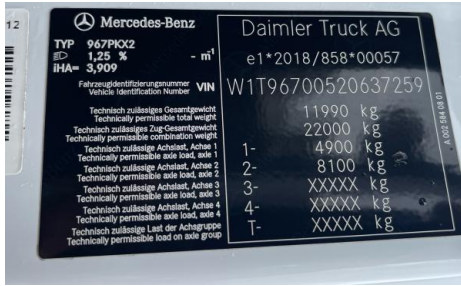
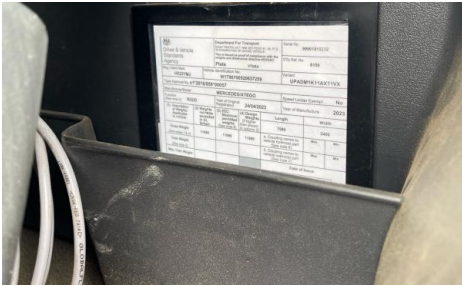
Tyres				
NSF	NSI1	NSI2	NSI3	NSI4
OSF	OSI1	OSI2	OSI3	OSI4
Spare	NSO1	NSO2	NSO3	NSO4
	OSO1	OSO2	OSO3	OSO4

Features

- Bluetooth connection
- Front electric windows
- Cruise control
- Drivers airbag
- Park assist camera
- Cloth seat trim
- Air conditioning

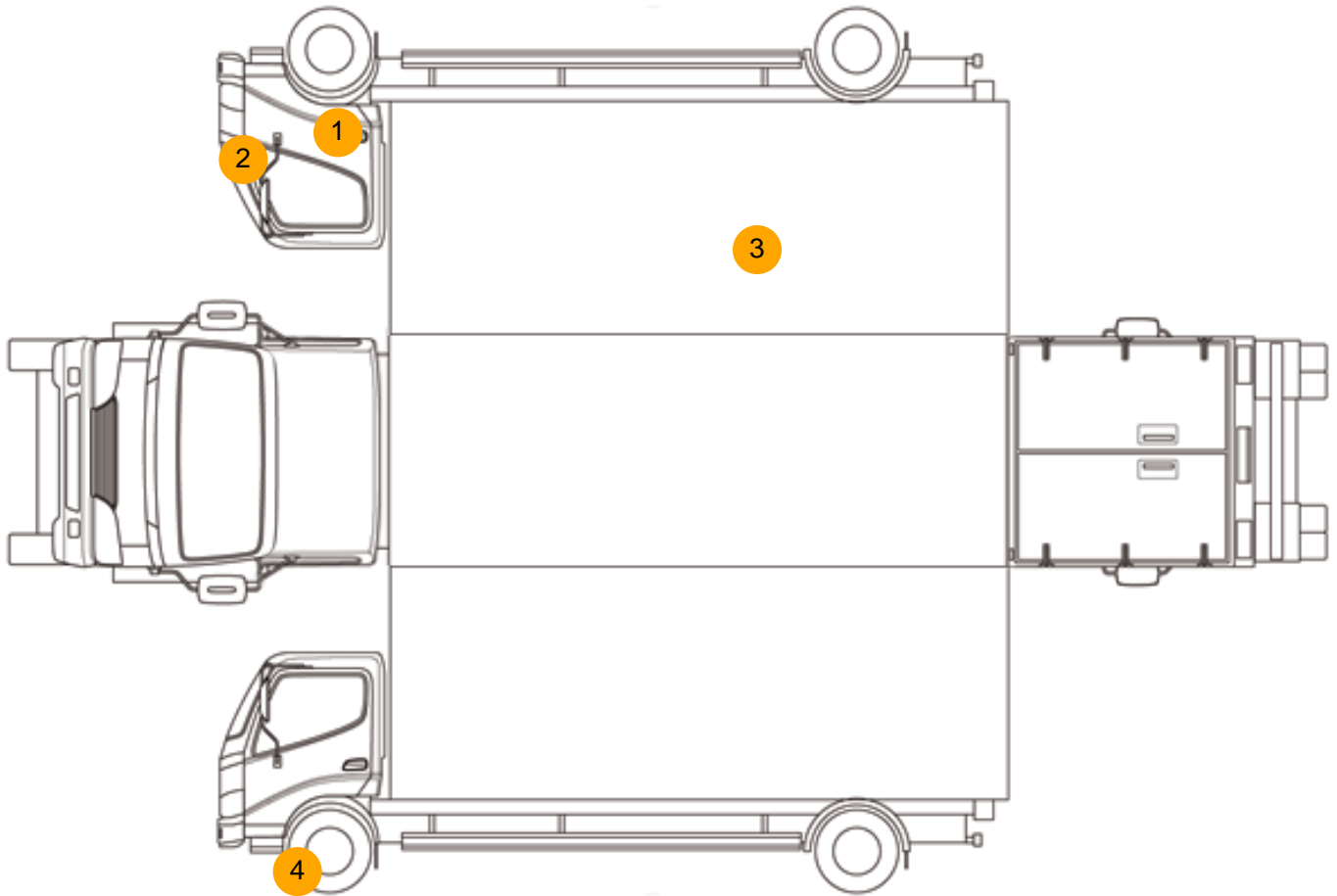
Photos







Condition Check



Damage Photos



1: Door Moulding of
Scuffed (Unpainted)
Over 100mm



2: Wing of
Scratched
Up To 25mm Not Thru Paint



3: Qtr Panel osr
Dented
With Paint Damage

4: Door Moulding nsf
Scuffed (Unpainted)
Over 100mm

Interior

Carpet Condition	Average	Upholstery Condition	Average
Seat Condition	Average	Odour	-
Engine Runs	OK	Gearbox 1st and Reverse Test	OK
Brakes	OK	Clutch Slip Test from Static	OK
Turbo Boosting	OK	Gearbox Static Gear Selection (engine running)	OK
		No Excessive Smoking	OK
EML light illuminated	OK	Oil warning light illuminated	OK
Airbag light illuminated	OK	DPF light illuminated	OK
ABS light illuminated	OK	Service indicator light illuminated	OK
Windows	OK	Radio	OK
		Steering	OK