



COMMERCIAL VEHICLE AUCTIONS LTD
THE UK'S MOST ESTABLISHED COMMERCIAL VEHICLE AUCTIONEERS

Carr Hill Industrial Estate
Doncaster
DN4 8DE

01302 732600 | cva.noreply@cva-auctions.co.uk

VEHICLE INSPECTION REPORT

EY18GVW

Scania G 450

Inspection		Vehicle	
Serious Damage?	No	VAT	Plus VAT
		V5	Buyer To Apply

Details					
Reg. date	15/03/2018	Colour	WHITE	Cab Type	DAY CAB
Year	2018	VIN	YS2G8X40005499754	Gearbox	AUTOMATIC
Mileage	675,216 Km Not Warranted	Body Style	Tipper	Axle Combi	8x4
Fuel Type	Diesel	MOT Due	31/05/2026	Rear Suspension	Steel

WARNING LIGHTS ON DASH ALLOY BULK BODY, SURROUND CAMERA SYSTEM, SHEETING SYSTEM

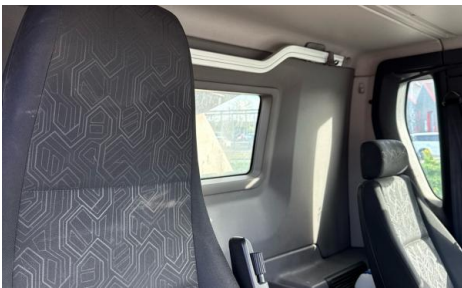
Tyres				
NSF	NSI1	NSI2	NSI3	NSI4
OSF	OSI1	OSI2	OSI3	OSI4
Spare	NSO1	NSO2	NSO3	NSO4
	OSO1	OSO2	OSO3	OSO4

Features

- Bluetooth connection
- Digital radio
- Cloth seat trim
- Cruise control
- Air conditioning
- Park assist camera
- Front electric windows
- Auxiliary input socket
- Central locking

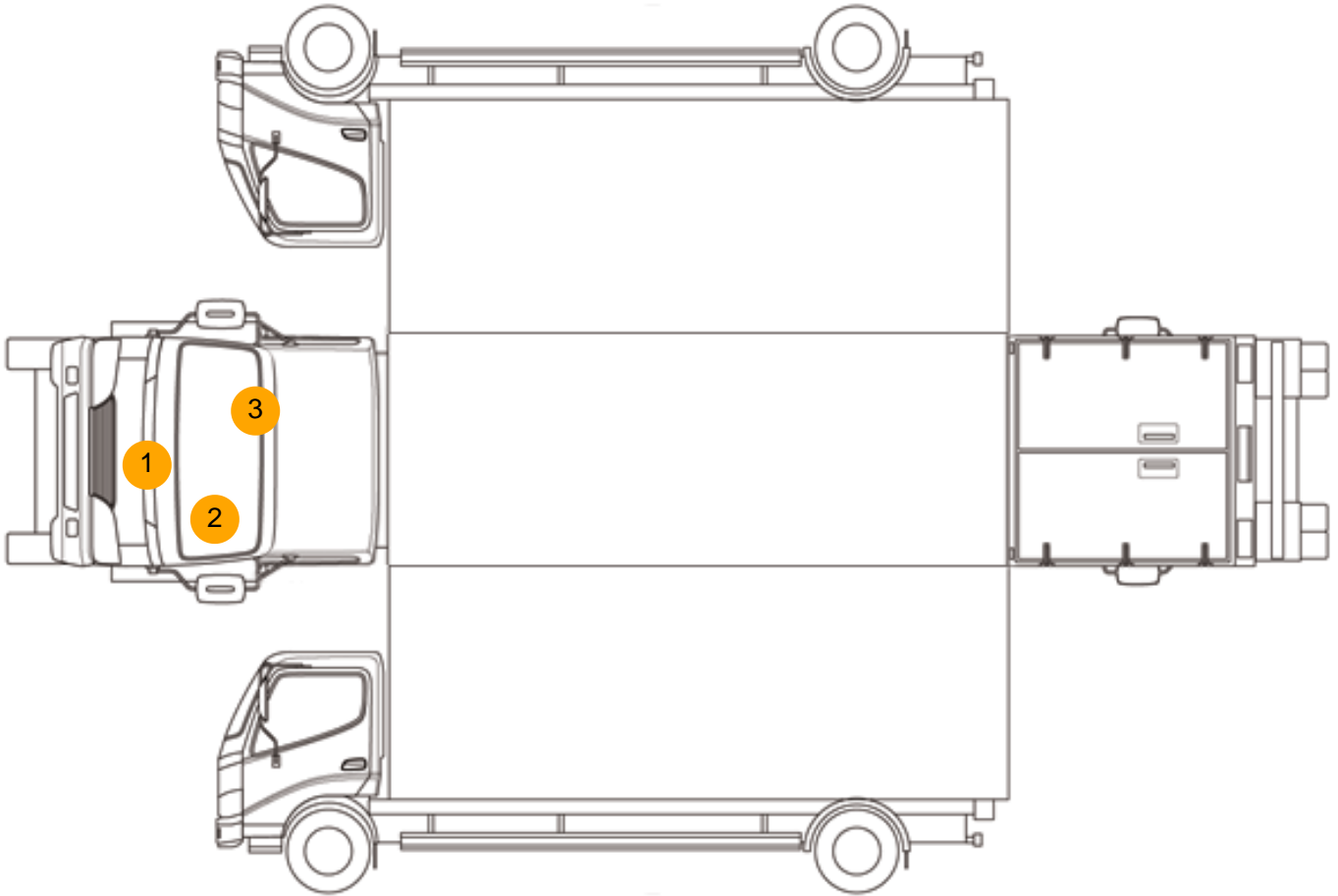
Photos







Condition Check



Damage Photos



1: Bonnet
Chipped
Multiple Chips

2: Screen Front
Scratched
Over 30mm



3: Screen Front
Cracked
Replace

4: Dash Warning Lights
Displayed
No Action

Interior

Carpet Condition OK
Seat Condition OK

Upholstery Condition OK
Odour -

Engine Runs	OK	Gearbox 1st and Reverse Test	OK
Brakes	OK	Clutch Slip Test from Static	OK
Turbo Boosting	OK	Gearbox Static Gear Selection (engine running)	OK
Parking Brake	OK	No Excessive Smoking	OK
EML light illuminated	Fault	Oil warning light illuminated	OK
Airbag light illuminated	OK	DPF light illuminated	OK
ABS light illuminated	OK	Service indicator light illuminated	OK