



COMMERCIAL VEHICLE AUCTIONS LTD
THE UK'S MOST ESTABLISHED COMMERCIAL VEHICLE AUCTIONEERS

Carr Hill Industrial Estate
Doncaster
DN4 8DE

01302 732600 | cva.noreply@cva-auctions.co.uk

VEHICLE INSPECTION REPORT

PO18RYG

Daf CF 230

Inspection		Vehicle	
Serious Damage?	No	VAT	Plus VAT
		V5	To Follow

Details

Reg. date	01/05/2018	VIN	XLRAEM3700G182665	Axle Combi	4x2
Year	2018	Body Style	Curtainside	Rear Suspension	Air
Mileage	509,260 Km Warranted	MOT Due	31/05/2026	Rear Doors	Roller
Fuel Type	Diesel	Cab Type	DAY CAB	Tail Lift	Column
Colour	RED	Gearbox	AUTOMATIC		

Tyres

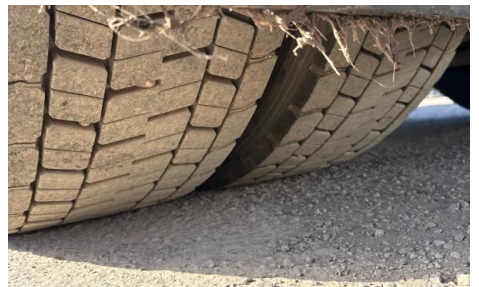
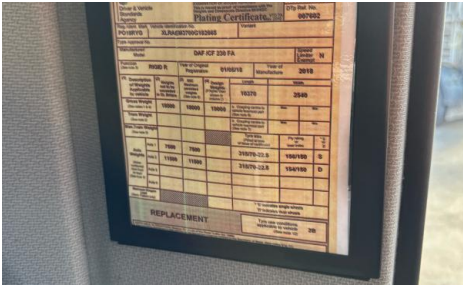
NSF	NSI1	NSI2	NSI3	NSI4
OSF	OSI1	OSI2	OSI3	OSI4
Spare	NSO1	NSO2	NSO3	NSO4
	OSO1	OSO2	OSO3	OSO4

Features

- Bluetooth connection
- Digital radio
- Cloth seat trim
- Cruise control
- Air conditioning
- Navigation system
- Front electric windows
- Park assist camera
- Central locking

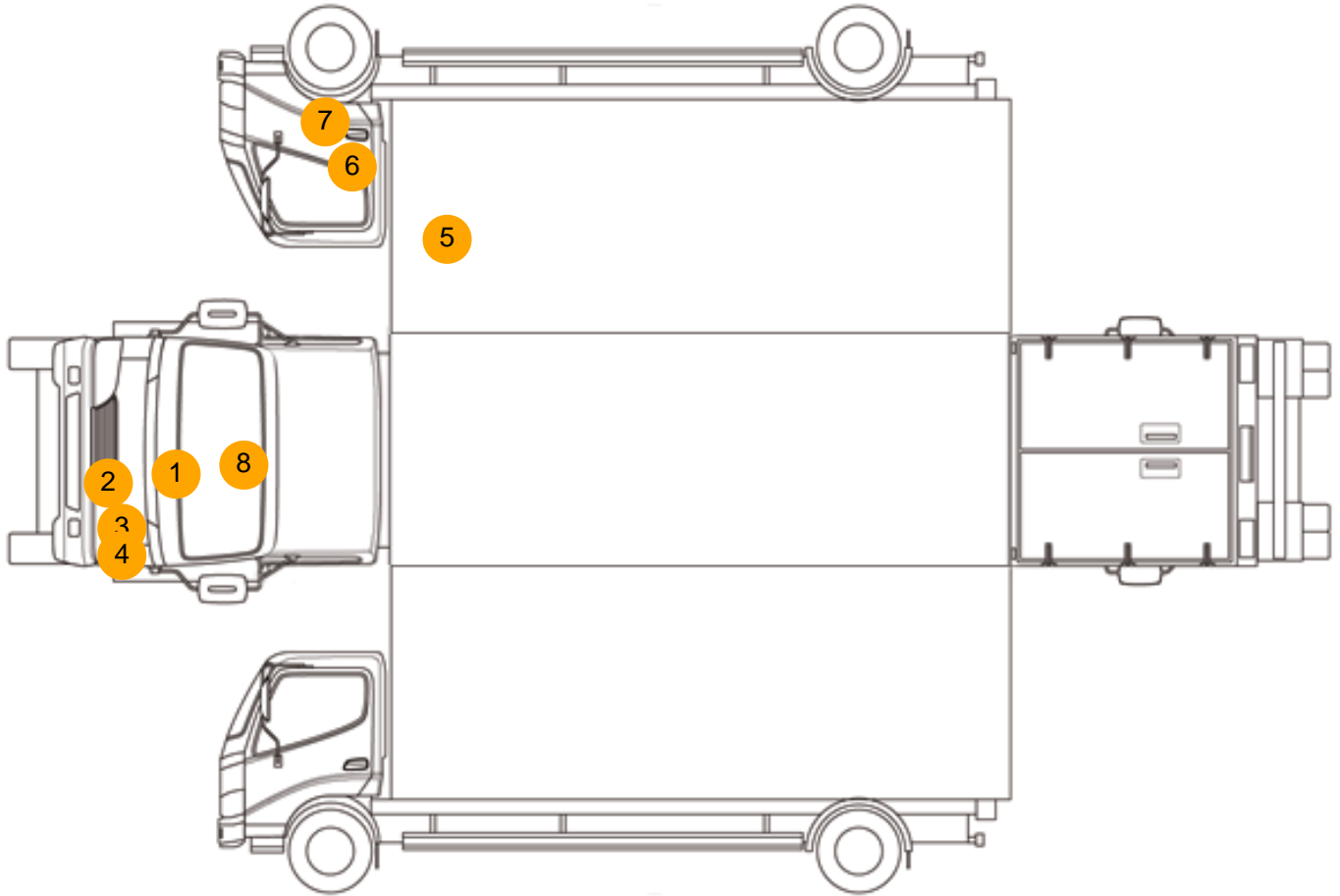
Photos







Condition Check



Damage Photos



1: Bonnet
Chipped
Multiple Chips

2: Bumper Front
Chipped
Multiple Chips



3: Panel Front
Scratched
Over 25mm Thru Paint

4: Bumper Front Moulding
Broken
Replace



5: Qtr Panel osr
Dented
With Paint Damage

6: Door osf
Dented
Over 30mm



7: Door osf
Dented
Over 30mm

8: Screen Front
Chipped
Up To 10mm



9: Seat Base Cover osf
Torn
Over 3mm

10: Seat Base Cover nsf
Soiled
Heavy

Interior

Carpet Condition

OK

Seat Condition

Poor

Upholstery Condition

OK

Odour

-

Engine Runs	OK	No Excessive Smoking	OK
EML light illuminated	OK	DPF light illuminated	OK
ABS light illuminated	OK		