



COMMERCIAL VEHICLE AUCTIONS LTD
THE UK'S MOST ESTABLISHED COMMERCIAL VEHICLE AUCTIONEERS

Carr Hill Industrial Estate
Doncaster
DN4 8DE

01302 732600 | cva.noreply@cva-auctions.co.uk

VEHICLE INSPECTION REPORT

PF20ABN

Mercedes-Benz Sprinter 314 CDI

Inspection		Vehicle	
Serious Damage?	No	VAT	Plus VAT
		V5	To Follow

Details					
Reg. date	31/07/2020	VIN	W1V9076352P256167	CAP Below	£4,325.00
Year	2020	Body Style	Panel Van L3	Gearbox	AUTOMATIC
Mileage	231,276 Miles Warranted	MOT Due	30/07/2026	Gears	6
Fuel Type	Diesel	CAP Clean	£6,200.00		
Colour	WHITE	CAP Average	£5,400.00		

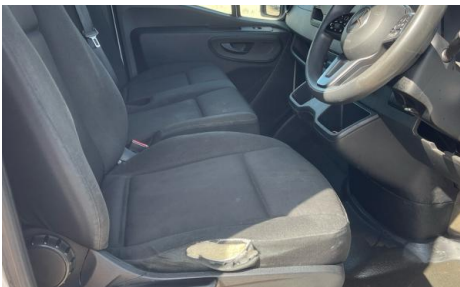
AD BLUE, SIDE LOADING DOOR

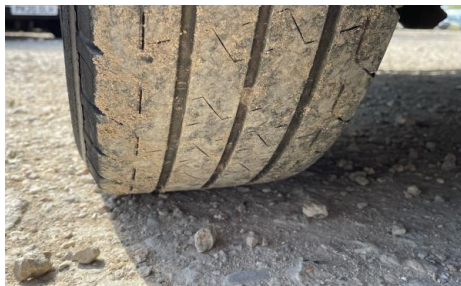
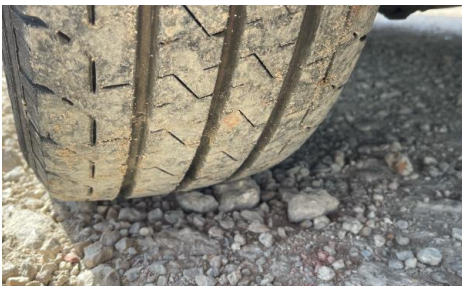
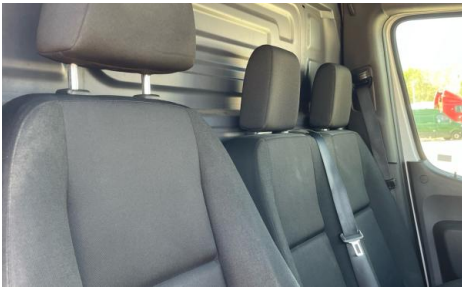
Tyres	
NSF	
NSR	
OSF	
OSR	
Spare	

Features

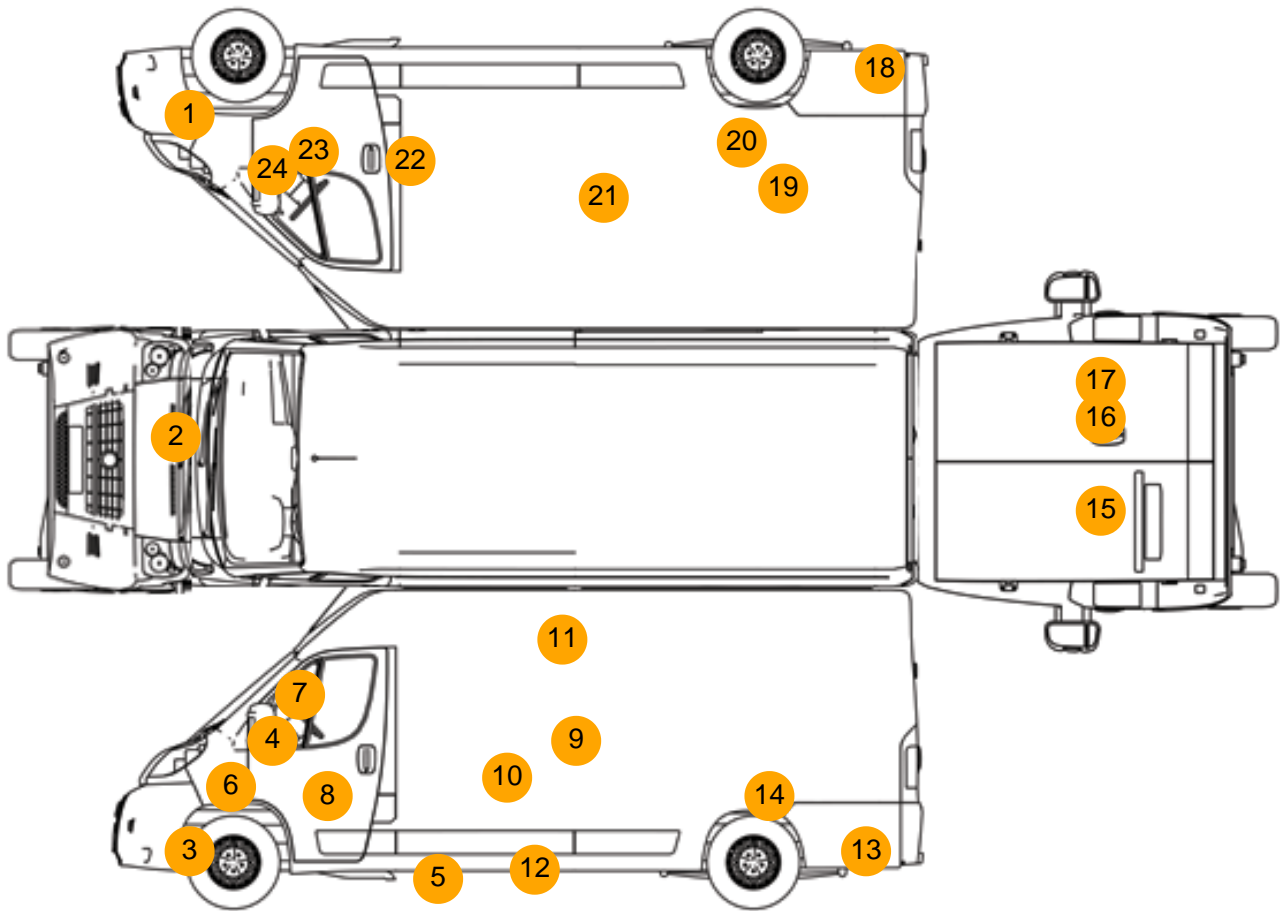
- Rear parking sensor
- Front electric windows

Photos





Condition Check



Damage Photos



1: Bumper Front Moulding
Scuffed (Unpainted)
Over 100mm

2: Bonnet
Chipped
Multiple Chips



3: Bumper Front Moulding
Scuffed (Unpainted)
Over 100mm

4: Door Mirror Assy nsf
Scuffed (Unpainted)
Over 100mm



5: Sill ns
Dented
With Paint Damage

6: Wing nsf
Scratched
Over 25mm Not Thru Paint



7: A Post ns
Scratched
Over 25mm Not Thru Paint

8: Door nsf
Scratched
Over 25mm Not Thru Paint



9: Door nsr
Dented
Over 30mm

10: Door nsr
Scratched
Over 25mm Not Thru Paint



11: Roof
Scratched
Over 25mm Not Thru Paint

12: Door nsr
Dented
Over 30mm



13: Qtr Panel nsr
Dented
With Paint Damage

14: Qtr Panel nsr
Dented
Over 30mm



15: Door nsr
Dented
Between 10mm + 30mm

16: Door osr
Scratched
UpTo 25mm Thru Paint



17: Door osr
Scratched
UpTo 25mm Thru Paint

18: Qtr Panel osr
Dented
With Paint Damage



19: Qtr Panel osr
Dented
With Paint Damage

20: Qtr Panel osr
Dented
With Paint Damage



21: Qtr Panel osf
Dented
With Paint Damage

22: Door osf
Chipped
Edge Chip



23: Door osf
Dented
With Paint Damage

24: Wing osf
Scratched
Over 25mm Thru Paint



25: Seat Base Cover osf
Holed
Over 3mm

Interior

Carpet Condition	Average	Upholstery Condition	Average
Seat Condition	Average	Odour	No
Engine Runs	OK	Gearbox 1st and Reverse Test	OK
Brakes	OK	Clutch Slip Test from Static	OK
Parking Brake	OK	Gearbox Static Gear Selection (engine running)	OK
		No Excessive Smoking	OK
EML light illuminated	OK	Oil warning light illuminated	OK
Airbag light illuminated	OK	DPF light illuminated	OK
ABS light illuminated	OK	Service indicator light illuminated	OK