



COMMERCIAL VEHICLE AUCTIONS LTD
THE UK'S MOST ESTABLISHED COMMERCIAL VEHICLE AUCTIONEERS

Carr Hill Industrial Estate
Doncaster
DN4 8DE

01302 732600 | cva.noreply@cva-auctions.co.uk

VEHICLE INSPECTION REPORT

SD18ODW

Vauxhall Combo 2000 1.3 CDTI 16V 95PS

Non Runner

Inspection		Vehicle	
Serious Damage?	No	VAT	Plus VAT
		V5	Present

Details					
Reg. date	29/05/2018	VIN	W0L6ZZU1AJ9633653	Gearbox	MANUAL
Year	2018	Body Style	Panel Van	Gears	5
Mileage	Not Showing	MOT Due	Expired	Axle Combi	4x2
Fuel Type	Diesel	CAP Clean	£1,500.00	Rear Suspension	Steel
GVW	2040kg	CAP Average	£1,250.00	Rear Doors	Barn
Colour	WHITE	CAP Below	£950.00		

NON RUNNER - ACCIDENT DAMAGED MAY OR MAY NOT APPEAR ON VCAR MOT SHOWS 120,747 MILES 19/05/2025

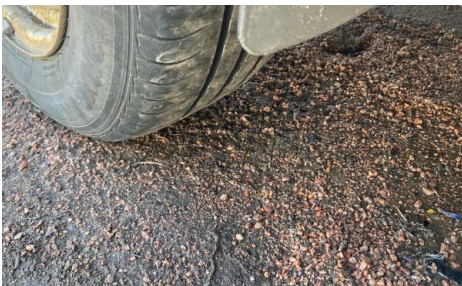
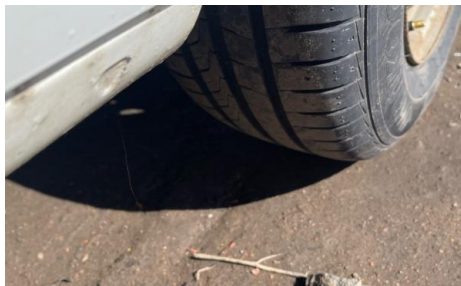
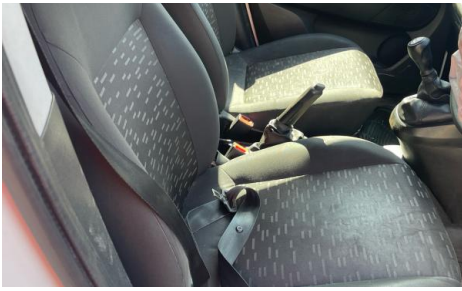
Tyres	
NSF	
NSR	
OSF	
OSR	
Spare	

Features

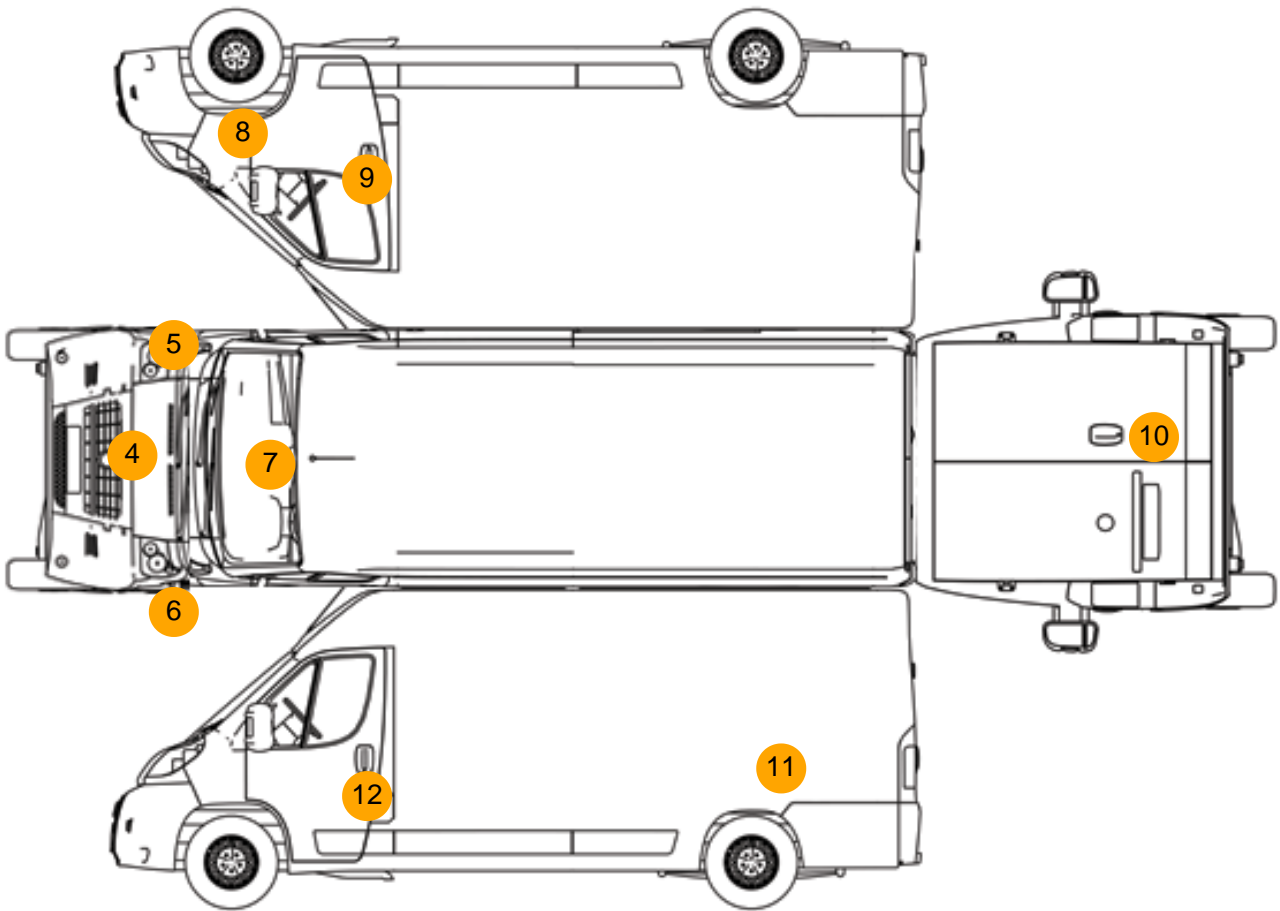
- Rear parking sensor
- Front electric windows
- Cloth seat trim

Photos





Condition Check



Damage Photos



1: Steering Wheel
Damaged
Replace

2: Centre Console Front
Broken
Replace



3: Carpets Front
Torn
Over 10mm

4: Bonnet
Dented
Over 30% Of Panel



5: Headlamp ns
Broken
Replace

6: Headlamp os
Broken
Replace



7: Screen Front
Cracked
Replace

8: Wing osf
Dented
Over 30mm



9: Door osf
Dented
Over 30mm

10: Tailgate
Dented
With Paint Damage



11: Qtr Panel nsr
Dented
With Paint Damage

12: Door nsf
Dented
With Paint Damage

Interior

Carpet Condition	Average	Upholstery Condition	Poor
Seat Condition	Average	Odour	No
Engine Runs	Fault	Gearbox 1st and Reverse Test	Fault
Brakes	Fault	Clutch Slip Test from Static	Fault
Turbo Boosting	Fault	Gearbox Static Gear Selection (engine running)	Fault
Parking Brake	Fault	No Excessive Smoking	Fault
EML light illuminated	Fault	Oil warning light illuminated	Fault
Airbag light illuminated	Fault	DPF light illuminated	Fault
ABS light illuminated	Fault	Service indicator light illuminated	Fault

Windows

OK

Radio

OK

Steering

Fault