



COMMERCIAL VEHICLE AUCTIONS LTD
THE UK'S MOST ESTABLISHED COMMERCIAL VEHICLE AUCTIONEERS

Carr Hill Industrial Estate
Doncaster
DN4 8DE

01302 732600 | cva.noreply@cva-auctions.co.uk

VEHICLE INSPECTION REPORT

BK13NZZ

Volvo B7R WRIGHTBUS ECLIPSE 2

Non Runner

Inspection		Vehicle	
Serious Damage?	No	VAT	Plus VAT
		V5	Present

Details					
Reg. date	04/04/2013	Colour	WHITE	Gearbox	AUTOMATIC
Year	2013	VIN	YV3R6R626DA160324	Axle Combi	4x2
Mileage	Not Showing	Body Style	Bus	Rear Suspension	Air
Fuel Type	Diesel	MOT Due	23/06/2026		
GVW	18000kg	Cab Type	DAY CAB		

5% BUYERS FEE *NON-RUNNER - NO ELECTRICAL FUNCTION, POSSIBLE IMPUT ERROR ON MOT*
WRIGHTBUS BODY, 42 SEATS, WHEEL CHAIR RAMP, MOT SHOWS 685,384 KM 24/06/2025

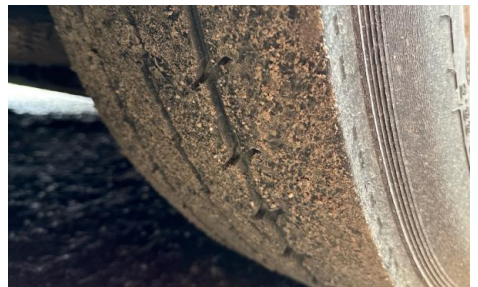
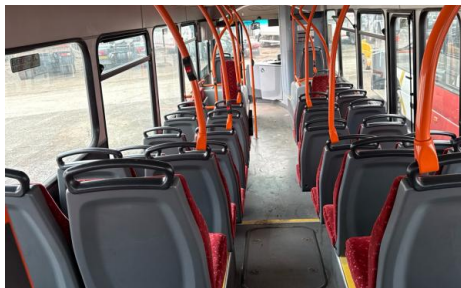
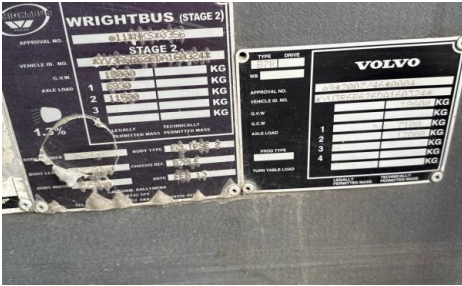
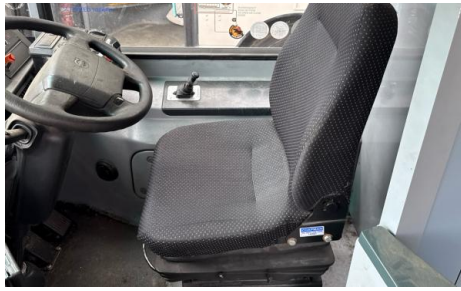
Tyres				
NSF	NSI1	NSI2	NSI3	NSI4
OSF	OSI1	OSI2	OSI3	OSI4
Spare	NSO1	NSO2	NSO3	NSO4
	OSO1	OSO2	OSO3	OSO4

Features

- Park assist camera
- Cloth seat trim

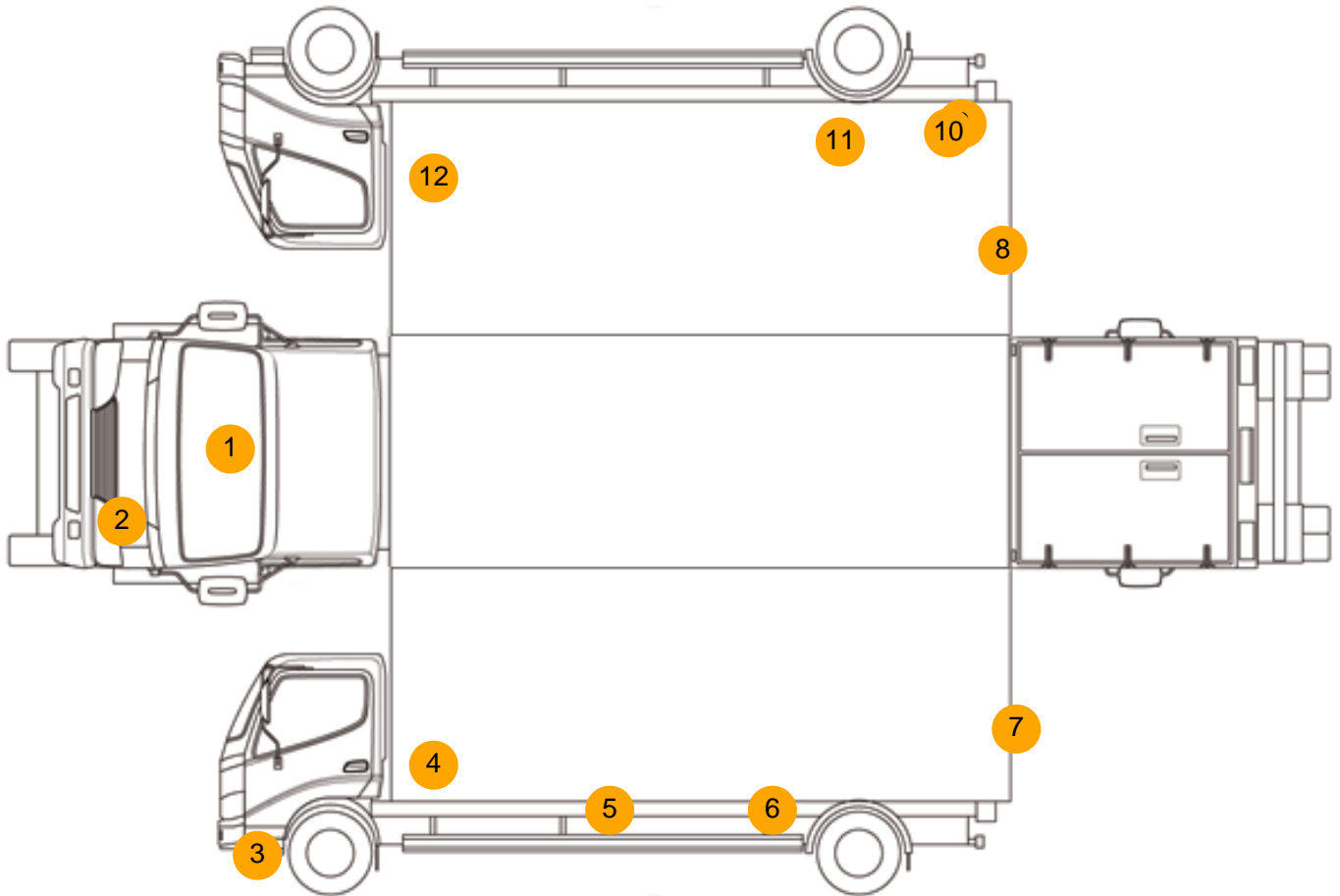
Photos







Condition Check



Damage Photos



1: Screen Front
Cracked
Replace

2: Bumper Front Moulding
Missing
Replace



3: Bumper Front Moulding
Scratched (Painted)
Over 25mm Thru Paint

4: Qtr Panel nsr
Scratched
Over 25mm Thru Paint



5: Qtr Panel nsr
Dented
Over 30mm

6: Qtr Panel nsr
Dented
Over 30mm



7: C Post ns
Cracked
Replace

8: Qtr Panel osr
Dented
Over 30mm



9: Qtr Panel osr
Dented
Over 30mm

10: Qtr Panel osr
Scratched
Over 25mm Thru Paint



11: Qtr Panel osr
Scratched
Over 25mm Thru Paint

12: Qtr Panel osr
Scratched
Over 25mm Thru Paint

Interior

Carpet Condition OK
Seat Condition OK

Upholstery Condition OK
Odour -

Engine Runs Fault