



COMMERCIAL VEHICLE AUCTIONS LTD
THE UK'S MOST ESTABLISHED COMMERCIAL VEHICLE AUCTIONEERS

Carr Hill Industrial Estate
Doncaster
DN4 8DE

01302 732600 | cva.noreply@cva-auctions.co.uk

VEHICLE INSPECTION REPORT

PE17HTT

Daf CF 440

Inspection

Serious Damage? No

Vehicle

VAT Plus VAT
V5 Present

Details

Reg. date	16/03/2017	VIN	XLRTGM4100G151242	Axle Combi	6x2
Year	2017	Body Style	Tractor Unit	Steering Combi	Mid-Lift Steer
Mileage	1,284,174 Miles Warranted	MOT Due	30/04/2026	Rear Suspension	Air
Fuel Type	Diesel	Cab Type	SLEEPER CAB		
Colour	RED	Gearbox	AUTOMATIC		

COLLECTED AS NON-RUNNER, CAB, SHOCK ABSORBERS REQUIRE ATTENTION, IN LIMP MODE

WARNING LIGHTS ON DASH

Tyres

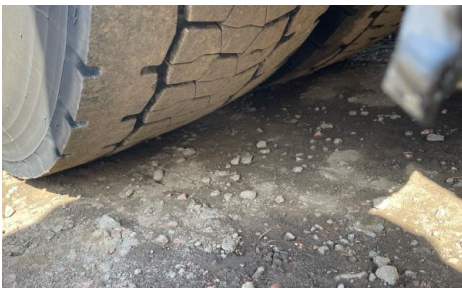
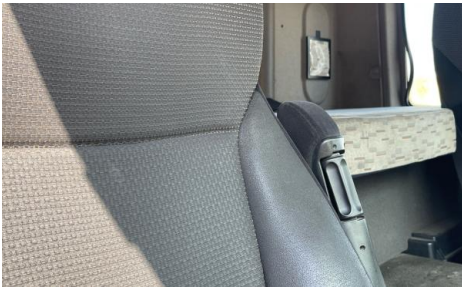
NSF	NSI1	NSI2	NSI3	NSI4
OSF	OSI1	OSI2	OSI3	OSI4
Spare	NSO1	NSO2	NSO3	NSO4
	OSO1	OSO2	OSO3	OSO4

Features

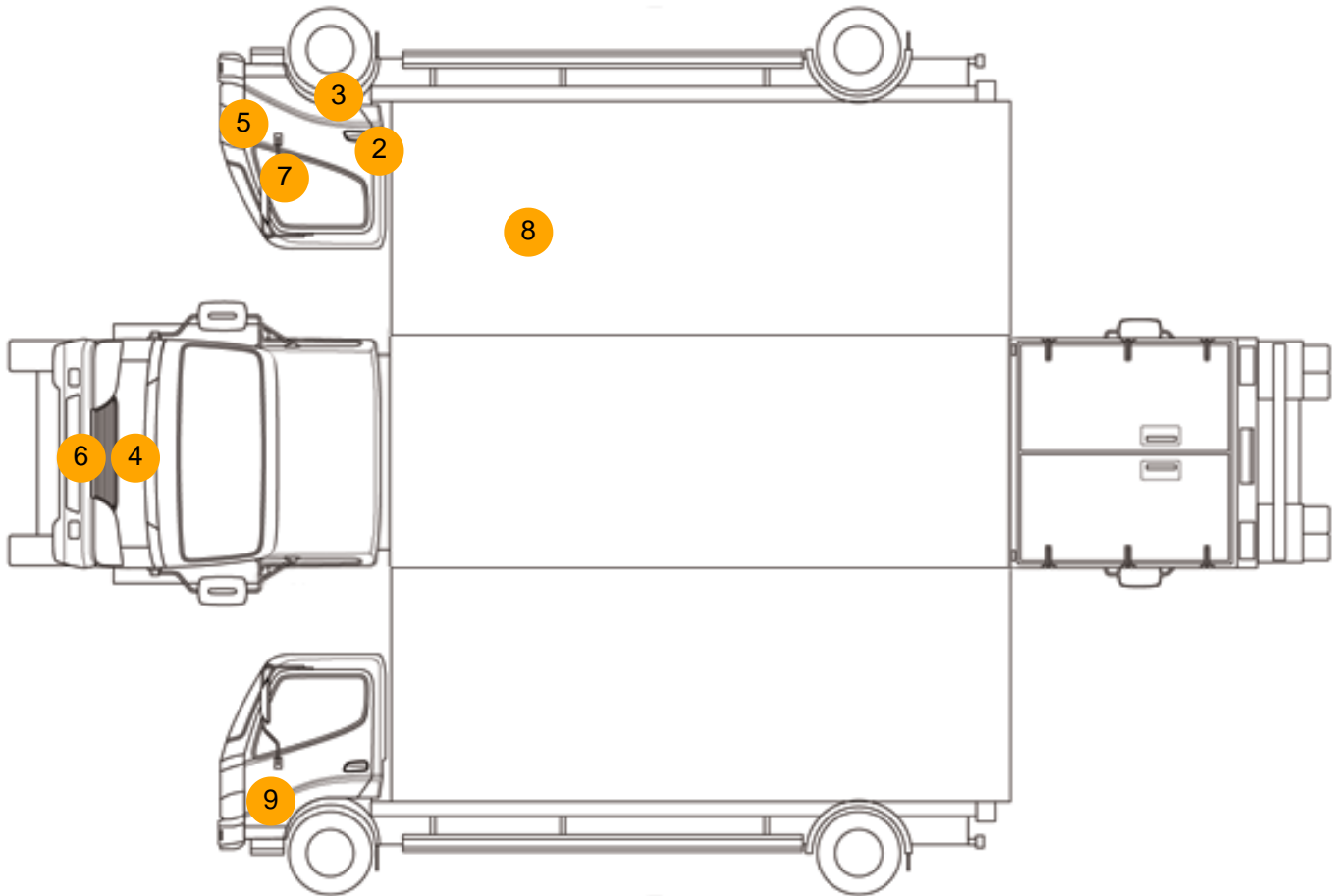
- Bluetooth connection
- Cruise control
- Air conditioning
- Cloth seat trim

Photos





Condition Check



Damage Photos



1: Seat Base Cover osf
Torn
Over 3mm

2: Sill os
Hole
Over 10mm



3: Door Moulding osf
Scuffed (Unpainted)
Over 100mm

4: Bonnet
Chipped
Multiple Chips



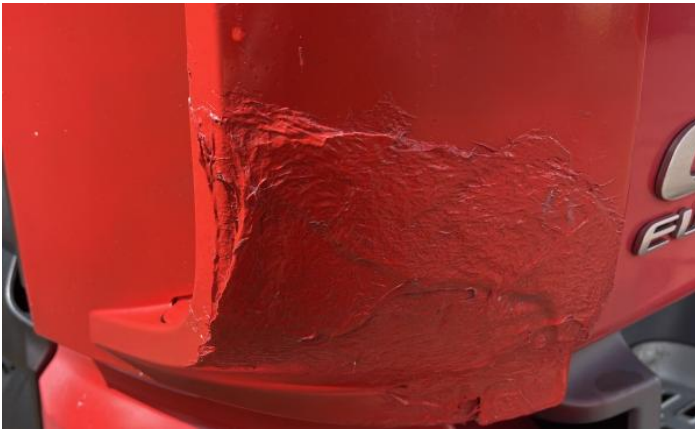
5: Wing osf
Chipped
Multiple Chips

6: Bumper Front
Rusted
Over 5mm



7: Door osf
Dented
Over 30mm

8: Qtr Panel osr
Rusted
Over 5mm



9: Wing nsf
 Poor Previous Repair
 Rippled UpTo 30%

10: Other
 N/A
 N/A

Interior

Carpet Condition	Average	Upholstery Condition	Average
Seat Condition	Average	Odour	-
Engine Runs	OK	Gearbox 1st and Reverse Test	OK
Brakes	OK	Clutch Slip Test from Static	OK
Turbo Boosting	OK	Gearbox Static Gear Selection (engine running)	OK
Parking Brake	OK	No Excessive Smoking	OK
EML light illuminated	OK	Oil warning light illuminated	OK
Airbag light illuminated	OK	DPF light illuminated	OK
ABS light illuminated	Fault	Service indicator light illuminated	OK
Roof / sunroof	OK	Radio	OK
Windows	OK	Steering	OK