



**COMMERCIAL VEHICLE AUCTIONS LTD**  
THE UK'S MOST ESTABLISHED COMMERCIAL VEHICLE AUCTIONEERS

Carr Hill Industrial Estate  
Doncaster  
DN4 8DE

01302 732600 | [cva.noreply@cva-auctions.co.uk](mailto:cva.noreply@cva-auctions.co.uk)

# VEHICLE INSPECTION REPORT

**PJ66BFP**

## DAF LF 150

### Inspection

Serious Damage? No

### Vehicle

VAT Plus VAT  
V5 Present

### Details

|           |                      |            |                   |                 |         |
|-----------|----------------------|------------|-------------------|-----------------|---------|
| Reg. date | 07/11/2016           | Colour     | RED               | Cab Type        | DAY CAB |
| Year      | 2016                 | VIN        | XLRAEL1500L459384 | Gearbox         | MANUAL  |
| Mileage   | 741,179 Km Warranted | Body Style | Box Van           | Axle Combi      | 4x2     |
| Fuel Type | Diesel               | MOT Due    | 31/07/2026        | Rear Suspension | Steel   |

\*COLLECTED AS NON-RUNNER, AXLES, SEAT & CROSS MEMBER REPAIRS REQUIRE ATTENTION\*

### Tyres

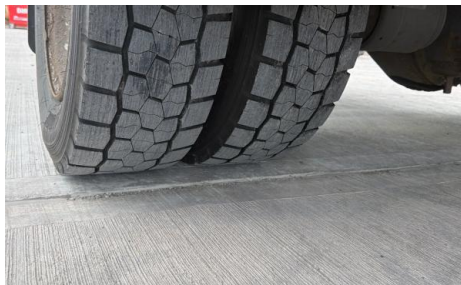
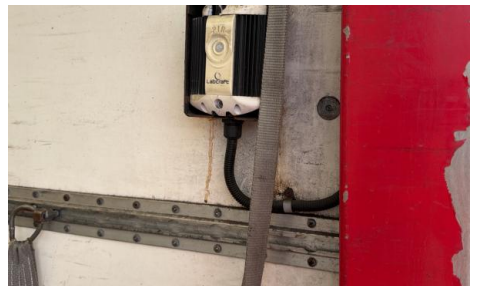
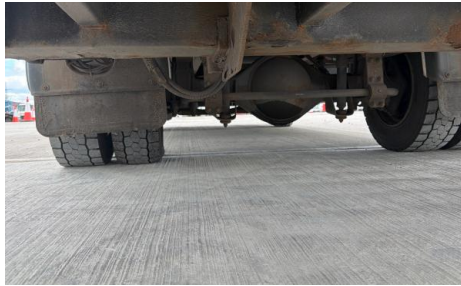
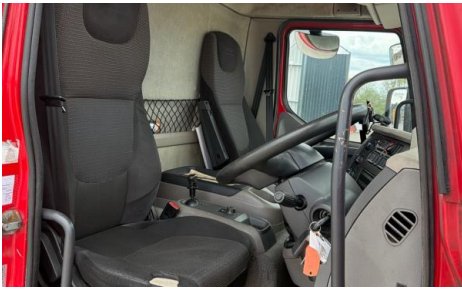
|       |      |      |      |      |
|-------|------|------|------|------|
| NSF   | NSI1 | NSI2 | NSI3 | NSI4 |
| OSF   | OSI1 | OSI2 | OSI3 | OSI4 |
| Spare | NSO1 | NSO2 | NSO3 | NSO4 |
|       | OSO1 | OSO2 | OSO3 | OSO4 |

## Features

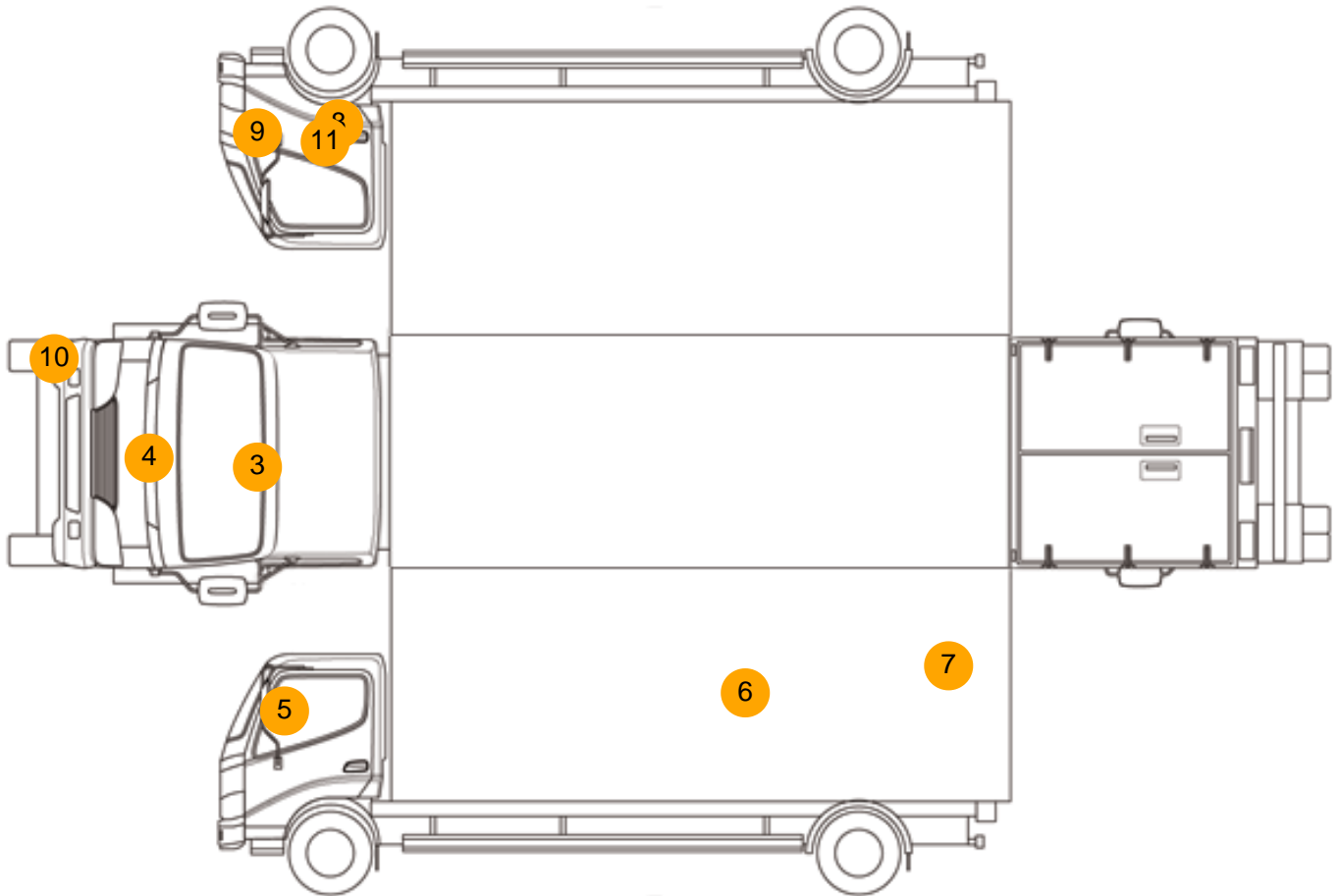
- Cruise control
- Cloth seat trim
- Radio/CD
- Front electric windows
- Central locking

## Photos





## Condition Check



## Damage Photos



1: Carpets Front  
Broken  
Replace



2: Seat Base Cover of  
Holed  
Over 3mm



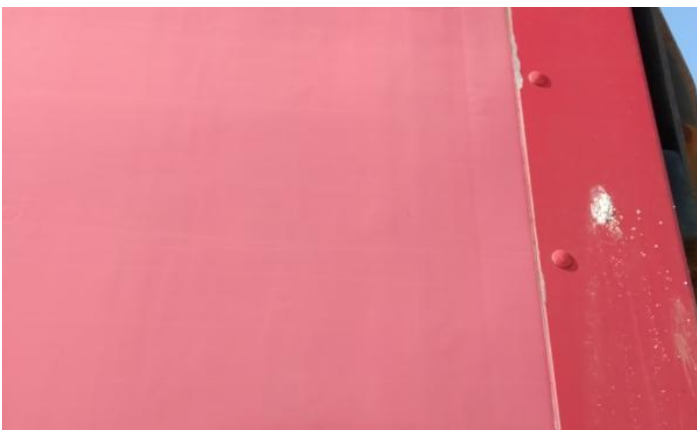
3: Screen Front  
Chipped  
Over 10mm

4: Bonnet  
Chipped  
Multiple Chips



5: Door Mirror Assy nsf  
Scratched (Painted)  
Over 25mm Thru Paint

6: Qtr Panel nsr  
Cracked  
Replace



7: Qtr Panel osr  
Cracked  
Replace

8: Door osf  
Chipped  
Multiple Chips



9: Moulding of Wing  
 Scratched (Painted)  
 Over 25mm Thru Paint

10: Bumper Front  
 Scratched  
 Over 100mm Thru Paint



11: Door of  
 Dented  
 Over 30mm

**Interior**

| Carpet Condition         | Average | Upholstery Condition                           | OK |
|--------------------------|---------|--|----|
| Seat Condition           | Poor    | Odour  | -  |
| Engine Runs              | OK      | Gearbox 1st and Reverse Test                   | OK |
| Brakes                   | OK      | Gearbox Static Gear Selection (engine running) | OK |
| Parking Brake            | OK      | No Excessive Smoking                           | OK |
| EML light illuminated    | OK      | Oil warning light illuminated                  | OK |
| Airbag light illuminated | OK      | DPF light illuminated                          | OK |
| ABS light illuminated    | OK      | Service indicator light illuminated            | OK |