



COMMERCIAL VEHICLE AUCTIONS LTD
THE UK'S MOST ESTABLISHED COMMERCIAL VEHICLE AUCTIONEERS

Carr Hill Industrial Estate
Doncaster
DN4 8DE

01302 732600 | cva.noreply@cva-auctions.co.uk

VEHICLE INSPECTION REPORT

PO13EJG

Daf LF 55.220

| Inspection | | Vehicle | |
|-----------------|----|---------|----------|
| Serious Damage? | No | VAT | Plus VAT |
| | | V5 | Present |

| Details | | | | | |
|-----------|----------------------|------------|-------------------|-----------------|---------|
| Reg. date | 01/07/2013 | Colour | RED | Cab Type | DAY CAB |
| Year | 2013 | VIN | XLRAE55GF0L423792 | Gearbox | MANUAL |
| Mileage | 907,412 Km Warranted | Body Style | Box Van | Axle Combi | 4x2 |
| Fuel Type | Diesel | MOT Due | 28/02/2027 | Rear Suspension | Steel |

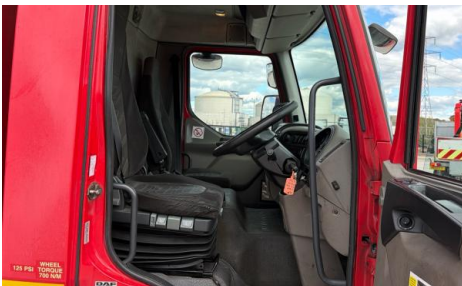
COLLECTED AS NON-RUNNER, TAIL LIFT REMOVED HAS BEEN PLACED IN BACK OF TRUCK

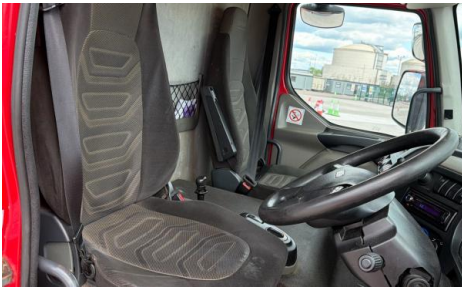
| Tyres | | | | |
|-------|------|------|------|------|
| NSF | NSI1 | NSI2 | NSI3 | NSI4 |
| OSF | OSI1 | OSI2 | OSI3 | OSI4 |
| Spare | NSO1 | NSO2 | NSO3 | NSO4 |
| | OSO1 | OSO2 | OSO3 | OSO4 |

Features

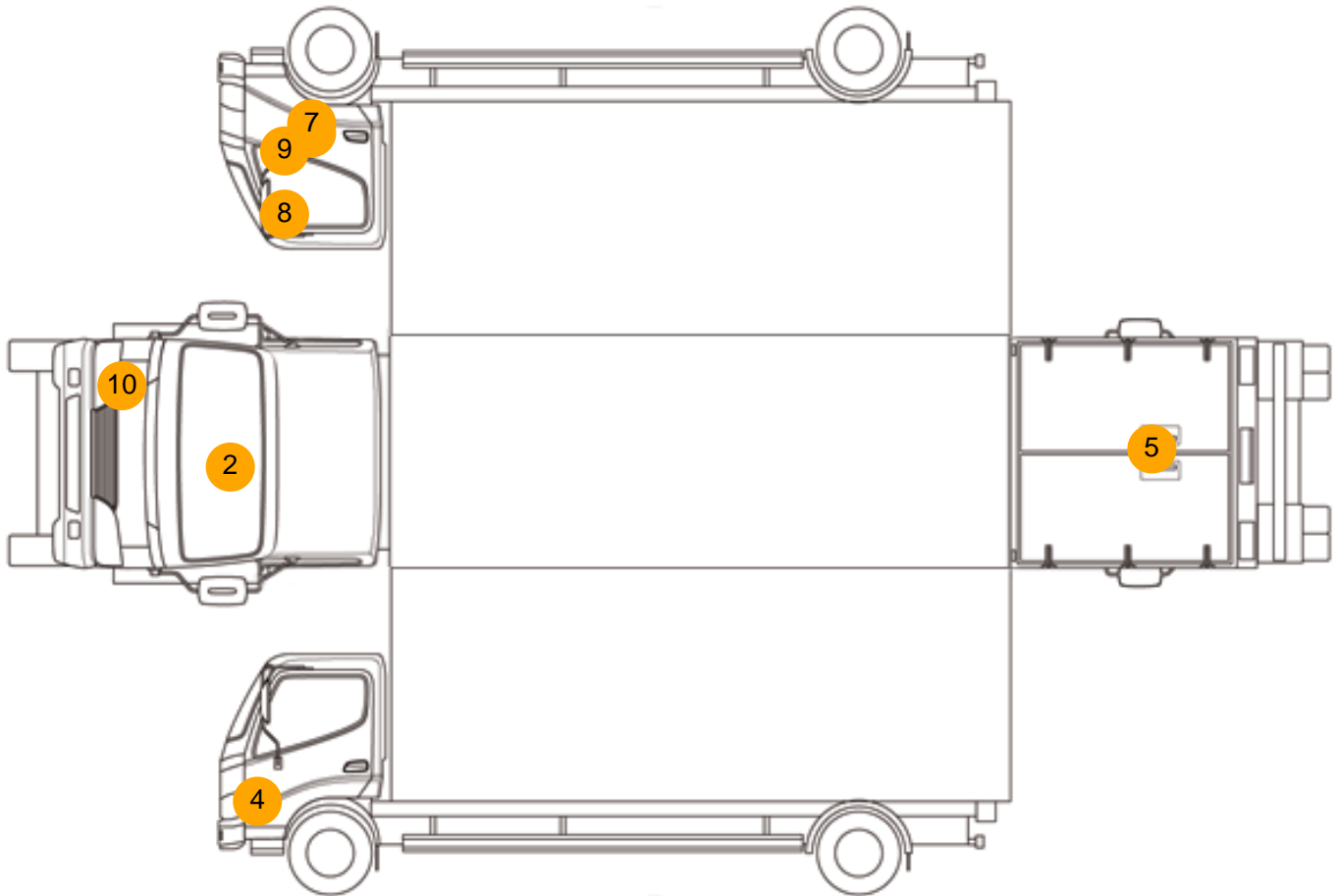
- Cruise control
- Central locking
- Radio/CD
- Cloth seat trim
- Air conditioning
- Front electric windows

Photos





Condition Check



Damage Photos



1: Centre Console Front
Missing
Replace

2: Screen Front
Chipped
Over 10mm



3: Bonnet
Chipped
Multiple Chips

4: Moulding nsf Wing
Scratched (Painted)
Over 25mm Thru Paint



5: Unclassified
Major Parts Missing
Report Only

6: Door osf
Dented
With Paint Damage



7: Door osf
Scratched
Over 25mm Thru Paint

8: Door Mirror Assy osf
Scratched (Painted)
Over 25mm Thru Paint



9: Moulding of Wing
 Scratched (Painted)
 Over 25mm Thru Paint

10: Bumper Front
 Scratched
 Over 25mm Not Thru Paint



11: Centre Console Front
 Missing
 Replace

Interior

| | | | |
|-------------------------|----|-----------------------------|----|
| Carpet Condition | OK | Upholstery Condition | OK |
| Seat Condition | OK | Odour | - |
| Engine Runs | OK | No Excessive Smoking | OK |
| EML light illuminated | OK | DPF light illuminated | OK |
| ABS light illuminated | OK | | |