



COMMERCIAL VEHICLE AUCTIONS LTD
THE UK'S MOST ESTABLISHED COMMERCIAL VEHICLE AUCTIONEERS

Carr Hill Industrial Estate
Doncaster
DN4 8DE

01302 732600 | cva.noreply@cva-auctions.co.uk

VEHICLE INSPECTION REPORT

YS25VNF

Ford Transit Custom 300 2.0 ECOBLUE 136PS LIMITED

Inspection		Vehicle	
Serious Damage?	No	VAT	Plus VAT
		V5	Present

Details					
Reg. date	31/05/2025	Colour	WHITE	CAP Average	£23,650.00
Year	2025	VIN	WF0RXXTA1RRL52445	CAP Below	£21,400.00
Mileage	6,917 Miles Not Warranted	Body Style	Panel Van L1	Gearbox	MANUAL
Fuel Type	Diesel	MOT Due	30/05/2028	Gears	6
GVW	3025kg	CAP Clean	£24,650.00		

AD-BLUE, E/ MIRRORS, HEATED WINDSCREEN

Tyres
NSF
NSR
OSF
OSR
Spare

Features

- Bluetooth connection
- Park assist camera
- Air conditioning
- Central locking
- Cruise control
- Rear parking sensor
- Front electric windows
- Cloth seat trim
- Front parking sensor
- Auxiliary input socket
- Drivers airbag
- Heated front seat
- Digital radio
- Passenger airbag

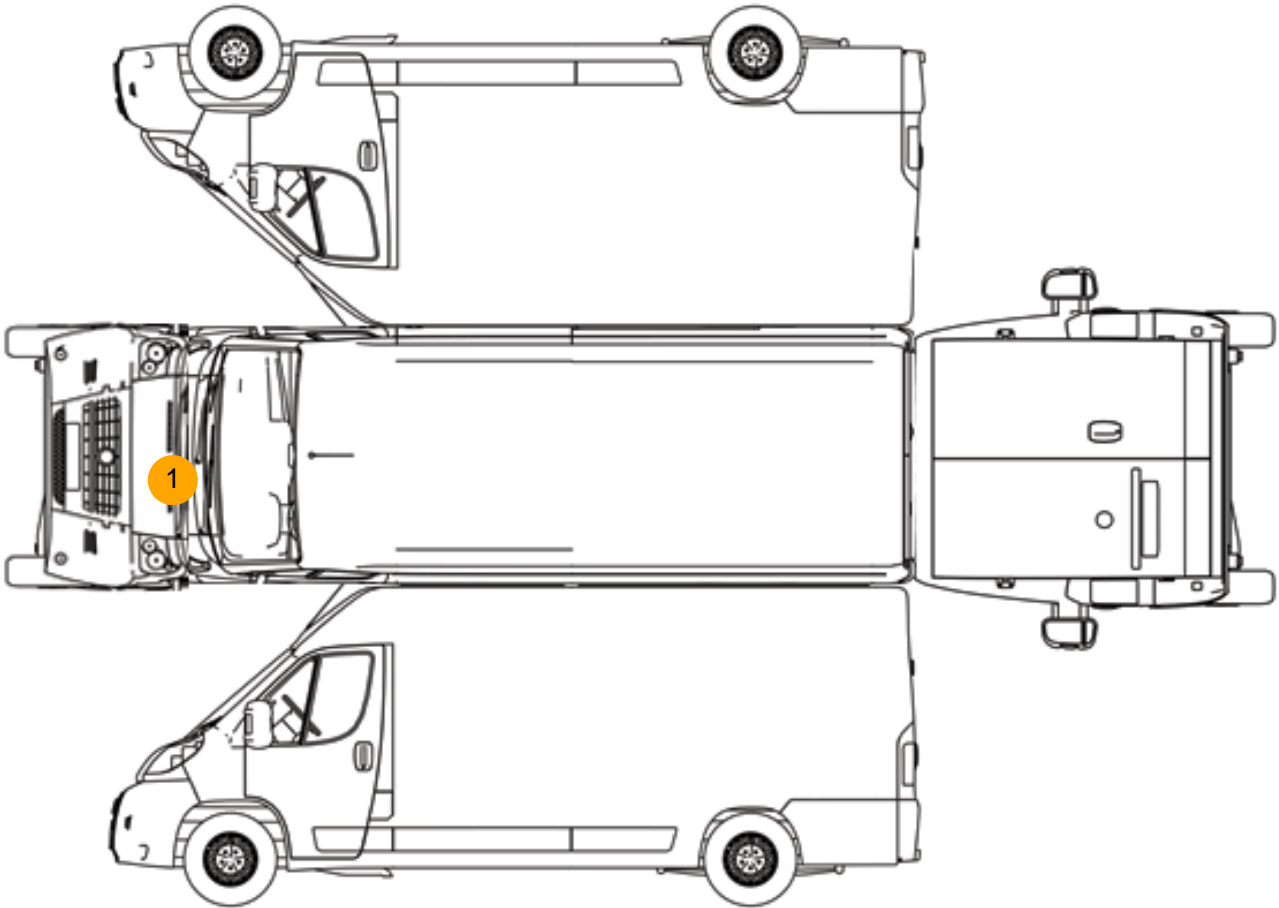
Photos







Condition Check



Damage Photos



1: Bonnet
Chipped
Multiple Chips

Interior

Carpet Condition -
Seat Condition -

Upholstery Condition -
Odour -

Engine Runs

OK

No Excessive Smoking

OK

EML light illuminated

OK

DPF light illuminated

OK

ABS light illuminated

OK