



COMMERCIAL VEHICLE AUCTIONS LTD
THE UK'S MOST ESTABLISHED COMMERCIAL VEHICLE AUCTIONEERS

Carr Hill Industrial Estate
Doncaster
DN4 8DE

01302 732600 | cva.noreply@cva-auctions.co.uk

VEHICLE INSPECTION REPORT

BF23Y00

Iveco Eurocargo 120-210

Inspection		Vehicle	
Serious Damage?	No	VAT	Plus VAT
		V5	Present

Details					
Reg. date	30/08/2023	GVW	12000kg	Cab Type	DAY CAB
Year	2023	Colour	WHITE	Gearbox	MANUAL
Mileage	49,053 Km Warranted	VIN	ZCFAH1EF502728958	Axle Combi	4x2
Fuel Type	Diesel	Body Style	Pole Erection Unit	Rear Suspension	Steel

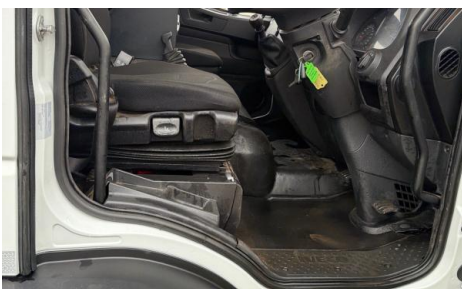
PALFINGER PK 9.501 REMOTE CRANE (YEAR 2022), AUTOGUIDE 40PXV AUGER (YEAR 2023), POLE JACK, HEATED DRYING LOCKER, 240V POWER, AUGER EXTENSION POLE, SURROUND CAMERA SYSTEM, WEIGH SYSTEM.

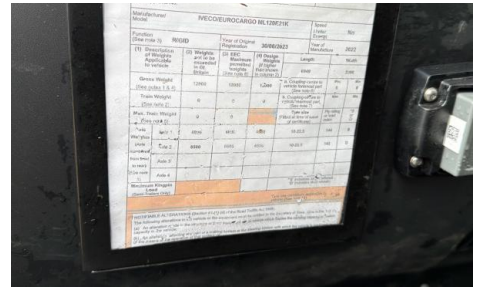
Tyres				
NSF	NSI1	NSI2	NSI3	NSI4
OSF	OSI1	OSI2	OSI3	OSI4
Spare	NSO1	NSO2	NSO3	NSO4
	OSO1	OSO2	OSO3	OSO4

Features

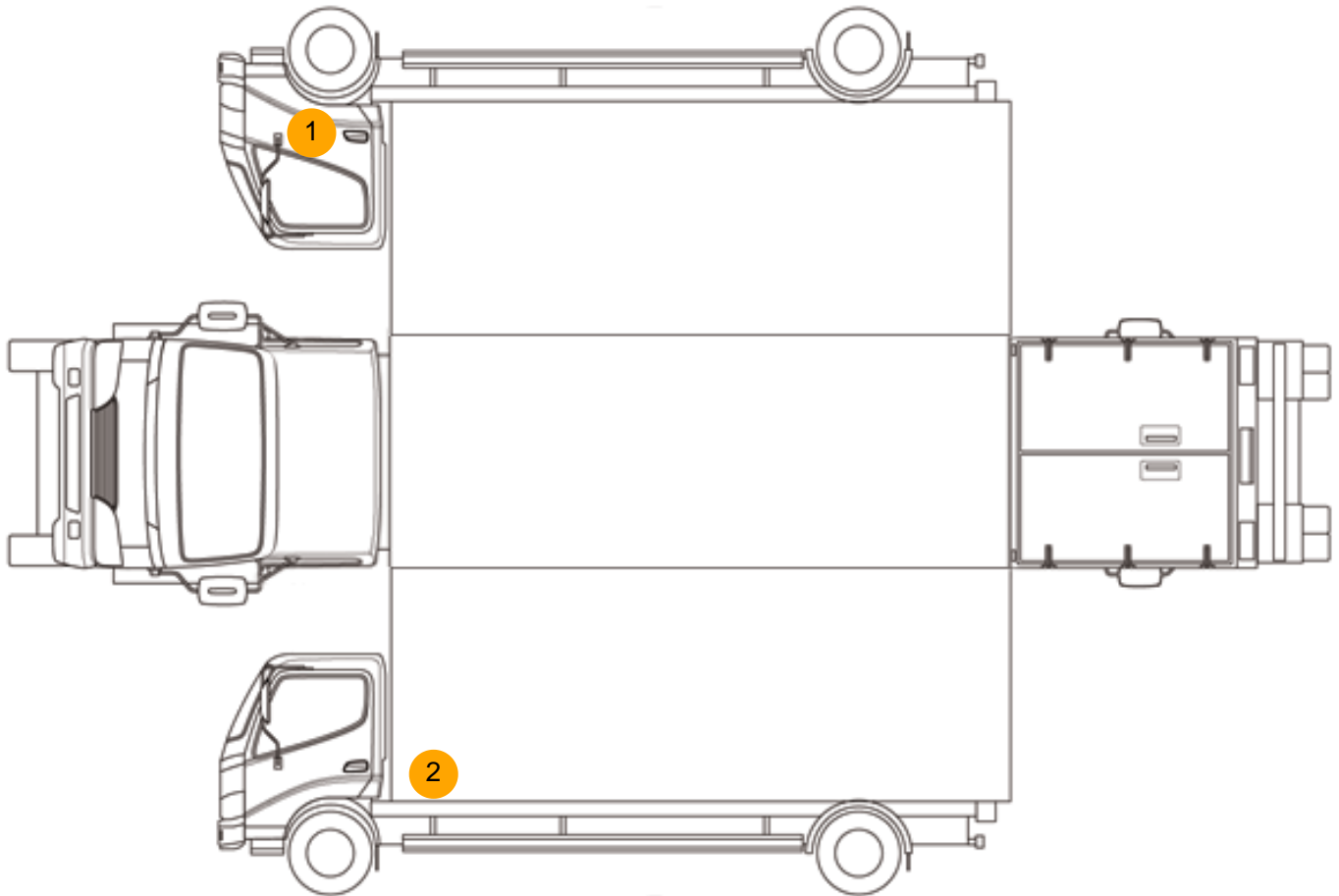
- Radio/CD
- Air conditioning

Photos





Condition Check



Damage Photos



1: Door osf
Scratched
Over 25mm Thru Paint

2: B Post ns
Scratched
Over 25mm Not Thru Paint

Interior

Carpet Condition OK
Seat Condition OK

Upholstery Condition OK
Odour -

Brakes	OK	Gearbox 1st and Reverse Test	OK
Turbo Boosting	OK	Clutch Slip Test from Static	OK
Parking Brake	OK	Gearbox Static Gear Selection (engine running)	OK
EML light illuminated	OK	Oil warning light illuminated	OK
Airbag light illuminated	OK	DPF light illuminated	OK
ABS light illuminated	OK	Service indicator light illuminated	OK
Roof / sunroof	OK	Radio	OK
Windows	OK	Steering	OK