



COMMERCIAL VEHICLE AUCTIONS LTD
THE UK'S MOST ESTABLISHED COMMERCIAL VEHICLE AUCTIONEERS

Carr Hill Industrial Estate
Doncaster
DN4 8DE

01302 732600 | cva.noreply@cva-auctions.co.uk

VEHICLE INSPECTION REPORT

BT730UV

Iveco Eurocargo 120-210

Inspection		Vehicle	
Serious Damage?	No	VAT	Plus VAT
		V5	Present

Details					
Reg. date	31/10/2023	Colour	WHITE	Gearbox	AUTOMATIC
Year	2023	VIN	ZCFAH1EF402728627	Axle Combi	4x2
Mileage	28,855 Km Warranted	Body Style	Pole Erection Unit	Rear Suspension	Steel
Fuel Type	Diesel	MOT Due	31/10/2026		
GVW	12000kg	Cab Type	DAY CAB		

AUTOGUIDE EQUIPMENT AUGER, PALFINGER PK 9.501 SLD REMOTE CRANE (YEAR 2022), WEIGH SYSTEM, REAR VIEW CAMERA.

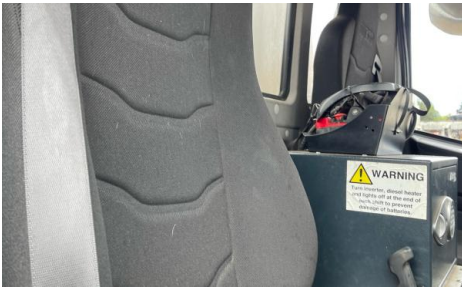
Tyres				
NSF	NSI1	NSI2	NSI3	NSI4
OSF	OSI1	OSI2	OSI3	OSI4
Spare	NSO1	NSO2	NSO3	NSO4
	OSO1	OSO2	OSO3	OSO4

Features

- Radio/CD
- Air conditioning

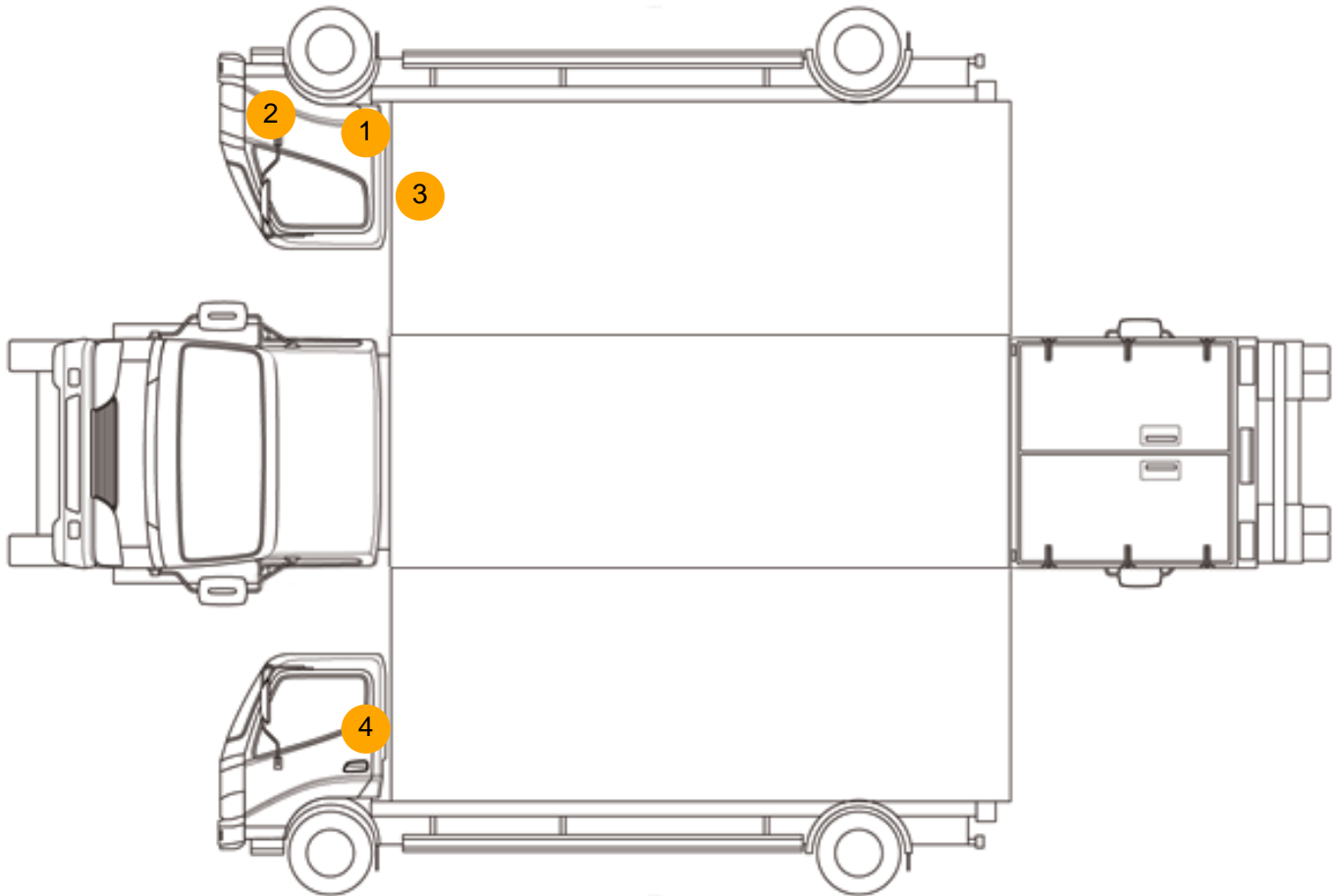
Photos







Condition Check



Damage Photos



1: Door Moulding of
Scuffed (Unpainted)
Over 100mm



2: Wing of
Chipped
Over 5mm



3: Door osf
Dented
Over 30mm

4: Door nsf
Dented
Over 30mm

Interior

Carpet Condition	Average	Upholstery Condition	Average
Seat Condition	Average	Odour	-
Engine Runs	OK	Gearbox 1st and Reverse Test	OK
Brakes	OK	Clutch Slip Test from Static	OK
Turbo Boosting	OK	Gearbox Static Gear Selection (engine running)	OK
Parking Brake	OK	No Excessive Smoking	OK
EML light illuminated	OK	Oil warning light illuminated	OK
Airbag light illuminated	OK	DPF light illuminated	OK
ABS light illuminated	OK	Service indicator light illuminated	OK
Windows	OK	Steering	OK