



COMMERCIAL VEHICLE AUCTIONS LTD
THE UK'S MOST ESTABLISHED COMMERCIAL VEHICLE AUCTIONEERS

Carr Hill Industrial Estate
Doncaster
DN4 8DE

01302 732600 | cva.noreply@cva-auctions.co.uk

VEHICLE INSPECTION REPORT

PN14WYC

Daf LF 150

Inspection		Vehicle	
Serious Damage?	No	VAT	Plus VAT
		V5	Present

Details

Reg. date	03/04/2014	VIN	XLRAEL1500L435388	Cab Type	DAY CAB
Year	2014	Body Style	Box Van	Gearbox	MANUAL
Mileage	920,445 Km Warranted	Service history	Yes	Axle Combi	4x2
Fuel Type	Diesel	Service documents	Printout	Rear Suspension	Steel
Colour	RED	MOT Due	28/02/2027	Tail Lift	Cantilever

COLLECTED AS NON-RUNNER, CORRODED ARCHES, TAIL LIFT & PINS REQUIRE ATTENTION

Tyres

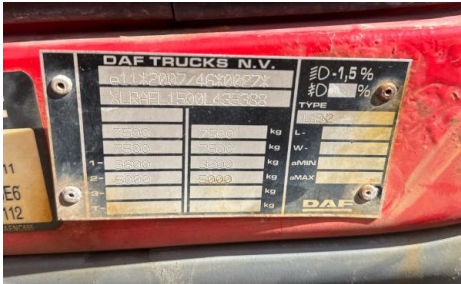
NSF	NSI1	NSI2	NSI3	NSI4
OSF	OSI1	OSI2	OSI3	OSI4
Spare	NSO1	NSO2	NSO3	NSO4
	OSO1	OSO2	OSO3	OSO4

Features

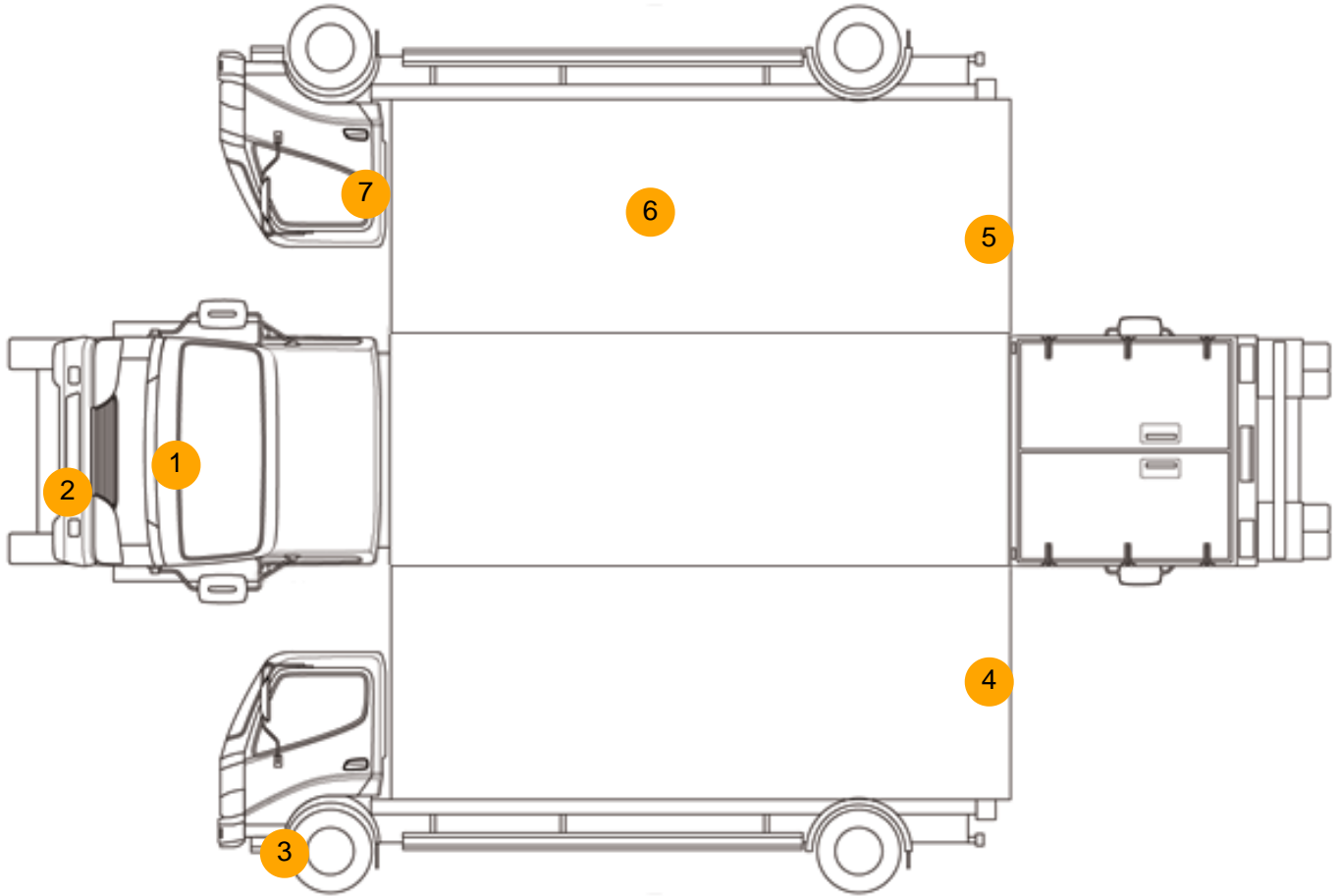
- Cruise control
- Radio/CD
- Front electric windows
- Central locking
- Cloth seat trim

Photos





Condition Check



Damage Photos



1: Bonnet
Chipped
Multiple Chips

2: Bumper Front
Chipped
Multiple Chips



3: Bumper Front Moulding
Scuffed (Unpainted)
Over 100mm

4: Qtr Panel nsr
Scratched
Over 25mm Thru Paint



5: Qtr Panel osr
Scratched
Over 25mm Thru Paint

6: Qtr Panel osr
Scratched
Over 25mm Thru Paint



7: Door osf
Dented
With Paint Damage

8: Door Pad osf
Soiled
Heavy

Interior

Carpet Condition	OK	Upholstery Condition	Poor
Seat Condition	OK	Odour	-
Engine Runs	OK	No Excessive Smoking	OK
EML light illuminated	OK	DPF light illuminated	OK
ABS light illuminated	OK		