



**COMMERCIAL VEHICLE AUCTIONS LTD**  
THE UK'S MOST ESTABLISHED COMMERCIAL VEHICLE AUCTIONEERS

Carr Hill Industrial Estate  
Doncaster  
DN4 8DE

01302 732600 | cva.noreply@cva-auctions.co.uk

# VEHICLE INSPECTION REPORT

**YO190WV**

## Ford Transit Connect 240 1.5 ECOBLUE 100PS

Inspection		Vehicle	
Serious Damage?	No	VAT	Plus VAT
		V5	To Follow

Details					
Reg. date	16/05/2019	Colour	WHITE	CAP Average	£2,900.00
Year	2019	VIN	WF0SXXWPGSKE73401	CAP Below	£2,250.00
Mileage	143,115 Miles Warranted	Body Style	Panel Van L2	Gearbox	MANUAL
Fuel Type	Diesel	MOT Due	Expired	Gears	6
GVW	2405kg	CAP Clean	£3,325.00		

\*ENGINE NOISE\* AD-BLUE

Tyres
NSF
NSR
OSF
OSR
Spare

## Features

- Bluetooth connection
- Front electric windows
- Cloth seat trim
- Auxiliary input socket
- Drivers airbag
- Digital radio
- Passenger airbag
- Air conditioning
- Central locking

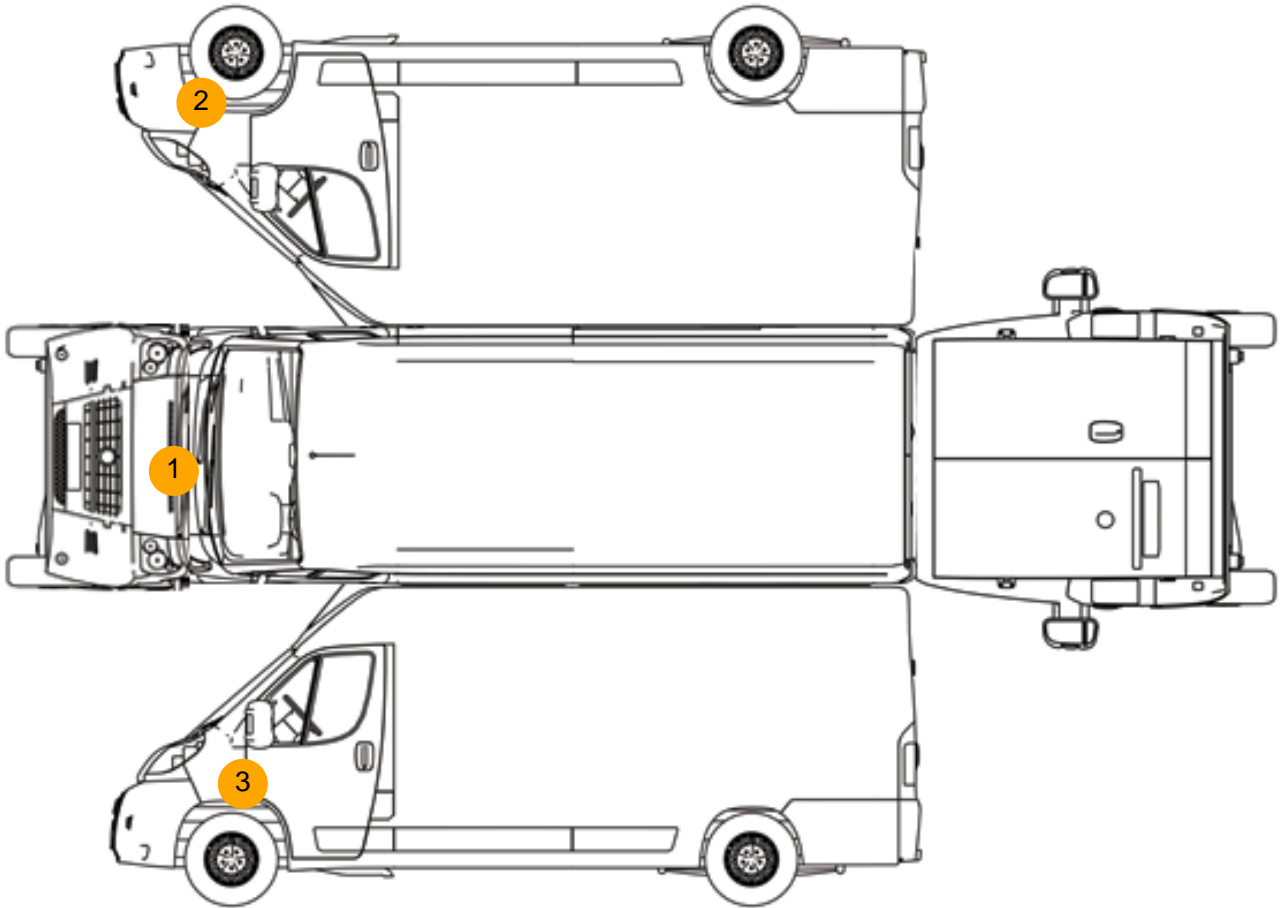
## Photos







## Condition Check



## Damage Photos



1: Bonnet  
Chipped  
Multiple Chips



2: Bumper Front  
Scratched  
Over 100mm Thru Paint



3: Wing nsf  
Chipped  
Multiple Chips

4: Carpets Front  
Holed  
Over 3mm



5: Fascia Panel  
Broken  
Replace

**Interior**

Carpet Condition	Poor	Upholstery Condition	Poor
Seat Condition	OK	Odour	No
Engine Runs	OK	No Excessive Smoking	OK
EML light illuminated	OK	DPF light illuminated	OK
ABS light illuminated	OK		