



COMMERCIAL VEHICLE AUCTIONS LTD
THE UK'S MOST ESTABLISHED COMMERCIAL VEHICLE AUCTIONEERS

Carr Hill Industrial Estate
Doncaster
DN4 8DE

01302 732600 | cva.noreply@cva-auctions.co.uk

VEHICLE INSPECTION REPORT

AY17WFZ

Daf LF 230

Inspection

Serious Damage? No

Vehicle

VAT Plus VAT

V5 Buyer To Apply

Details

Reg. date 04/04/2017

Year 2017

Mileage 430,061 Km Not Warranted

Fuel Type Diesel

Colour GREY

VIN XLRAEL3700L462097

Body Style Curtainside

MOT Due 31/10/2026

Cab Type DAY CAB

Gearbox AUTOMATIC

Axle Combi 4x2

Rear Suspension Steel

Rear Doors Barn

WARNING LIGHTS ON DASH *ENGINE CONTINUES TO RUN DESPITE KEY BEING REMOVED FROM IGNITION* REMOTE ROLLER DOOR

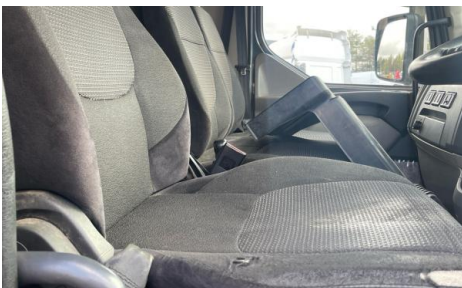
Tyres

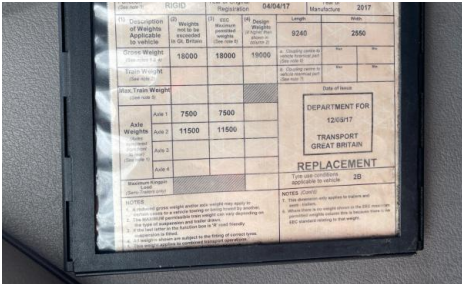
NSF	NSI1	NSI2	NSI3	NSI4
OSF	OSI1	OSI2	OSI3	OSI4
Spare	NSO1	NSO2	NSO3	NSO4
	OSO1	OSO2	OSO3	OSO4

Features

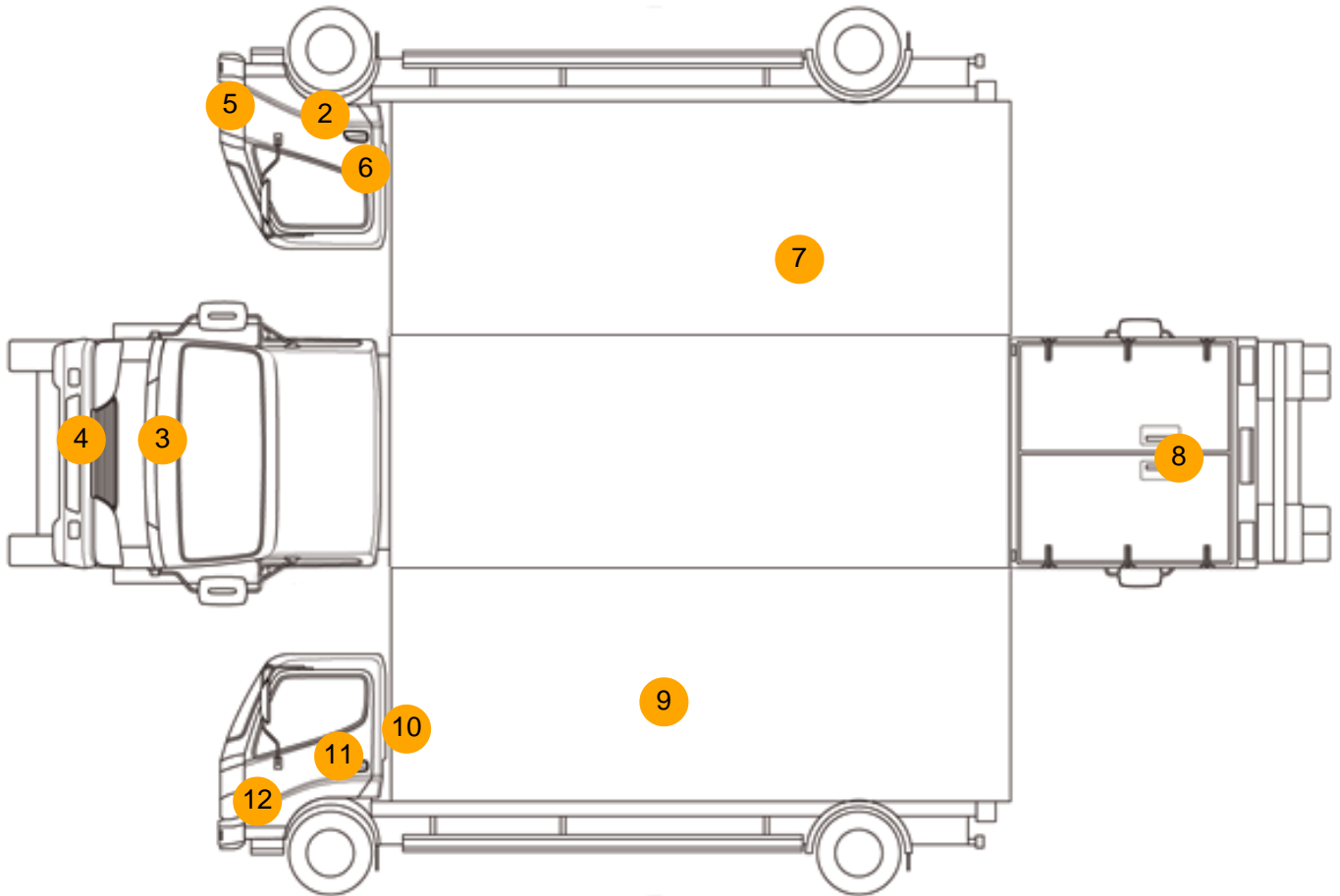
- Bluetooth connection
- Cruise control
- Cloth seat trim

Photos





Condition Check



Damage Photos



1: Seat Base Cover of
Torn
Over 3mm



2: Door Moulding of
Scuffed (Unpainted)
Over 100mm



3: Bonnet
Chipped
1 To 5

4: Bumper Front
Rusted
Over 5mm



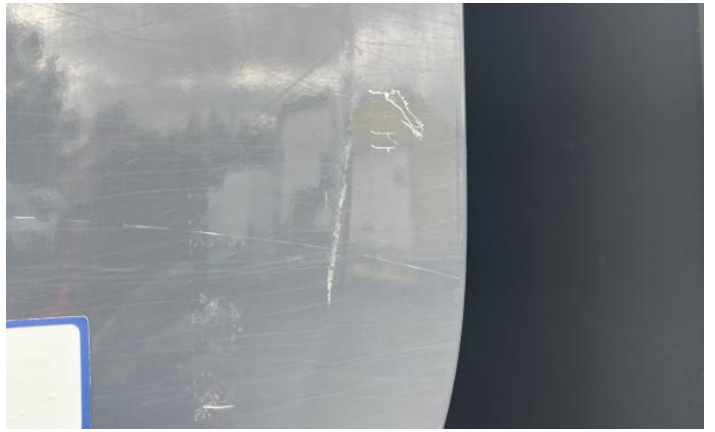
5: Wing osf
Scratched
Over 25mm Thru Paint

6: Door osf
Dented
With Paint Damage



7: Qtr Panel osr
Hole
Over 10mm

8: Tailgate
Rusted
Over 5mm



9: Qtr Panel nsr
Hole
Over 10mm

10: B Post ns
Scratched
Over 25mm Thru Paint



11: Door nsf
Dented
Over 30mm

12: Wing nsf
Scratched
Over 25mm Thru Paint

Interior

Carpet Condition	Average	Upholstery Condition	Average
Seat Condition	Average	Odour	-
Engine Runs	OK	Gearbox 1st and Reverse Test	OK
Brakes	OK	Clutch Slip Test from Static	OK
Turbo Boosting	OK	Gearbox Static Gear Selection (engine running)	OK
Parking Brake	OK	No Excessive Smoking	OK
EML light illuminated	Fault	Oil warning light illuminated	OK
Airbag light illuminated	OK	DPF light illuminated	OK
ABS light illuminated	OK	Service indicator light illuminated	OK

Windows

OK

Radio

OK

Steering

OK