



COMMERCIAL VEHICLE AUCTIONS LTD
THE UK'S MOST ESTABLISHED COMMERCIAL VEHICLE AUCTIONEERS

Carr Hill Industrial Estate
Doncaster
DN4 8DE

01302 732600 | cva.noreply@cva-auctions.co.uk

VEHICLE INSPECTION REPORT

AV17NBD

Daf LF 230

Inspection		Vehicle	
Serious Damage?	No	VAT	Plus VAT
		V5	Buyer To Apply

Details

Reg. date	26/05/2017	VIN	XLRAEL3700L464107	Axle Combi	4x2
Year	2017	Body Style	Box Van	Rear Suspension	Steel
Mileage	411,019 Km Warranted	MOT Due	31/08/2026	Rear Doors	Roller
Fuel Type	Diesel	Cab Type	DAY CAB		
Colour	GREY	Gearbox	AUTOMATIC		

REMOTE REAR ROLLER DOOR INOPERABLE

Tyres

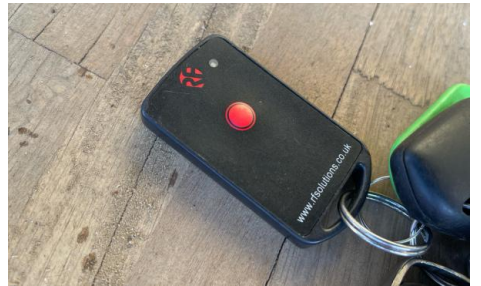
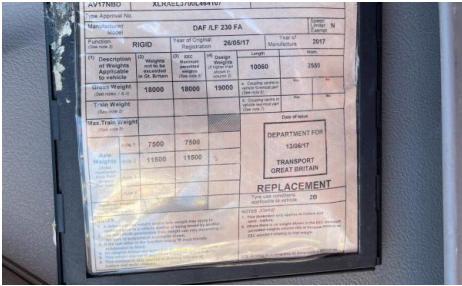
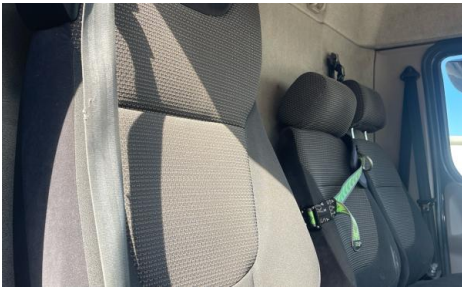
NSF	NSI1	NSI2	NSI3	NSI4
OSF	OSI1	OSI2	OSI3	OSI4
Spare	NSO1	NSO2	NSO3	NSO4
	OSO1	OSO2	OSO3	OSO4

Features

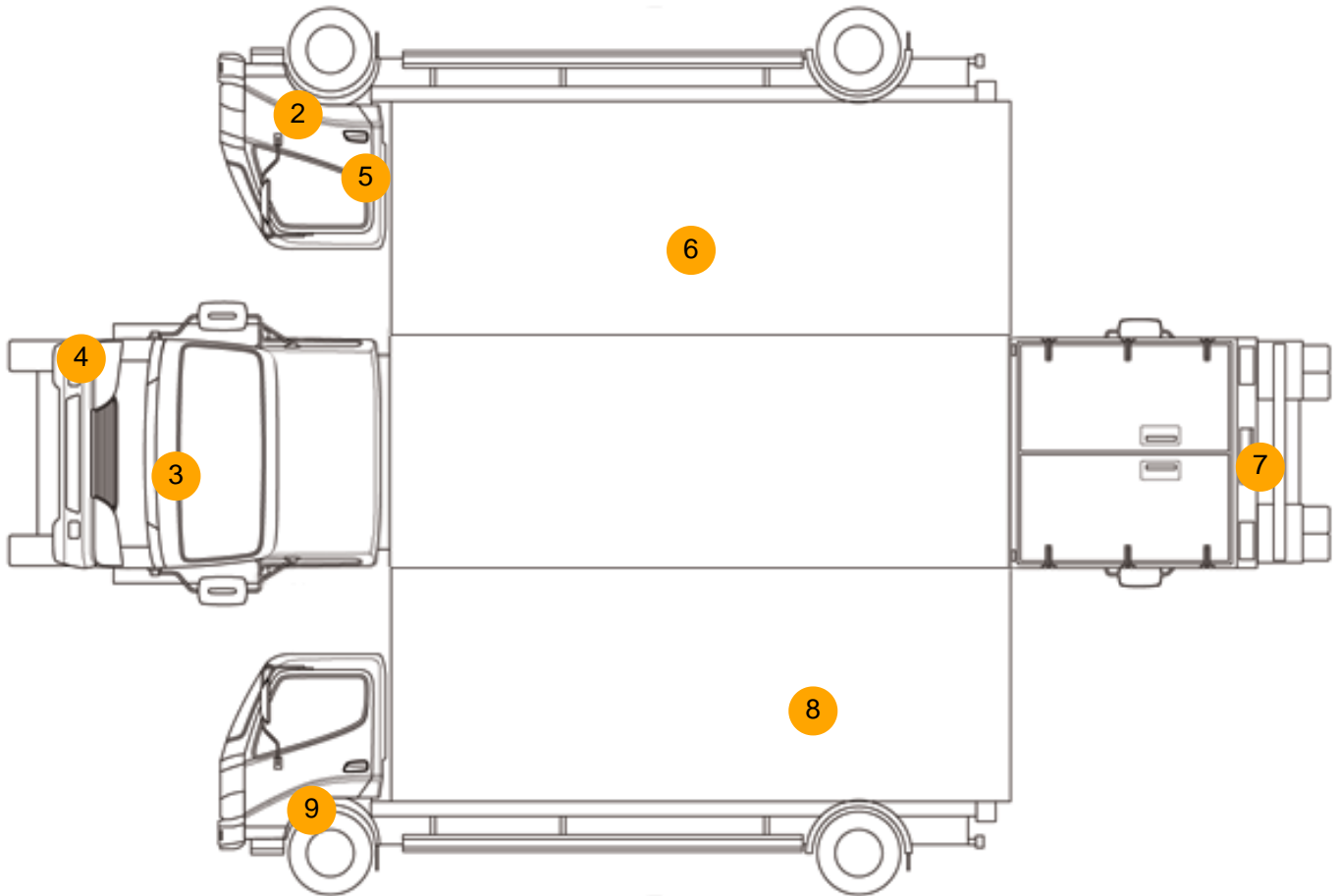
- Bluetooth connection
- Cruise control

Photos





Condition Check



Damage Photos



1: Seat Base Cover of
Torn
Up To 3mm



2: Door Moulding of
Scuffed (Unpainted)
Over 100mm



3: Bonnet
Chipped
Multiple Chips

4: Bumper Front
Rusted
Over 5mm



5: Door osf
Dented
With Paint Damage

6: Qtr Panel osr
Rusted
Over 5mm



7: Tailgate
Rusted
Over 5mm

8: Qtr Panel nsr
Dented
With Paint Damage



9: Bumper Front
Cracked
Over 25mm

Interior

Carpet Condition	Average	Upholstery Condition	Average
Seat Condition	Average	Odour	-
Engine Runs	OK	Gearbox 1st and Reverse Test	OK
Brakes	OK	Clutch Slip Test from Static	OK
Turbo Boosting	OK	Gearbox Static Gear Selection (engine running)	OK
Parking Brake	OK	No Excessive Smoking	OK
EML light illuminated	OK	Oil warning light illuminated	OK
Airbag light illuminated	OK	DPF light illuminated	OK
ABS light illuminated	OK	Service indicator light illuminated	OK
Windows	OK	Radio	OK
		Steering	OK