



COMMERCIAL VEHICLE AUCTIONS LTD
THE UK'S MOST ESTABLISHED COMMERCIAL VEHICLE AUCTIONEERS

Carr Hill Industrial Estate
Doncaster
DN4 8DE

01302 732600 | cva.noreply@cva-auctions.co.uk

VEHICLE INSPECTION REPORT

BK13NZU

Volvo B7R WRIGHTBUS ECLIPSE 2

Non Runner

Inspection		Vehicle	
Serious Damage?	No	VAT	Plus VAT
		V5	Present

Details					
Reg. date	04/04/2013	Colour	WHITE	Gearbox	AUTOMATIC
Year	2013	VIN	YV3R6R627CA154045	Axle Combi	4x2
Mileage	Not Showing	Body Style	Bus	Rear Suspension	Air
Fuel Type	Diesel	MOT Due	29/07/2026		
GVW	18000kg	Cab Type	DAY CAB		

5% BUYERS FEE *NON-RUNNER, ENGINE SIEZED, HALF SHAFT REMOVED, NO GEAR SELECTION* 44 SEATS, KNEEL SYSTEM, WHEEL CHAIR RAMP, MOT SHOWS 423,331 MILES 30/07/2025

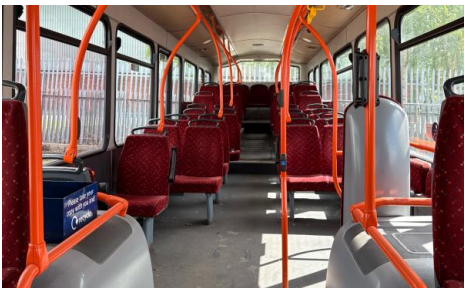
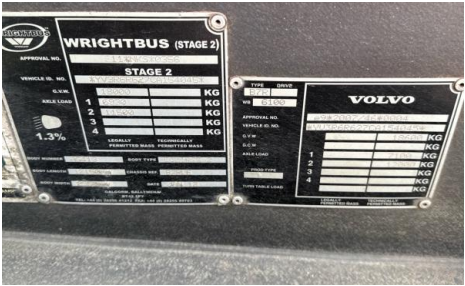
Tyres				
NSF	NSI1	NSI2	NSI3	NSI4
OSF	OSI1	OSI2	OSI3	OSI4
Spare	NSO1	NSO2	NSO3	NSO4
	OSO1	OSO2	OSO3	OSO4

Features

- Park assist camera
- Cloth seat trim

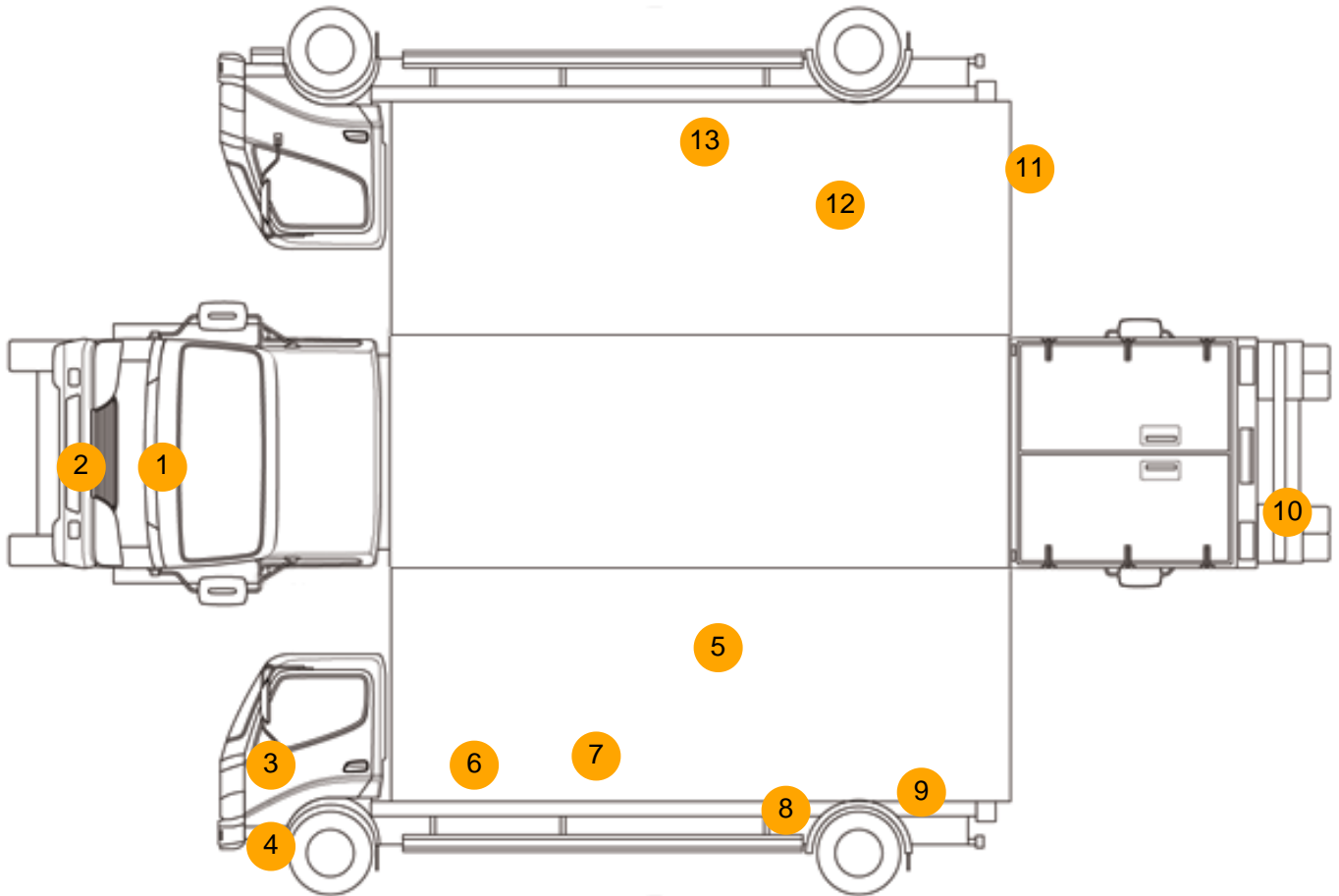
Photos







Condition Check



Damage Photos



1: Bonnet
Cracked
Replace

2: Bumper Front
Cracked
Over 25mm



3: A Post ns
Cracked
Replace

4: Bumper Front Moulding
Broken
Replace



5: Qtr Panel nsr
Scratched
Over 25mm Thru Paint

6: Qtr Panel nsr
Scratched
Over 25mm Thru Paint



7: Qtr Panel nsr
Scratched
Over 25mm Thru Paint

8: Qtr Panel nsr
Dented
With Paint Damage



9: Qtr Panel nsr
Dented
With Paint Damage

10: Bumper Rear
Cracked
Over 25mm



11: Panel Rear
Poor Previous Repair
Rippled Over 30%

12: Qtr Panel osr
Scratched
Over 25mm Thru Paint



13: Qtr Panel osr
Dented
With Paint Damage

Interior

Carpet Condition
Seat Condition

OK
OK

Upholstery Condition
Odour

OK
-

Engine Runs

Fault