



COMMERCIAL VEHICLE AUCTIONS LTD
THE UK'S MOST ESTABLISHED COMMERCIAL VEHICLE AUCTIONEERS

Carr Hill Industrial Estate
Doncaster
DN4 8DE

01302 732600 | cva.noreply@cva-auctions.co.uk

VEHICLE INSPECTION REPORT

FN69AUJ

Daf LF 180

Inspection		Vehicle	
Serious Damage?	No	VAT	Plus VAT
		V5	To Follow

Details

Reg. date	25/10/2019	Colour	WHITE	Axle Combi	4x2
Year	2019	VIN	XLRAEL1500L490690	Rear Suspension	Steel
Mileage	214,710 Km Warranted	Body Style	Box Van	Rear Doors	Roller
Fuel Type	Diesel	Cab Type	DAY CAB	Tail Lift	Column
GVW	7500kg	Gearbox	MANUAL		

TAIL LIFT INOP, WARNING LIGHTS ON DASH

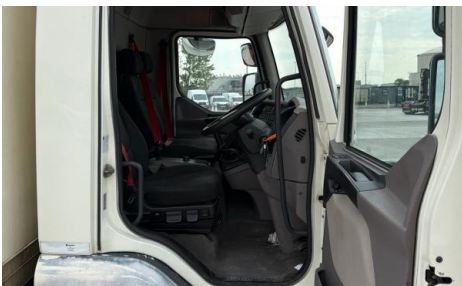
Tyres

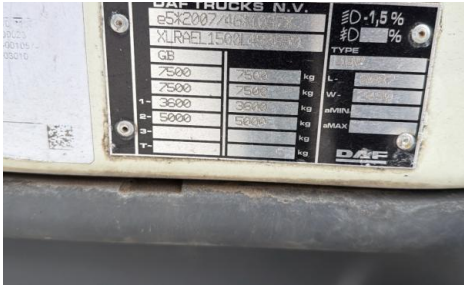
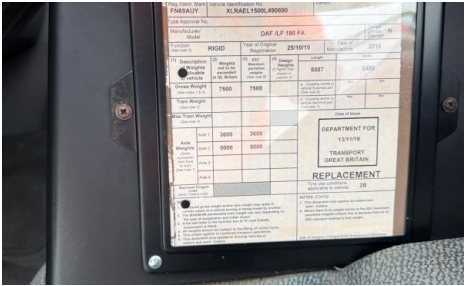
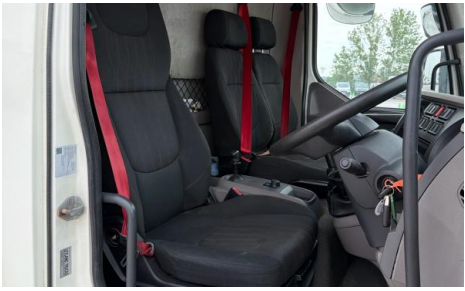
NSF	NSI1	NSI2	NSI3	NSI4
OSF	OSI1	OSI2	OSI3	OSI4
Spare	NSO1	NSO2	NSO3	NSO4
	OSO1	OSO2	OSO3	OSO4

Features

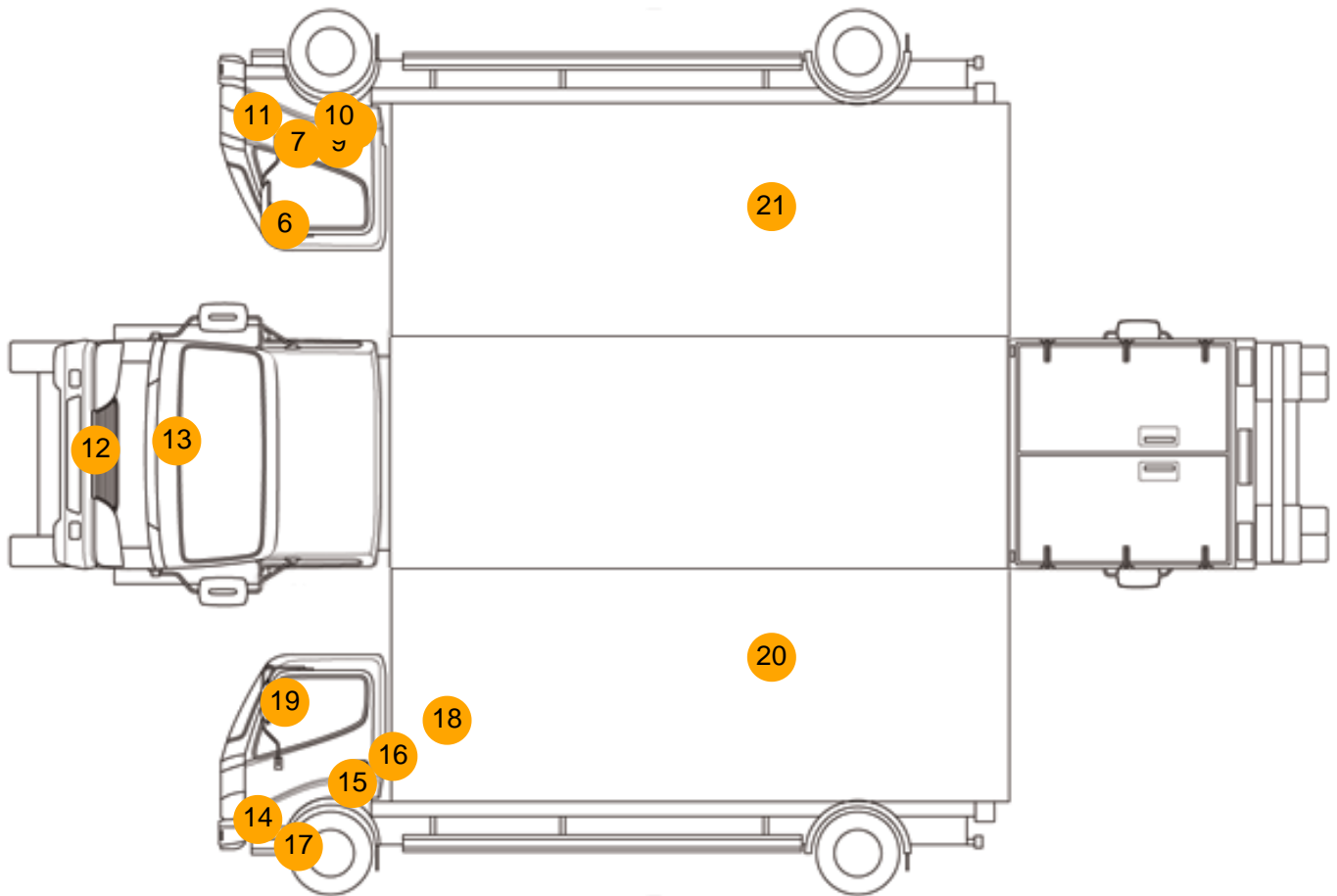
- Cruise control
- Radio/CD
- Air conditioning
- Front electric windows
- Central locking
- Cloth seat trim

Photos





Condition Check



Damage Photos



1: Seat Base Cover of
Missing
Replace

2: Carpets Front
Holed
Over 3mm



3: Seat Base Cover nsf
Soiled
Heavy

4: Fascia Trim
Damaged
Replace



5: Roof Lining
Torn
Over 3mm

6: Door Mirror Assy osf
Broken
Replace



7: Door osf
Dented
With Paint Damage

8: Door osf
Chipped
Multiple Chips



9: Door osf
Scratched
Over 25mm Thru Paint



10: Wing Front Arch Extension os
Scuffed (Unpainted)
Over 100mm



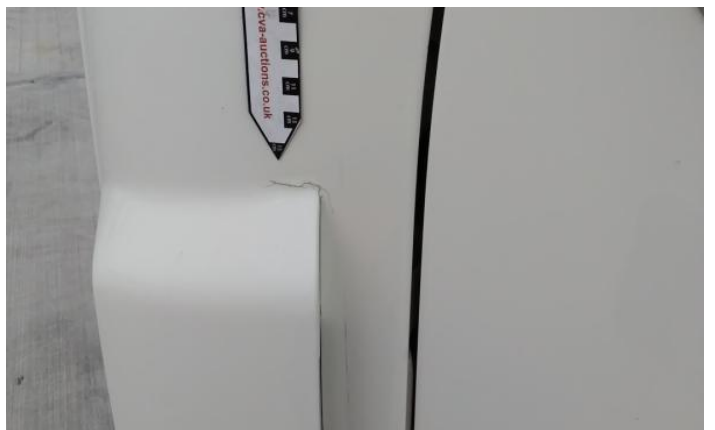
11: Moulding osf Wing
Scratched (Painted)
Over 25mm Thru Paint



12: Bumper Front
Rusted
Over 5mm



13: Bonnet
Chipped
Multiple Chips



14: Wing nsf
Cracked
Replace



15: Door nsf
 Scratched
 Over 25mm Thru Paint

16: Door nsf
 Chipped
 Multiple Chips



17: Wing Front Arch Extension ns
 Scratched (Painted)
 Over 25mm Thru Paint

18: Qtr Panel nsr
 Scratched
 Over 25mm Not Thru Paint



19: Door Mirror Glass ns
 Broken
 Replace

20: Qtr Panel nsr
 Scratched
 Over 25mm Thru Paint



21: Qtr Panel osr
 Scratched
 Over 25mm Thru Paint

22: Dash Warning Lights
 Displayed
 No Action

Interior

Carpet Condition	Average		Upholstery Condition	Average
Seat Condition	Average		Odour	-
Engine Runs		OK	Gearbox 1st and Reverse Test	OK
Brakes		OK	Gearbox Static Gear Selection (engine running)	OK
Parking Brake		OK	No Excessive Smoking	OK
EML light illuminated		Fault	DPF light illuminated	Fault
ABS light illuminated		Fault		