



**COMMERCIAL VEHICLE AUCTIONS LTD**  
THE UK'S MOST ESTABLISHED COMMERCIAL VEHICLE AUCTIONEERS

Carr Hill Industrial Estate  
Doncaster  
DN4 8DE

01302 732600 | cva.noreply@cva-auctions.co.uk

# VEHICLE INSPECTION REPORT

**YS19LWN**

## Ford Transit Connect 200 1.5 ECOBLUE 100PS

Inspection		Vehicle	
Serious Damage?	No	VAT	Plus VAT
		V5	To Follow

Details			
Reg. date	15/04/2019	Colour	WHITE
Year	2019	VIN	WF0RXXWPGRKD61360
Mileage	114,756 Miles TBC	Body Style	Panel Van L1
Fuel Type	Diesel	MOT Due	Expired
GVW	2170kg	CAP Clean	£4,450.00
		CAP Average	£3,825.00
		CAP Below	£3,000.00
		Gearbox	MANUAL
		Gears	6

\*COLLECTED AS NON-RUNNER, VARIOUS UNKNOWN ISSUES\* AD-BLUE, E/ MIRRORS, HEATED WINDSCREEN

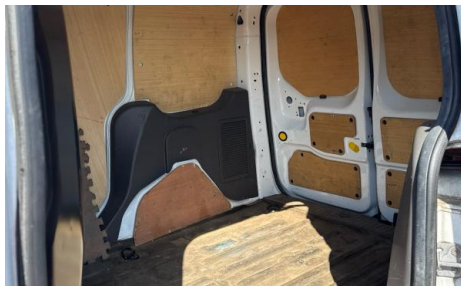
Tyres
NSF
NSR
OSF
OSR
Spare

## Features

- Bluetooth connection
- Digital radio
- Central locking
- Navigation system
- Front electric windows
- Cloth seat trim
- Rear parking sensor
- Drivers airbag
- Auxiliary input socket
- Passenger airbag

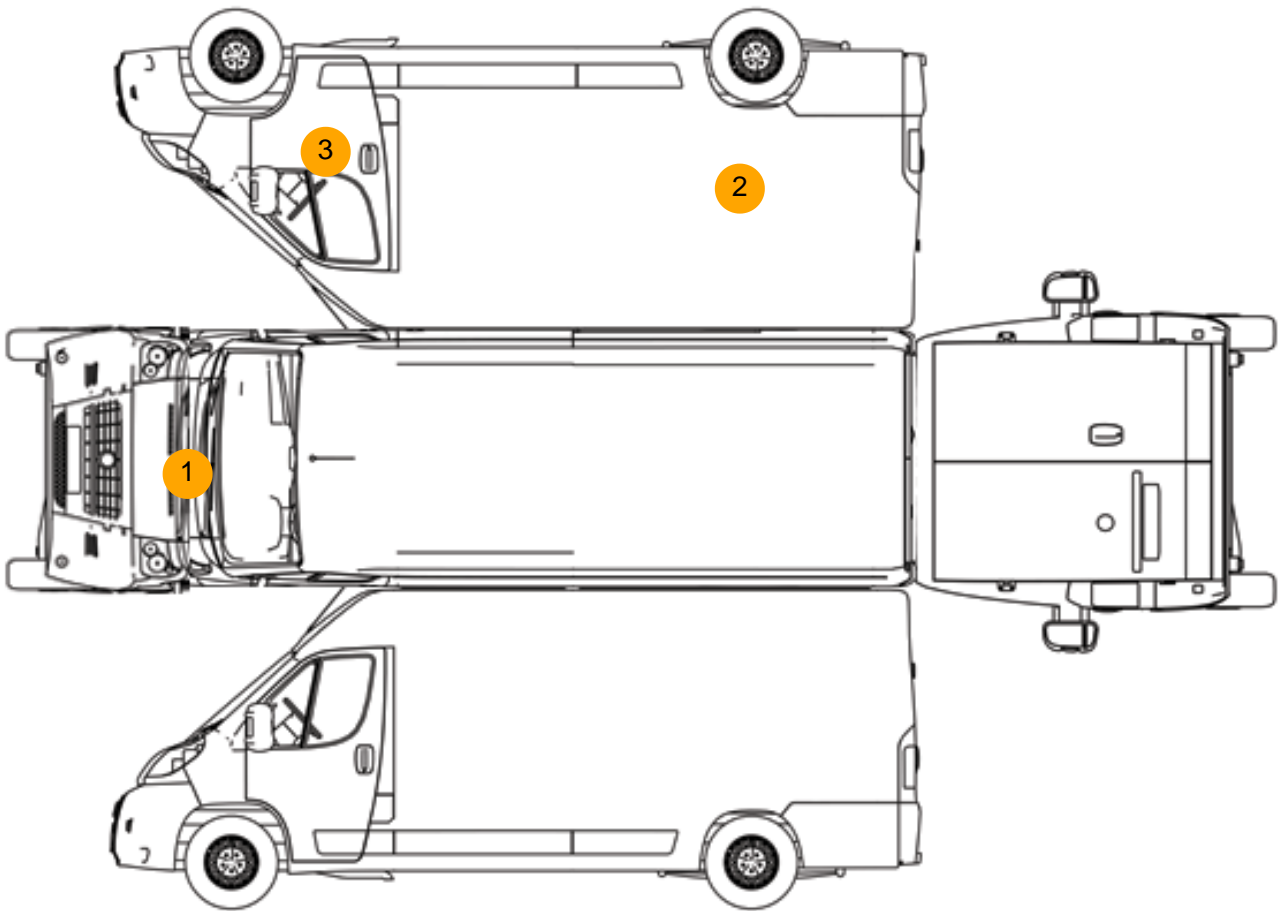
## Photos







## Condition Check



## Damage Photos



1: Bonnet  
Chipped  
Multiple Chips



2: Qtr Panel osr  
Scratched  
Over 25mm Thru Paint



3: Door osf  
 Chipped  
 Multiple Chips

4: Dash Warning Lights  
 Displayed  
 No Action

**Interior**

**Carpet Condition** OK  
**Seat Condition** OK

**Upholstery Condition** OK  
**Odour** No

Engine Runs	OK	No Excessive Smoking	OK
EML light illuminated	OK	DPF light illuminated	Fault
ABS light illuminated	OK		