



COMMERCIAL VEHICLE AUCTIONS LTD
THE UK'S MOST ESTABLISHED COMMERCIAL VEHICLE AUCTIONEERS

Carr Hill Industrial Estate
Doncaster
DN4 8DE

01302 732600 | cva.noreply@cva-auctions.co.uk

VEHICLE INSPECTION REPORT

S10FGT

Daf XF 480

Inspection		Vehicle	
Serious Damage?	No	VAT	Plus VAT
		V5	Present

Details

Reg. date	01/10/2023	VIN	XLRTGF5300G430995	Axle Combi	6x2
Year	2023	Body Style	Tractor Unit	Steering Combi	Mid-Lift
Mileage	317,271 Km Not Warranted	MOT Due	31/10/2026	Rear Suspension	Air
Fuel Type	Diesel	Cab Type	HIGH ROOF SLEEPER CAB		
Colour	WHITE	Gearbox	AUTOMATIC		

WARNING LIGHT ON DASH SLIDING 5TH WHEEL

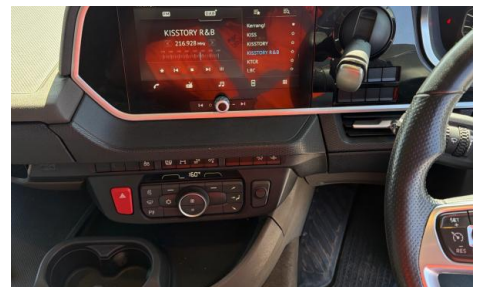
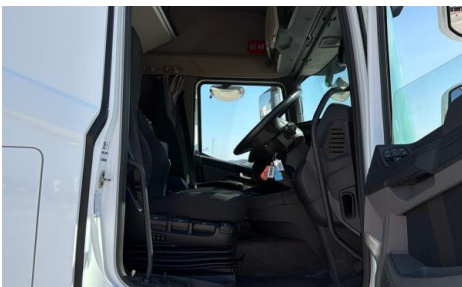
Tyres

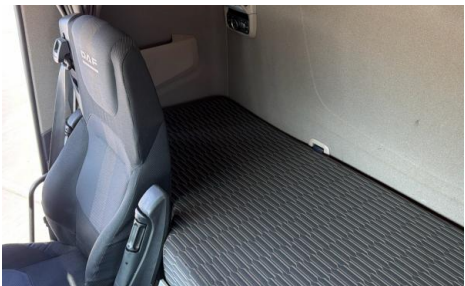
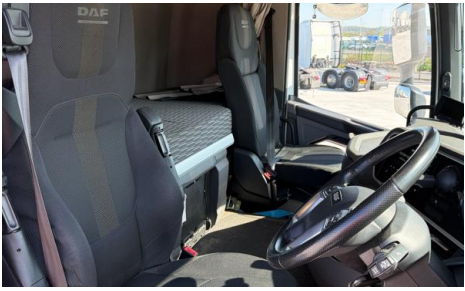
NSF	NSI1	NSI2	NSI3	NSI4
OSF	OSI1	OSI2	OSI3	OSI4
Spare	NSO1	NSO2	NSO3	NSO4
	OSO1	OSO2	OSO3	OSO4

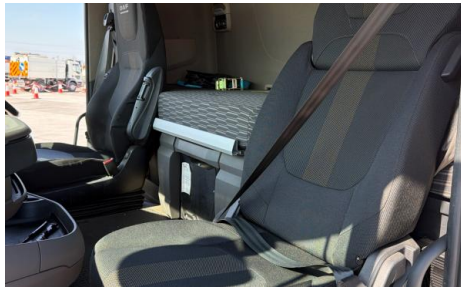
Features

- Bluetooth connection
- Air conditioning
- Cruise control
- Front electric windows
- Digital radio
- Central locking
- Electric sunroof
- Cloth seat trim

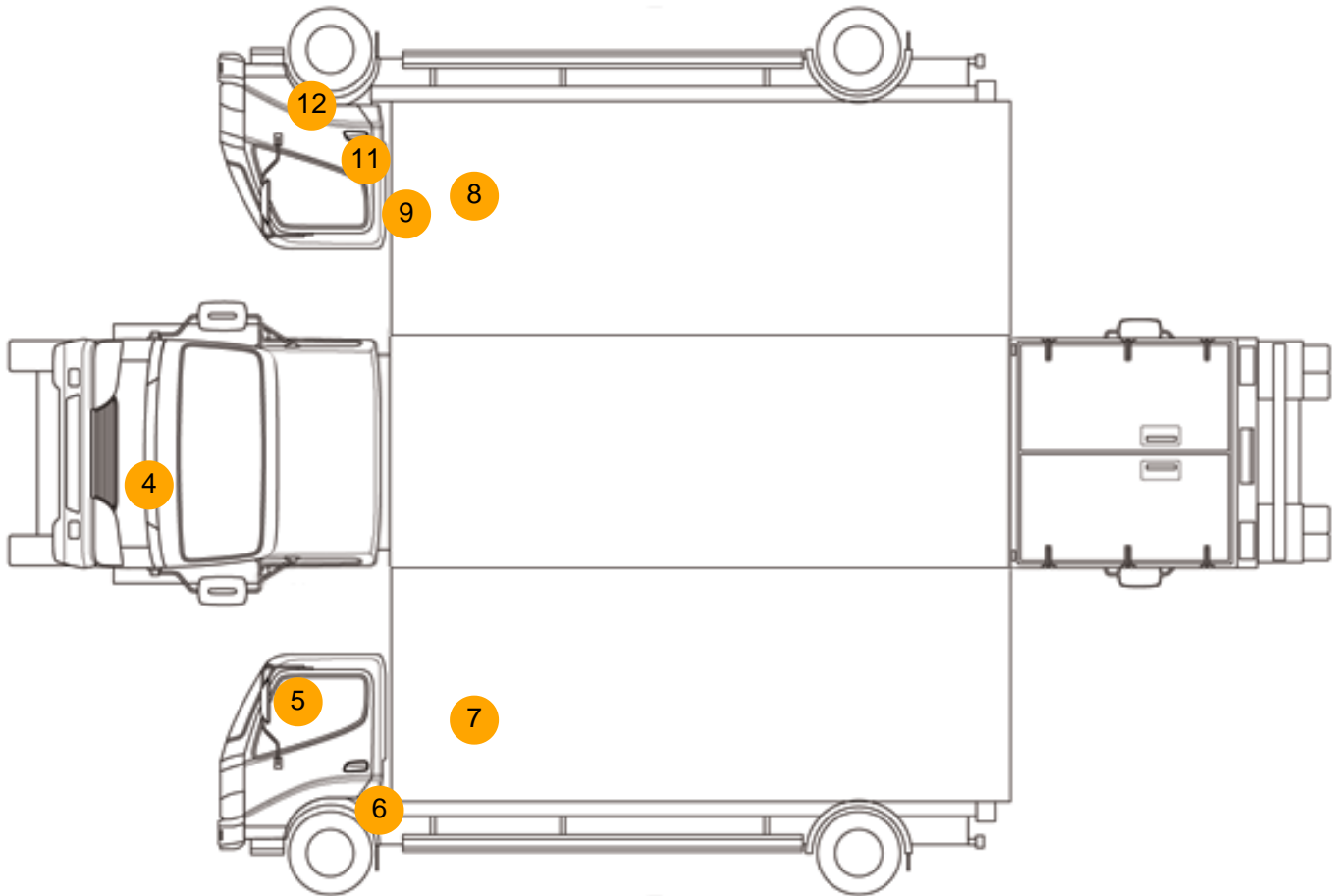
Photos







Condition Check



Damage Photos



1: Fascia Trim
Missing
Replace



2: Dash Warning Lights
Displayed
No Action



3: Fascia Panel
Missing
Replace

4: Bonnet
Chipped
Multiple Chips



5: Door Mirror Assy nsf
Scuffed (Unpainted)
Over 100mm

6: Wing Front Arch Extension ns
Scratched (Painted)
Over 25mm Thru Paint



7: Panel Rear
Missing
Replace

8: Panel Rear
Missing
Replace



9: Qtr Panel osr
Dented
With Paint Damage

10: Door osf
Chipped
Multiple Chips



11: Handle Outer osf
Missing
Replace

12: Wing Front Arch Extension os
Scratched (Painted)
Over 25mm Thru Paint

Interior

Carpet Condition OK
Seat Condition OK

Upholstery Condition OK
Odour -

Engine Runs	OK	No Excessive Smoking	OK
EML light illuminated	Fault	DPF light illuminated	OK
ABS light illuminated	OK		