



COMMERCIAL VEHICLE AUCTIONS LTD
THE UK'S MOST ESTABLISHED COMMERCIAL VEHICLE AUCTIONEERS

Carr Hill Industrial Estate
Doncaster
DN4 8DE

01302 732600 | cva.noreply@cva-auctions.co.uk

VEHICLE INSPECTION REPORT

SJ17NKU

Iveco Daily 50-150

Inspection

Serious Damage? No

Vehicle

VAT Plus VAT

V5 Present

Details

Reg. date 03/05/2017

Year 2017

Mileage 79,980 Miles
Warranted

Fuel Type Diesel

GVW 5200kg

Colour BLUE

VIN ZCFC150B505139920

Body Style Tipper

MOT Due 30/06/2026

CAP Clean £8,125.00

CAP Average £6,775.00

CAP Below £5,025.00

Gearbox MANUAL

TOW BAR

Tyres

NSF

NSR

OSF

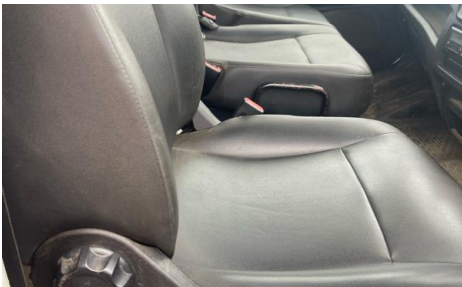
OSR

Spare

Features

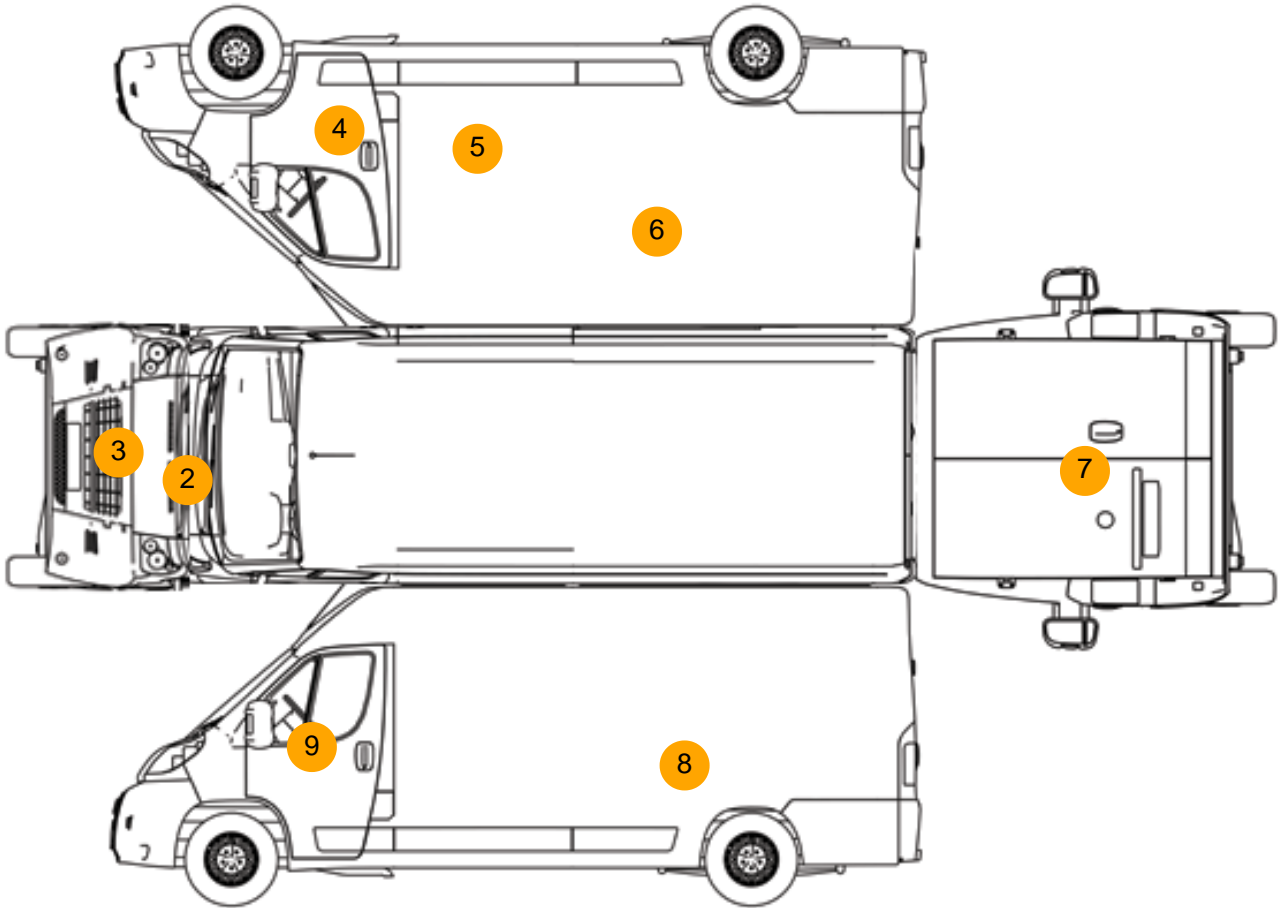
- Radio/CD
- Front electric windows
- Central locking

Photos





Condition Check



Damage Photos



1: Seat Base Cover of
Torn
Over 3mm



2: Bonnet
Dented
Over 2 Up To 10mm



3: Bumper Front
Poor Previous Repair
Poor Paint

4: Door osf
Dented
Over 30mm



5: Door nsr
Dented
Over 30mm

6: Qtr Panel osr
Dented
With Paint Damage



7: Tailgate
Dented
With Paint Damage

8: Qtr Panel nsr
Dented
With Paint Damage



9: Door nsf
Dented
Over 30mm

Interior

Carpet Condition	Average	Upholstery Condition	Average
Seat Condition	Average	Odour	No
Engine Runs	OK	Gearbox 1st and Reverse Test	OK
Brakes	OK	Clutch Slip Test from Static	OK
Turbo Boosting	OK	Gearbox Static Gear Selection (engine running)	OK
Parking Brake	OK	No Excessive Smoking	OK
EML light illuminated	OK	Oil warning light illuminated	OK
Airbag light illuminated	OK	DPF light illuminated	OK
ABS light illuminated	OK	Service indicator light illuminated	OK
Windows	OK	Radio	OK
		Steering	OK