



**COMMERCIAL VEHICLE AUCTIONS LTD**  
THE UK'S MOST ESTABLISHED COMMERCIAL VEHICLE AUCTIONEERS

Carr Hill Industrial Estate  
Doncaster  
DN4 8DE

01302 732600 | cva.noreply@cva-auctions.co.uk

# VEHICLE INSPECTION REPORT

**SJ17NKX**

## Iveco Daily 50-150

Inspection		Vehicle	
Serious Damage?	No	VAT	Plus VAT
		V5	Present

Details			
Reg. date	28/04/2017	GVW	5200kg
Year	2017	Colour	BLUE
Mileage	91,159 Miles Warranted	VIN	ZCFC150B705139918
Fuel Type	Diesel	Body Style	Tipper Double Cab
		CAP Clean	£7,600.00
		CAP Average	£6,325.00
		CAP Below	£4,700.00
		Gearbox	MANUAL

\*WARNING LIGHT ON DASH\* TOW BAR,

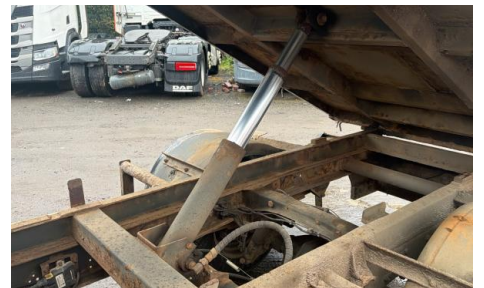
Tyres	
NSF	
NSR	
OSF	
OSR	
Spare	

## Features

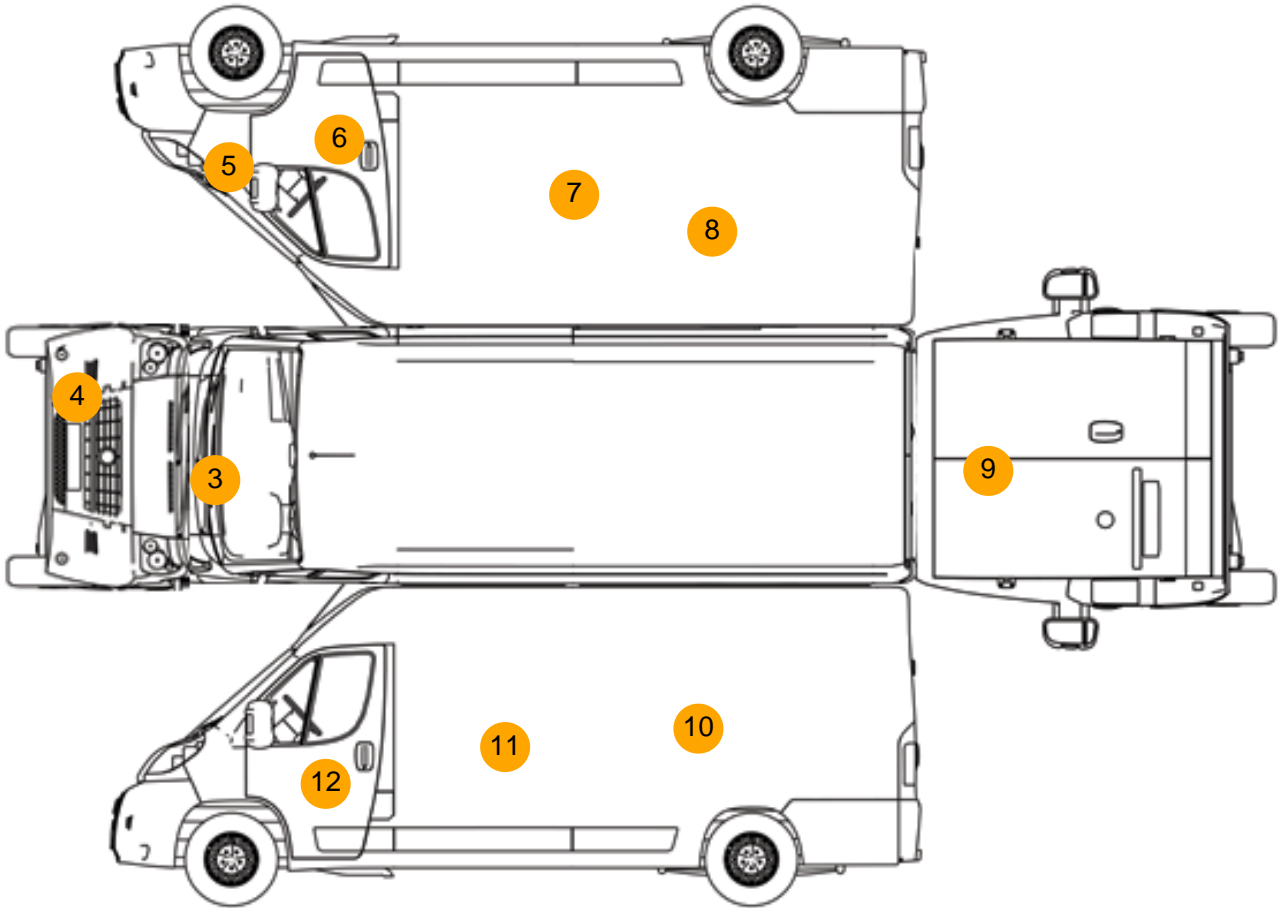
- Radio/CD
- Front electric windows
- Central locking

## Photos





## Condition Check



## Damage Photos



1: Carpets Front  
Torn  
Over 10mm

2: Seat Base Cover of  
Torn  
Over 3mm



3: Bonnet  
Dented  
2 Or Less Up To 10mm

4: Bumper Front  
Poor Previous Repair  
Paint Flake



5: Wing osf  
Dented  
With Paint Damage

6: Door osf  
Dented  
With Paint Damage



7: Door osr  
Dented  
With Paint Damage

8: Qtr Panel osr  
Dented  
With Paint Damage



9: Tailgate  
Dented  
With Paint Damage

10: Qtr Panel nsr  
Dented  
With Paint Damage



11: Door nsr  
Dented  
With Paint Damage

12: Door nsf  
Dented  
With Paint Damage

**Interior**

Carpet Condition	Average	Upholstery Condition	Average
Seat Condition	Average	Odour	No
Engine Runs	OK	Gearbox 1st and Reverse Test	OK
Brakes	OK	Clutch Slip Test from Static	OK
Turbo Boosting	OK	Gearbox Static Gear Selection (engine running)	OK
Parking Brake	OK	No Excessive Smoking	OK
EML light illuminated	OK	Oil warning light illuminated	OK
Airbag light illuminated	OK	DPF light illuminated	OK
ABS light illuminated	OK	Service indicator light illuminated	OK

Windows

OK

Radio

OK

Steering

OK