



**COMMERCIAL VEHICLE AUCTIONS LTD**  
THE UK'S MOST ESTABLISHED COMMERCIAL VEHICLE AUCTIONEERS

Carr Hill Industrial Estate  
Doncaster  
DN4 8DE

01302 732600 | cva.noreply@cva-auctions.co.uk

# VEHICLE INSPECTION REPORT

**SJ17NKW**

## Iveco Daily 50-150

Inspection		Vehicle	
Serious Damage?	No	VAT	Plus VAT
		V5	Present

Details					
Reg. date	28/04/2017	Colour	BLUE	CAP Average	£6,500.00
Year	2017	VIN	ZCFC150B905139919	CAP Below	£4,825.00
Mileage	139,372 Km Warranted	Body Style	Tipper Double Cab	Gearbox	MANUAL
Fuel Type	Diesel	MOT Due	31/05/2026		
GVW	5200kg	CAP Clean	£7,800.00		

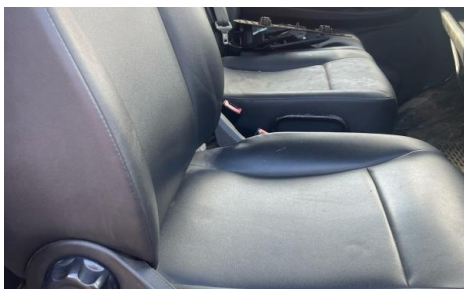
\*WARNING LIGHTS ON DASH\* TOW BAR

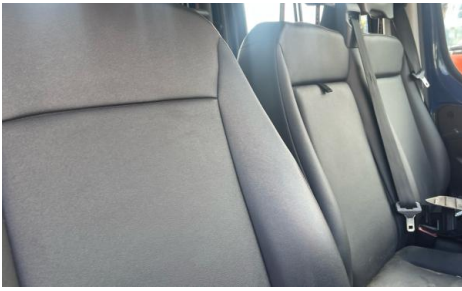
Tyres	
NSF	
NSR	
OSF	
OSR	
Spare	

## Features

- Radio/CD
- Front electric windows
- Central locking

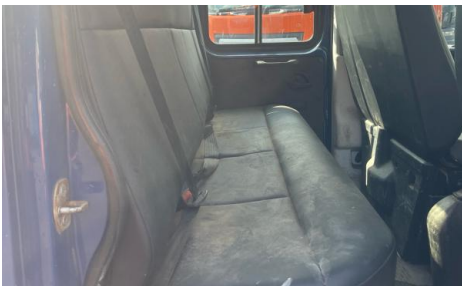
## Photos



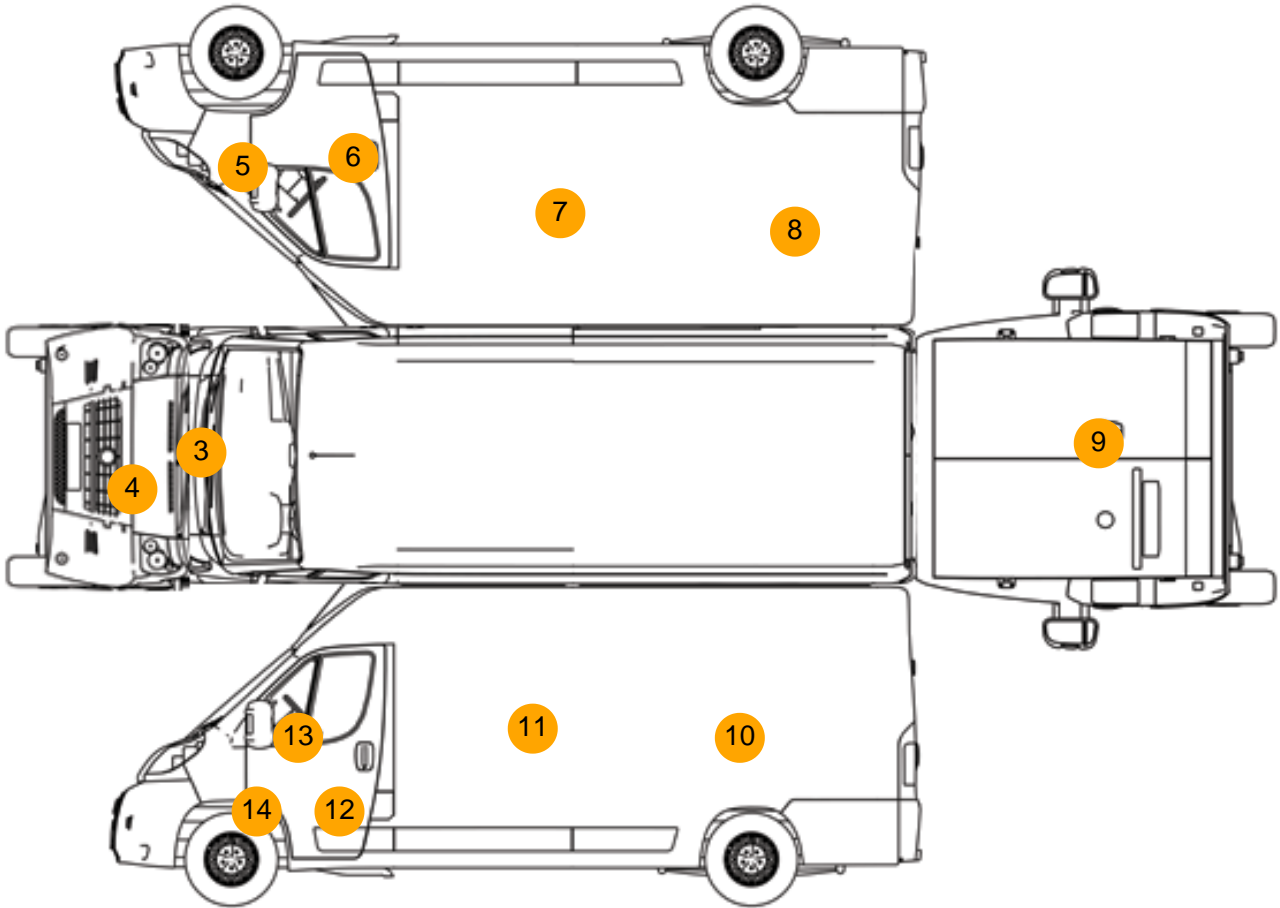


Function		Model		IVECO /50C15		Year of Original Registration		28/04/17		Year of Manufacture		2017	
(1)	Description of Weights Applicable to Vehicle	(2)	RIGID	(3)	Weights All to be exceeded in G.V. laden	(4)	Design Weight of vehicle (See note 2)	(5)	Design Weight of vehicle (See note 2)	(6)	Design Weight of vehicle (See note 2)	(7)	Design Weight of vehicle (See note 2)
	Gross Weight		5700		5200		5700		5200		5700		5200
	Train Weight												
	Max Train Weight												
	Axle Weights												
	Axle 1		2100		2100		2100		2100		2100		2100
	Axle 2		3700		3700		3700		3700		3700		3700
	Axle 3												
	Axle 4												

DEPARTMENT FOR TRANSPORT GREAT BRITAIN  
REPLACEMENT



## Condition Check



## Damage Photos



1: Carpets Front  
Torn  
Over 10mm



2: Seat Base Cover of  
Torn  
Over 3mm



3: Bonnet  
Dented  
Over 30mm

4: Bumper Front Moulding  
Broken  
Replace



5: Wing osf  
Dented  
With Paint Damage

6: Door osf  
Chipped  
Edge Chip



7: Door osr  
Dented  
With Paint Damage

8: Qtr Panel osr  
Dented  
With Paint Damage



9: Tailgate  
Hole  
UpTo 10mm

10: Qtr Panel nsr  
Dented  
With Paint Damage



11: Door nsr  
Dented  
With Paint Damage

12: Door nsf  
Dented  
With Paint Damage



13: Flasher Side Repeater ns  
Broken  
Replace

14: Wing nsf  
Dented  
With Paint Damage

**Interior**

<b>Carpet Condition</b>	Poor	<b>Upholstery Condition</b>	Poor
<b>Seat Condition</b>	Poor	<b>Odour</b>	No
Engine Runs	OK	Gearbox 1st and Reverse Test	OK
Brakes	Fault	Clutch Slip Test from Static	OK
Turbo Boosting	OK	Gearbox Static Gear Selection (engine running)	OK
Parking Brake	OK	No Excessive Smoking	OK
EML light illuminated	Fault	Oil warning light illuminated	OK
Airbag light illuminated	OK	DPF light illuminated	OK
ABS light illuminated	OK	Service indicator light illuminated	OK
		Radio	OK
		Steering	OK