



**COMMERCIAL VEHICLE AUCTIONS LTD**  
THE UK'S MOST ESTABLISHED COMMERCIAL VEHICLE AUCTIONEERS

Carr Hill Industrial Estate  
Doncaster  
DN4 8DE

01302 732600 | cva.noreply@cva-auctions.co.uk

# VEHICLE INSPECTION REPORT

**SJ17NKN**

## Iveco Eurocargo 75-160

### Inspection

Serious Damage? No

### Vehicle

VAT Plus VAT

V5 Present

### Details

Reg. date 31/03/2017

Year 2017

Mileage 145,520 Km Not Warranted

Fuel Type Diesel

GVW 7500kg

Colour WHITE

VIN ZCFA775B802653045

Body Style Tipper

MOT Due 30/06/2026

Cab Type DAY CAB

Gearbox Automatic

Axle Combi 4x2

Rear Suspension Steel

Tail Lift Column

### Tyres

NSF NSI1

NSI2

NSI3 NSI4

OSF OSI1

OSI2

OSI3 OSI4

Spare NSO1

NSO2

NSO3 NSO4

OSO1

OSO2

OSO3

OSO4

## Features

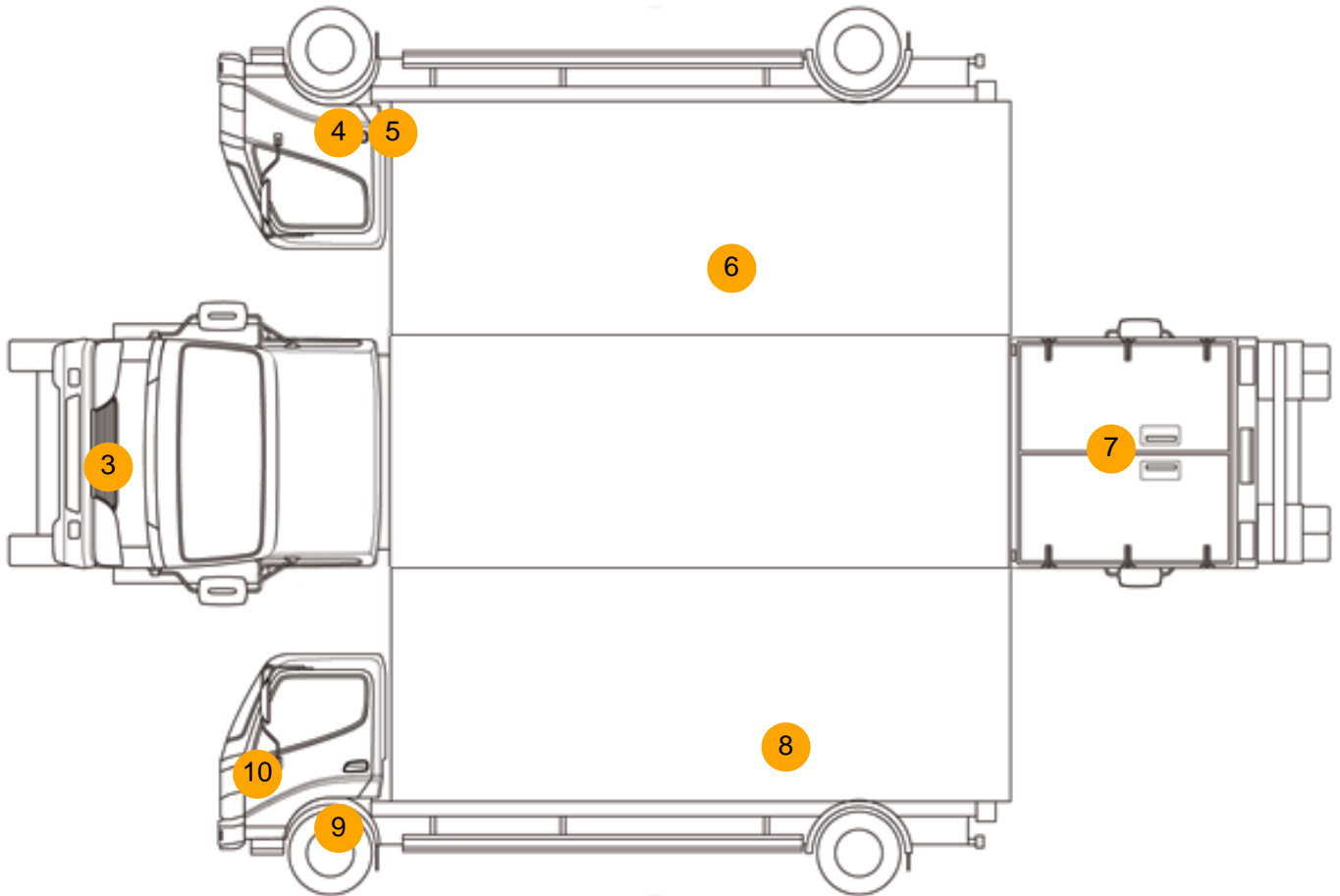
- Radio/CD

## Photos





## Condition Check



## Damage Photos



1: Carpets Front  
Torn  
Over 10mm

2: Seat Base Cover of  
Torn  
Over 3mm



3: Bumper Front Moulding  
Scuffed (Unpainted)  
Over 100mm

4: Door osf  
Dented  
Over 30mm



5: Door Moulding osf  
Scuffed (Unpainted)  
Over 100mm

6: Qtr Panel osr  
Hole  
Over 10mm



7: Tailgate  
Dented  
With Paint Damage

8: Qtr Panel nsr  
Hole  
Over 10mm



9: Door Moulding nsf  
Scuffed (Unpainted)  
Over 100mm

10: Wing nsf  
Scratched  
Over 25mm Not Thru Paint

**Interior**

Carpet Condition	Poor	Upholstery Condition	Average
Seat Condition	Average	Odour	-
Engine Runs	OK	Gearbox 1st and Reverse Test	OK
Brakes	OK	Clutch Slip Test from Static	OK
Turbo Boosting	OK	Gearbox Static Gear Selection (engine running)	OK
Parking Brake	OK	No Excessive Smoking	OK
EML light illuminated	OK	Oil warning light illuminated	OK
Airbag light illuminated	OK	DPF light illuminated	OK
ABS light illuminated	OK	Service indicator light illuminated	OK
Windows	OK	Radio	OK
		Steering	OK