



COMMERCIAL VEHICLE AUCTIONS LTD
THE UK'S MOST ESTABLISHED COMMERCIAL VEHICLE AUCTIONEERS

Carr Hill Industrial Estate
Doncaster
DN4 8DE

01302 732600 | cva.noreply@cva-auctions.co.uk

VEHICLE INSPECTION REPORT

DX70TEY

DAF LF 180

Inspection

Serious Damage? No

Vehicle

VAT Plus VAT
V5 To Follow

Details

Reg. date	28/10/2020	VIN	XLRAEL1500L495423	Axle Combi	4x2
Year	2020	Body Style	Box Van	Rear Suspension	Steel
Mileage	231,900 Km Warranted	MOT Due	31/10/2026	Rear Doors	Roller
Fuel Type	Diesel	Cab Type	DAY CAB	Tail Lift	Column
Colour	WHITE	Gearbox	MANUAL		

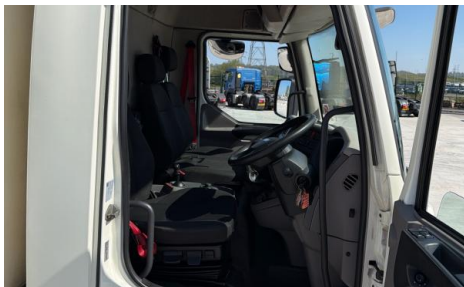
Tyres

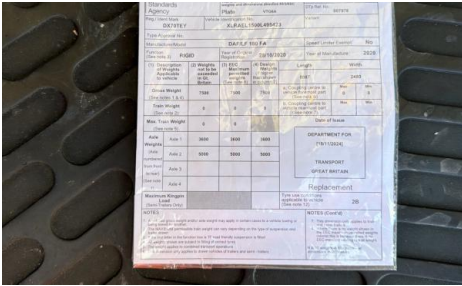
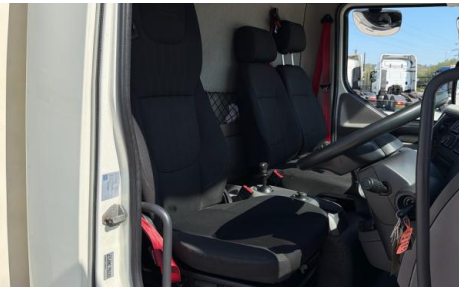
NSF	NSI1	NSI2	NSI3	NSI4
OSF	OSI1	OSI2	OSI3	OSI4
Spare	NSO1	NSO2	NSO3	NSO4
	OSO1	OSO2	OSO3	OSO4

Features

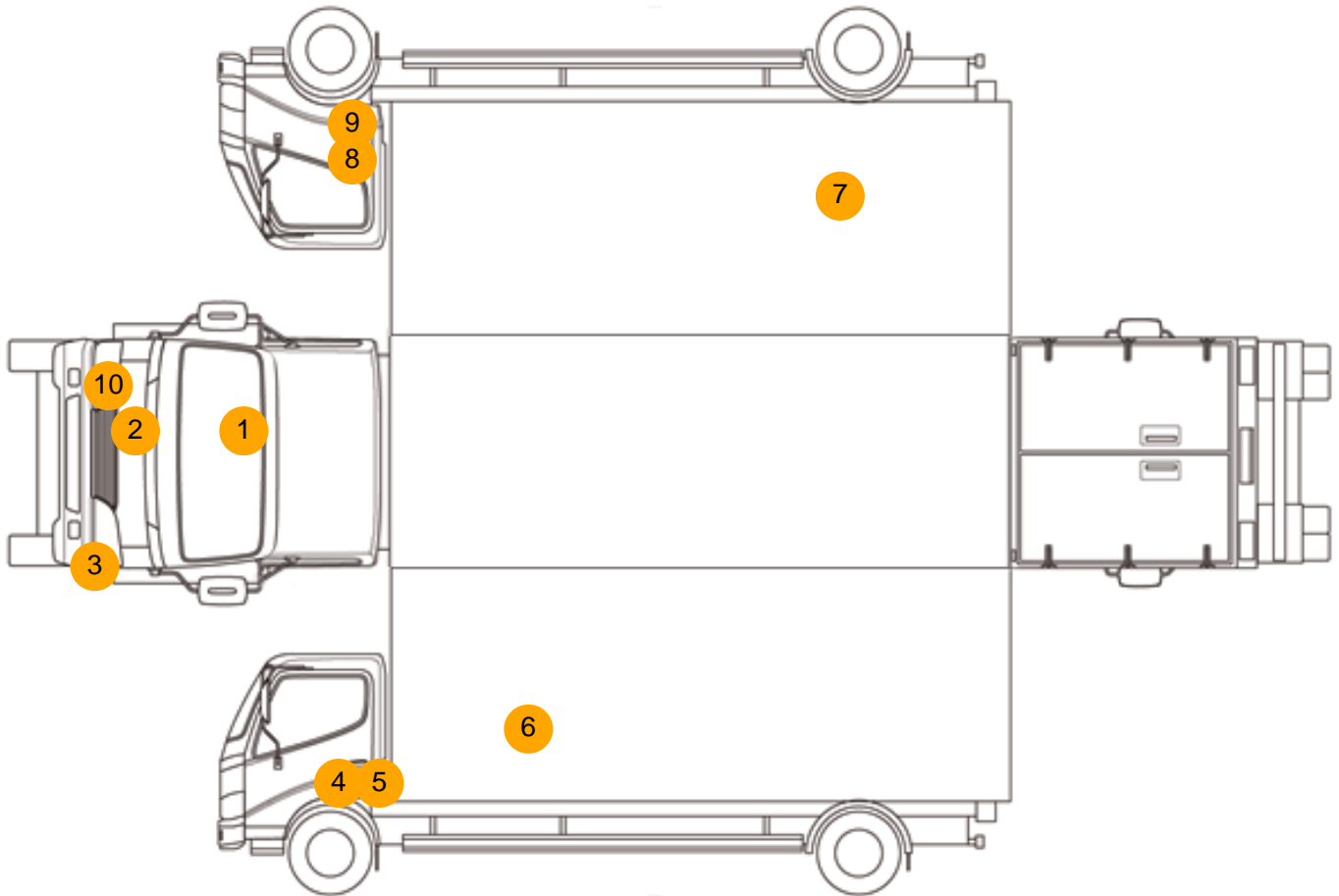
- Cruise control
- Cloth seat trim
- Radio/CD
- Front electric windows
- Central locking

Photos





Condition Check



Damage Photos



1: Screen Front
Cracked
Replace

2: Bonnet
Chipped
Multiple Chips



3: Bumper Front
Rusted
Up To 5mm



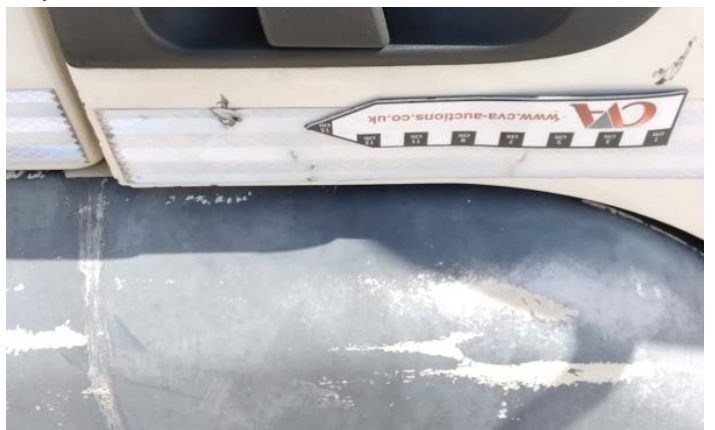
4: Door nsf
Scratched
Over 25mm Thru Paint



5: Door nsf
Scratched
Rusted



6: Qtr Panel nsr
Cracked
Replace



7: Qtr Panel osr
Scratched
Over 25mm Thru Paint

8: Door osf
Scratched
Over 25mm Thru Paint



9: Qtr Panel Arch Extension os
Scuffed (Unpainted)
Over 100mm

10: Bumper Front
Rusted
Over 5mm

Interior

Carpet Condition OK
Seat Condition OK

Upholstery Condition OK
Odour -