



COMMERCIAL VEHICLE AUCTIONS LTD
THE UK'S MOST ESTABLISHED COMMERCIAL VEHICLE AUCTIONEERS

Carr Hill Industrial Estate
Doncaster
DN4 8DE

01302 732600 | cva.noreply@cva-auctions.co.uk

VEHICLE INSPECTION REPORT

WV17KGA

Ford Ranger 2.2 TDCi 150PS

Inspection		Vehicle	
Serious Damage?	No	VAT	Plus VAT
		V5	Buyer To Apply

Details

Reg. date	26/05/2017	Colour	WHITE	CAP Average	£4,425.00
Year	2017	VIN	6FPGXXMJ2GGY21828	CAP Below	£3,250.00
Mileage	111,373 Miles Warranted	Body Style	Pickup Double Cab	Gearbox	MANUAL
Fuel Type	Diesel	MOT Due	30/05/2026	Gears	6
GVW	3200kg	CAP Clean	£5,275.00	Axle Combi	4x4

BATTERY ISSUES, ONLY RUNS WITH BOOST PACK, CORROSION, SUSPECTED HEAD GASKET FAILURE, OUTSTANDING RECALL HEATED WINDSCREEN, AD-BLUE, V5 NEW KEEPER DOCUMENT REFERENCE NUMBER AVAILABLE FOR TAXATION PURPOSES

Tyres

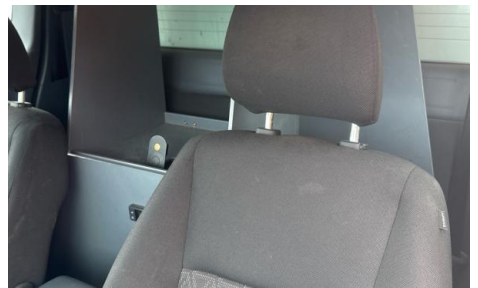
NSF
NSR
OSF
OSR
Spare

Features

- Bluetooth connection
- Air conditioning
- Central locking
- Park assist camera
- Front electric windows
- Cloth seat trim
- Auxiliary input socket
- Drivers airbag
- Digital radio
- Passenger airbag

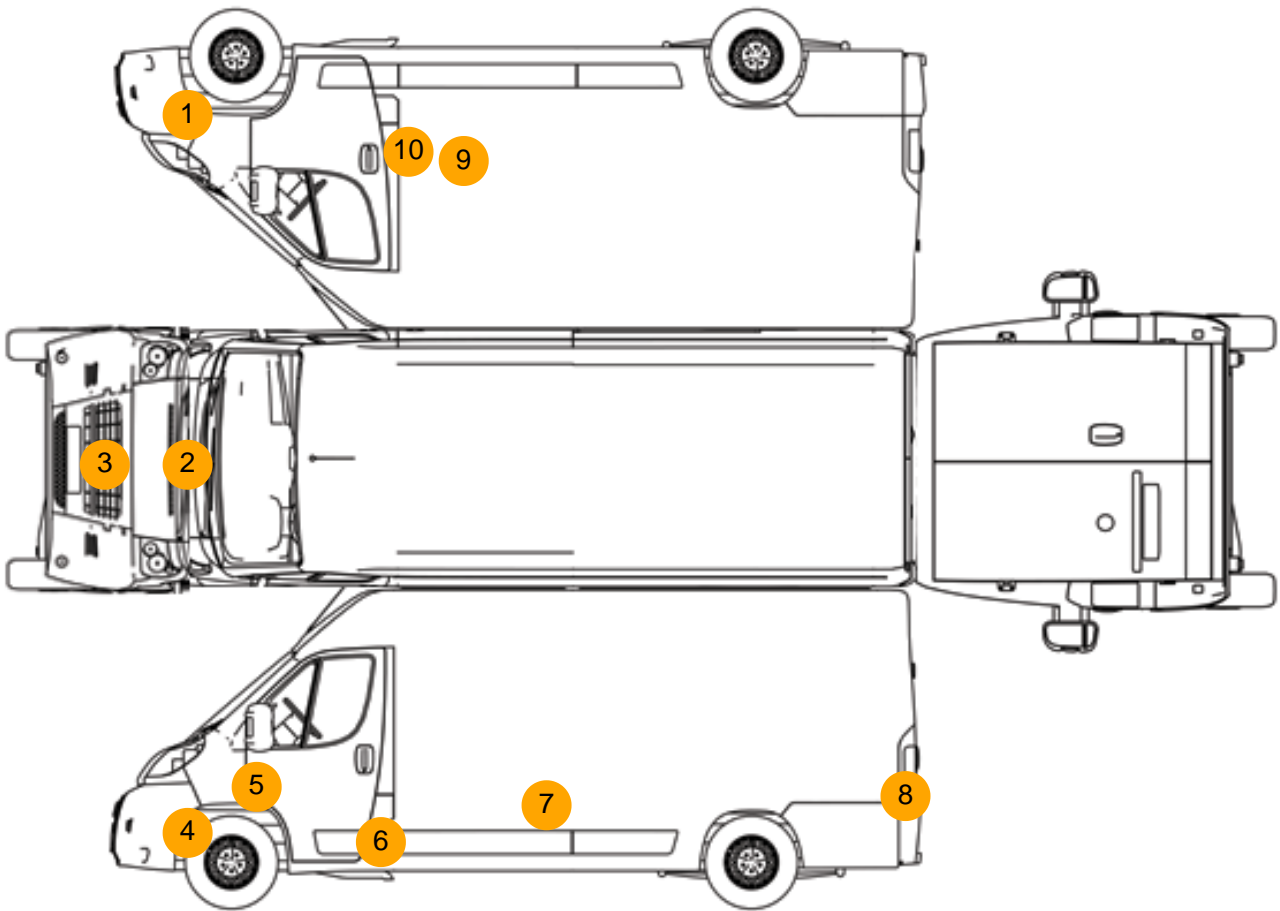
Photos







Condition Check



Damage Photos



1: Bumper Front
Scratched
Over 100mm Thru Paint

2: Bonnet
Chipped
Multiple Chips



3: Number Plate Front
Broken
Replace

4: Bumper Front
Scratched
Over 100mm Thru Paint



5: Wing nsf
Scratched
Over 25mm Not Thru Paint

6: Door nsf
Dented
With Paint Damage



7: Qtr Panel nsr
Rusted
Over 5mm

8: Qtr Panel nsr
Dented
Over 30mm



9: Qtr Panel osr
Chipped
Multiple Chips

10: Door osf
Dented
With Paint Damage



11: Seat Base Cover osf
Soiled
Heavy

12: Seat Base Cover nsf
Soiled
Heavy

Interior

Carpet Condition
Seat Condition

OK
Poor

Upholstery Condition
Odour

OK
No

Engine Runs	Fault	No Excessive Smoking	OK
EML light illuminated	OK	DPF light illuminated	OK
ABS light illuminated	OK		